

Brush Base Assembly

Model :99765 BR 28/30

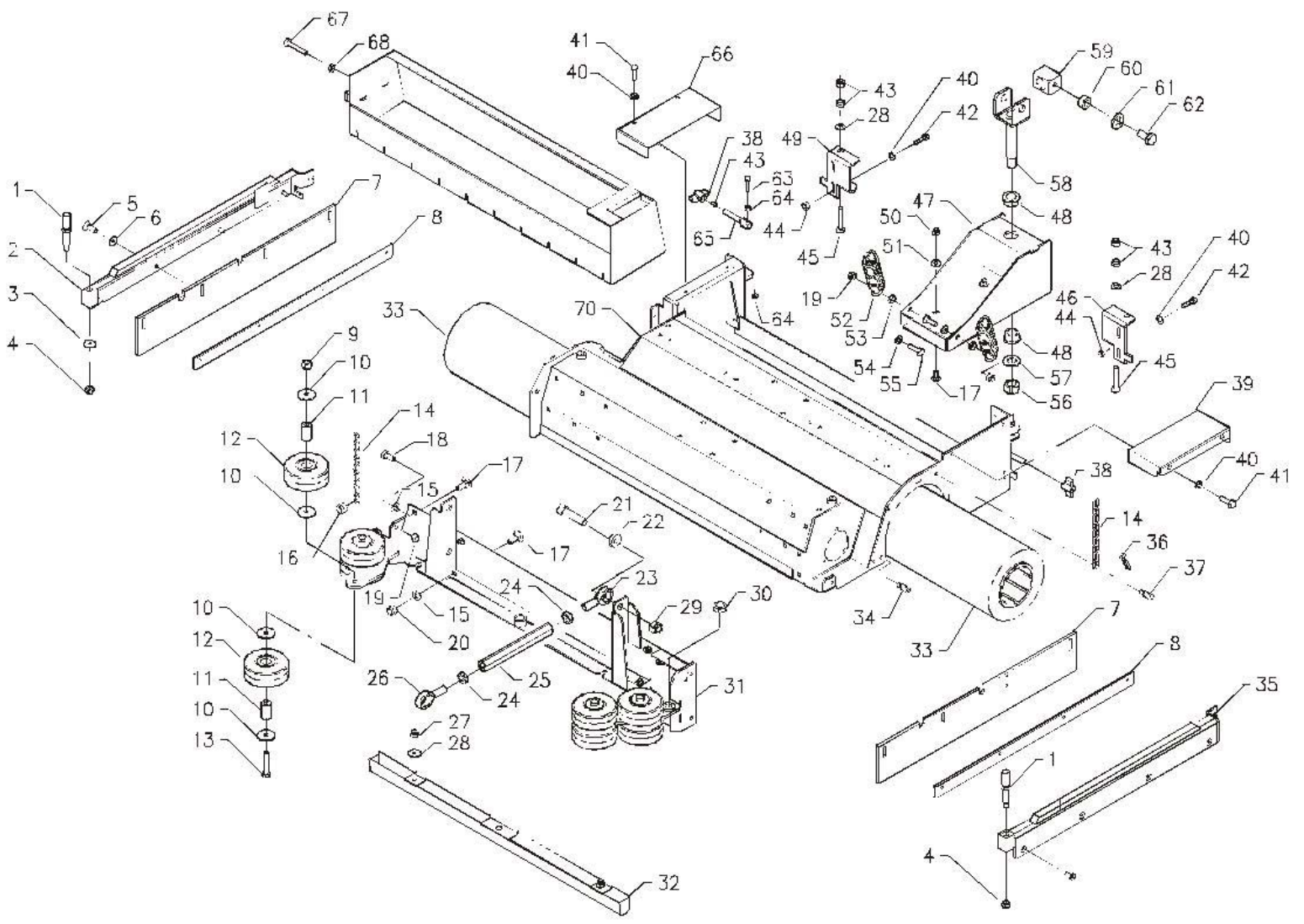
	Number	Description	Qty Req.
1	20606130	PIN	2
2	20606480	SUPPORT SPLASH GUARD RIGHT	1
3	60308004	WASHER	2
4	60220801	NUT, LOCK	2
5	60180606	SCREW S.S.	8
6	60506001	WASHER, LOCK	8
7	48606030	SPLASH GUARD	2
8	20606500	BLADE SPLASH GUARD	2
9	60220802	NUT, LOCK	4
10	60308009	WASHER	16
11	47101040	BUSHING	4
12	46541010	WHEEL, BUMPER GREY	8
13	60110838	SCREW	4
14	20606460	CHAIN	2
15	60306003	WASHER	4
16	60220601	NUT, LOCK	2
17	60100603	SCREW S.S.	5
18	60110807	SCREW	2
19	60220801	NUT, LOCK	4
20	60220603	NUT, LOCK	2
21	60131209	SCREW	4
22	47006010	SPACER	4
23	61451201	HEAD, ARTICULATION	4
24	60211201	NUT	8
25	20603040	ARM, BRUSH BASE CONTROL	4
26	61451202	HEAD, ARTICULATION	4
27	60220803	NUT, LOCK S.S.	2
28	60308003	WASHER S.S.	4
29	60221201	NUT, LOCK	4
30	60211403	NUT	2
31	20606410	SUPPORT ARM	1
32	20606430	DISTRIBUTOR	1
33	48906020	BRUSH	2
34	20606120	PIN	2
35	20606490	SUPPORT, SPLASH GUARD LEFT	1
36	60800001	CLIP, GALVANIZED	2
37	20606310	PIN	2
38	61708005	HANDWHEEL	2
39	20606450	BASE COVER LEFT	1
40	60506004	WASHER, LOCK	4
41	60110604	SCREW	2
42	60110610	SCREW S.S.	2
43	60220803	NUT, LOCK S.S.	6
44	60220602	NUT, LOCK S.S.	2
45	60110822	SCREW S.S.	2
46	20606260	SUPPORT KNOB LEFT	1
47	20606160	BASE COUPLING	1
48	47103090	BUSHING	2
49	20606250	SUPPORT KNOB RIGHT	1
50	60220601	NUT, LOCK	1
51	60306007	WASHER	1
52	47220170	TRACTION SPRING	2
53	60210805	NUT	2
54	60508001	WASHER, LOCK	2
55	60110809	SCREW	2
56	60221601	NUT, LOCK	1
57	60317003	WASHER	1
58	20606190	PIN	1
59	20606180	JOINT	1
60	47103080	BUSHING	1
61	60508005	WASHER	1
62	60110803	SCREW	1

Brush Base Assembly

Model :99765 BR 28/30

	Number	Description	Qty Req.
63	60110616	SCREW S.S.	2
64	60210606	NUT S.S.	4
65	60220803	NUT, LOCK S.S.	2
66	20606440	BASE COVER RIGHT	1
67	60110611	SCREW S.S.	1
68	60210606	NUT S.S.	1
70	20606400	TUNNEL	1

Brush Base Assembly, Model:99765 BR 28/30

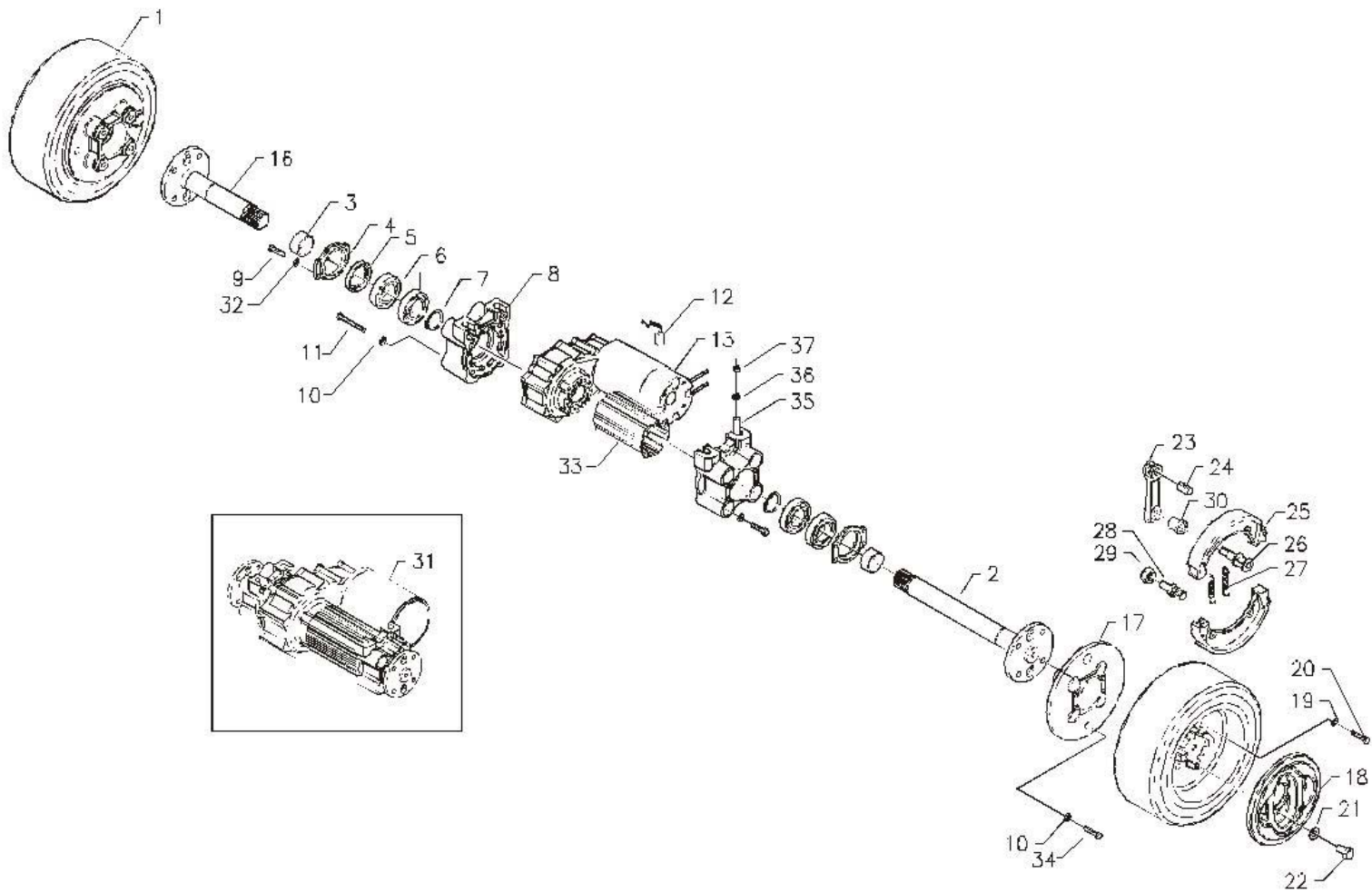


Brake Wheels Geared Motor Assembly

Model :99765 BR 28/30

	Number	Description	Qty Req.
1	46524010	WHEEL	2
2	46706020	AXLE, LONG SHAFT RIGHT	1
3	47103120	BUSHING	2
4	20307020	COVER, SUPPORT	2
5	61235501	OIL SEAL	2
6	61413001	BEARING	4
7	61123001	RING, SEEGER	2
8	20607030	SUPPORT, AXLE SHAFT	2
9	60130601	SCREW	2
10	60508004	WASHER, CONICAL	12
11	60110836	SCREW	2
12	63610181	MOTOR, CARBON BRUSH	4
13	46200200	GEARED MOTOR STANDARD	1
16	46706010	SHAFT, SHORT LEFT	1
17	20607010	SUPPORT, BRAKE	2
18	20307040	COVER, WHEEL	2
19	60510006	WASHER, LOCK	2
20	60111003	SCREW	2
21	60306003	WASHER	2
22	60100690	SCREW	2
23	62403003	LEVER, STRAIGHT BRAKE	2
24	20608090	PIN BRAKE, DRILLED	2
25	62403001	BLOCK, BRAKE	4
26	62403002	PIN, DIVARICATION	2
27	62403004	SPRING WITH HOOKS	4
28	20608050	BOLT, STUD	2
29	60221003	NUT, LOCK	2
30	47106040	BUSHING	2
31	V6206010	GEARED MOTOR ASSEMBLY STANDARD	1
32	60506004	WASHER, LOCK	2
33	20607020	EXTRUDER	1
34	60110850	SCREW	4
35	20607040	BOLT, STUD	4
36	60310002	WASHER	4
37	60221002	NUT, LOCK	4

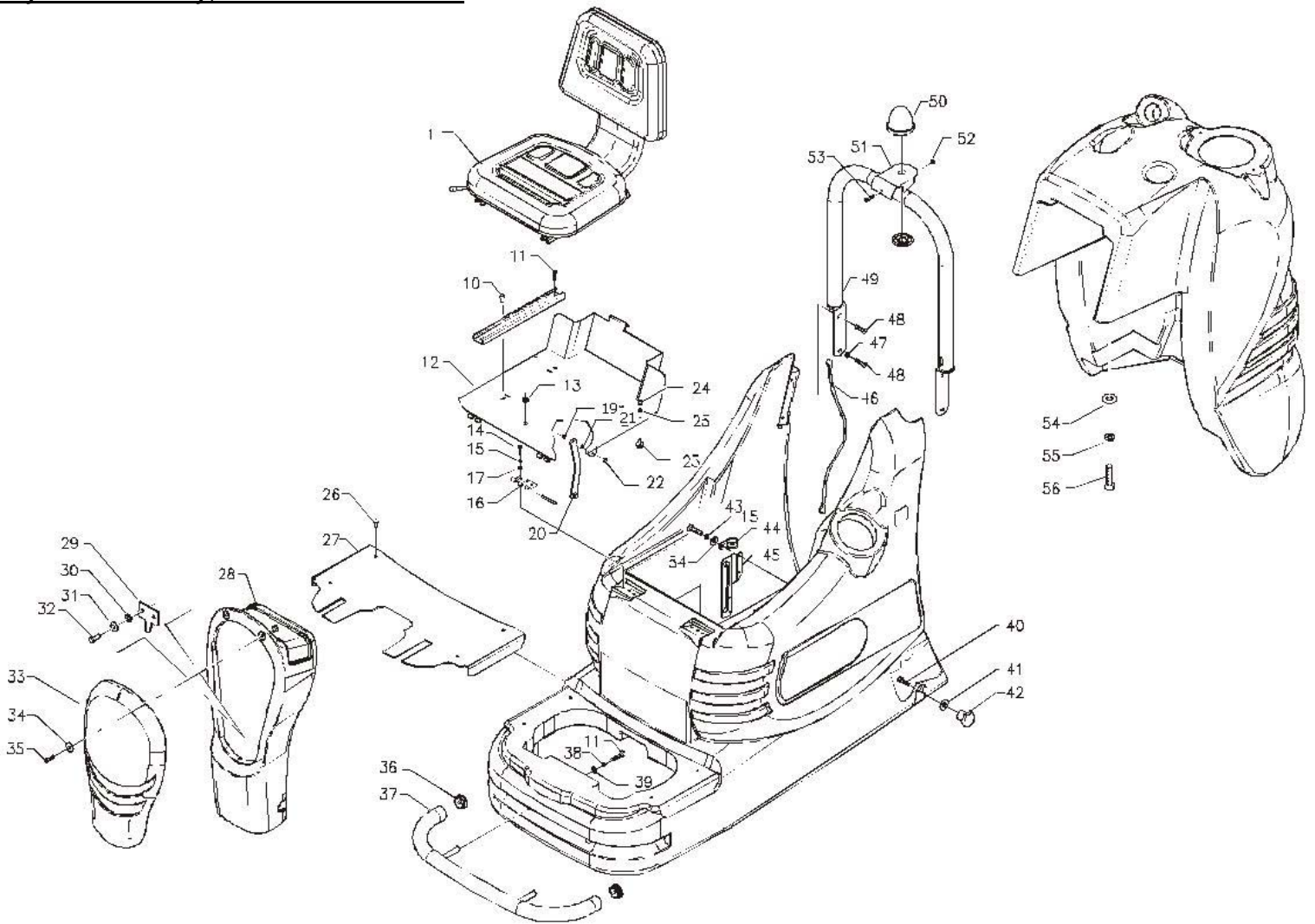
Brake Wheels Geared Motor Assembly, Model:99765 BR 28/30



Bodywork Assembly

Model :99765 BR 28/30

	Number	Description	Qty Req.
1	62408002	SEAT WITH GUIDES AND MICROSWITCH	1
10	60130801	SCREW	1
11	60110807	SCREW	2
12	20611050	BASE SEAT	1
13	63713001	FAIRLEAD	1
14	60110608	SCREW	2
15	60506004	WASHER, LOCK	3
16	62409002	HINGE S.S.	2
17	60306007	WASHER	2
19	60220601	NUT, LOCK	1
20	20611060	BASE, PROP SEAT	1
21	60210601	NUT S.S.	1
22	60110612	SCREW	2
23	62405001	CAP VIBRATION-DAMPING	2
24	60230601	NUT, CAP	2
25	60210608	NUT	2
26	60180603	SCREW S.S.	4
27	20611040	PLATE, BOTTOM	1
28	20611010	COVER, FRONT	1
29	20611030	SUPPORT, FRONT COVER	1
30	60506002	WASHER, LOCK	1
31	60306007	WASHER	1
32	60110612	SCREW	1
33	20611020	COVER, FRONT	1
34	60306003	WASHER	2
35	60130606	SCREW	2
36	62010002	CAP	2
37	20611080	BUMPER	1
38	60309002	WASHER	1
39	60508005	WASHER	1
40	60100808	SCREW	2
41	60514001	WASHER, CONICAL	2
42	47103130	BUSHING	2
43	60110608	SCREW	1
44	61940001	CLIP	1
45	20611100	GUIDE, SEAT PROP	1
46	20610070	CABLE, RECOVERY TANK	1
47	47106050	BUSHING	2
48	60180802	SCREW	2
49	20611070	ROLLBAR	1
50	63709005	LIGHT, WINKING	1
51	20611090	SUPPORT, LIGHT	1
52	60220601	NUT, LOCK	1
53	60110623	SCREW	1
54	60306007	WASHER	2
55	60506004	WASHER, LOCK	1
56	60110608	SCREW	1

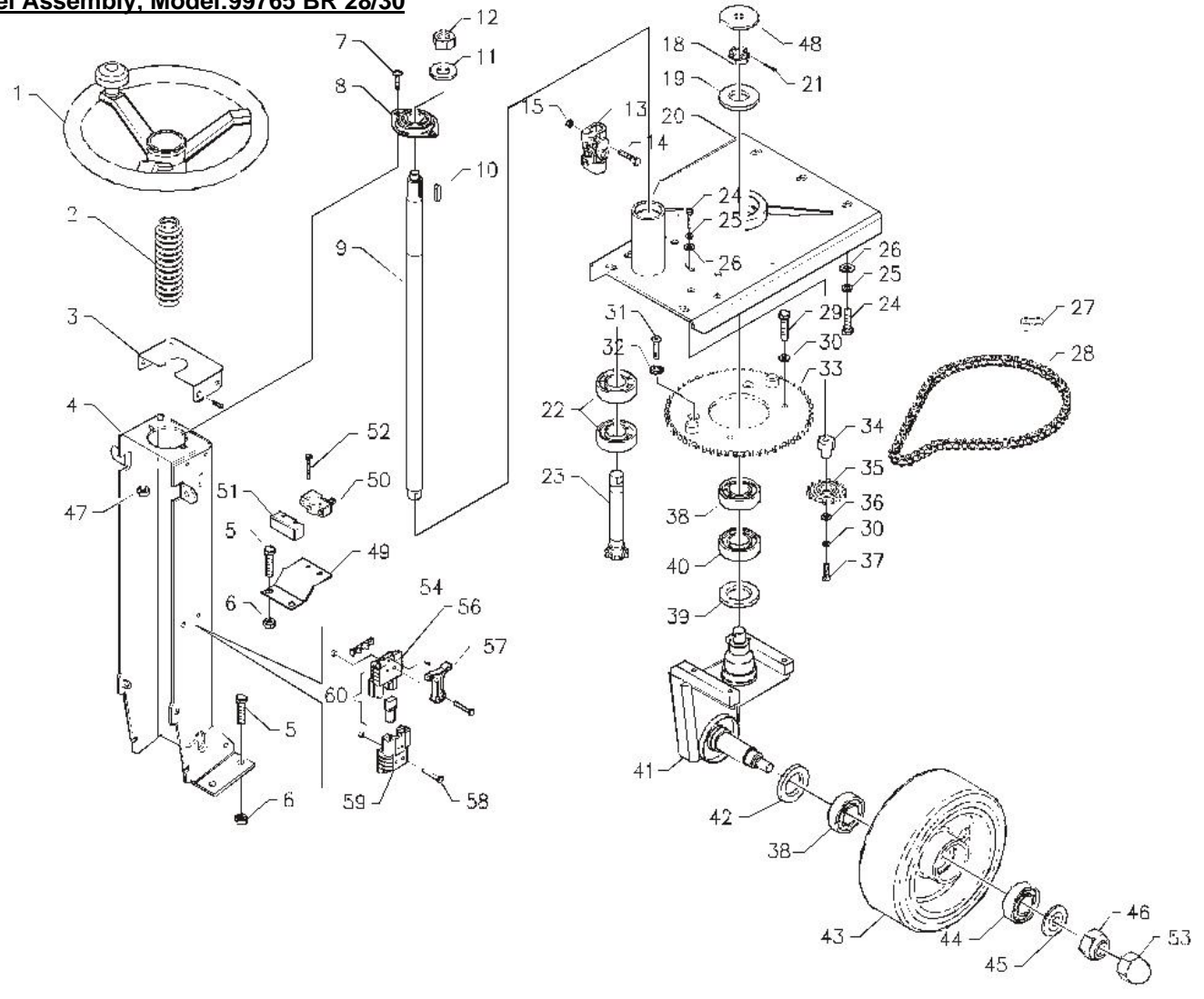


Steering Wheel Assembly

Model :99765 BR 28/30

	Number	Description	Qty Req.
1	49206010	DRIVE WHEEL WITH KNOB	1
2	47650020	FOLDING RUBBER HOSE	1
3	20611110	COVER FRONT FRAME	1
4	46106200	FRONT FRAME	1
5	60111006	SCREW	4
6	60221003	NUT, LOCK	4
7	60100802	SCREW	1
8	61442501	SUPPORT, BEARING	1
9	20609050	SHAFT DRIVE, WHEEL	1
10	60905051	KEY	1
11	60514001	WASHER, CONICAL	1
12	60211403	NUT	1
13	62407001	JOINT, UNIVERSAL	1
14	60110812	SCREW	1
15	60220801	NUT, LOCK	1
18	60242001	NUT	1
19	60321001	WASHER	1
20	20609030	SUPPORT, STEERING WHEEL	1
21	60704010	PIN, SPLIT	1
22	61412001	BEARING	2
23	20609040	SHAFT PINION, STEERING WHEEL	1
24	60111006	SCREW	2
25	60510006	WASHER, LOCK	2
26	60311001	WASHER	2
27	61520001	JOINT, CHAIN	1
28	61510001	CHAIN	1
29	60110809	SCREW	1
30	60508001	WASHER, LOCK	2
31	60180806	SCREW	1
32	60508003	WASHER, LOCK	1
33	46820010	CROWN GEAR, STEERING WHEEL	1
34	20609060	TIGHTENER, PIN CHAIN	1
35	46860010	TIGHTENER, PINION CHAIN	1
36	60309002	WASHER	1
37	60110807	SCREW	1
38	61413005	BEARING	2
39	61252801	OIL SEAL	1
40	61424501	BEARING	1
41	20609010	SUPPORT, FRONT WHEEL	1
42	61238621	OIL SEAL	1
43	46524020	WHEEL	1
44	61412502	BEARING	1
45	20609020	WASHER	1
46	60221601	NUT, LOCK	1
47	60220801	NUT, LOCK	1
48	20609070	CAM, WHEEL	1
49	20609080	SUPPORT, MICROSWITCH	1
50	63409005	MICROSWITCH	1
51	63499005	PROTECTION CAP	1
52	60110403	SCREW S.S.	2
53	62040004	COVER, NUT	1
54	63140002	FAIRLEAD	1
56	63120004	CONNECTOR, LEVER	1
57	63110015	CONNECTOR	1
58	60190418	SCREW	2
59	63140001	POLARIZER ASSEMBLY	1
60	49802023	CABLES	1

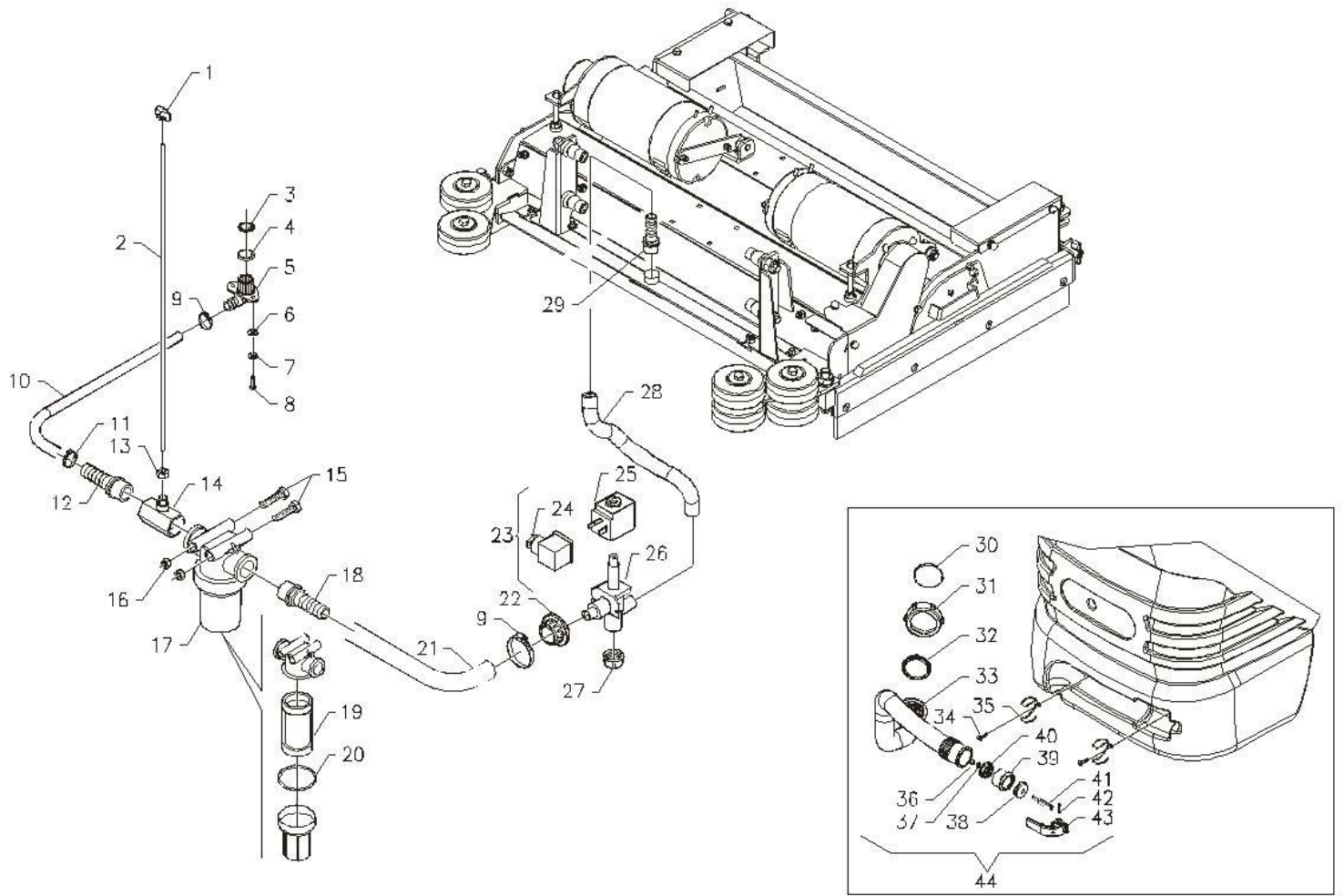
Steering Wheel Assembly, Model:99765 BR 28/30



Water Unit Assembly

Model :99765 BR 28/30

	Number	Description	Qty Req.
1	61810010	KNOB, ADJUSTMENT	1
2	20610020	ROD, SOLUTION VALVE CONTROL	1
3	20310060	COVER, FITTING	1
4	62370004	GASKET	1
5	20310070	FITTING, FLANGED	1
6	20310070	FITTING, FLANGE	1
7	60306007	WASHER	1
8	60506004	WASHER, LOCK	1
9	60110608	SCREW	2
10	47630250	HOSE	1
11	61930002	WRENCH, CLAMP HOSE	1
12	62340100	FITTING, STRAIGHT	1
13	60210608	NUT	1
14	62310002	BODY, SOLUTION VALVE	1
15	60110834	SCREW	2
16	60220801	NUT, LOCK	2
17	47900020	FILTER	1
18	62340080	FITTING, STRAIGHT	1
19	47900030	CARTRIDGE, FILTER	1
20	47900040	GASKET FILTER	1
21	47630210	HOSE	1
22	62370001	COLLAR	1
23	47533010	VALVE, SOLENOID	1
24	47592010	CONNECTOR	1
25	47523010	COIL	1
26	47512020	BODY, SOLENOID VALVE	1
27	62030003	CAP	1
28	47630030	HOSE	1
29	62340120	FITTING, STRAIGHT	1
30	47800040	GASKET, EXHAUST HOSE	1
31	62340090	RING NUT, EXHAUST HOSE	1
32	20610060	FLANGE, HOSE EXHAUST	1
33	47610240	HOSE, EXHAUST	1
34	60180603	SCREW S.S.	2
35	47230080	COUPLER, SPRING MUFF	2
36	60220604	NUT, LOCK S.S.	1
37	60306008	SCREW S.S.	1
38	20110130	PLUG, COVER EXHAUST	1
39	20610040	PLUG, RUBBER EXHAUST	1
40	20110140	PLUG, BOTTOM EXHAUST	1
41	20110170	PLUG, TIE ROD EXHAUST	1
42	60604004	PIN, PARALLEL S.S.	1
43	61820003	LEVER, EXHAUST PLUG	1
44	V0610001	EXHAUST PLUG ASSEMBLY	1

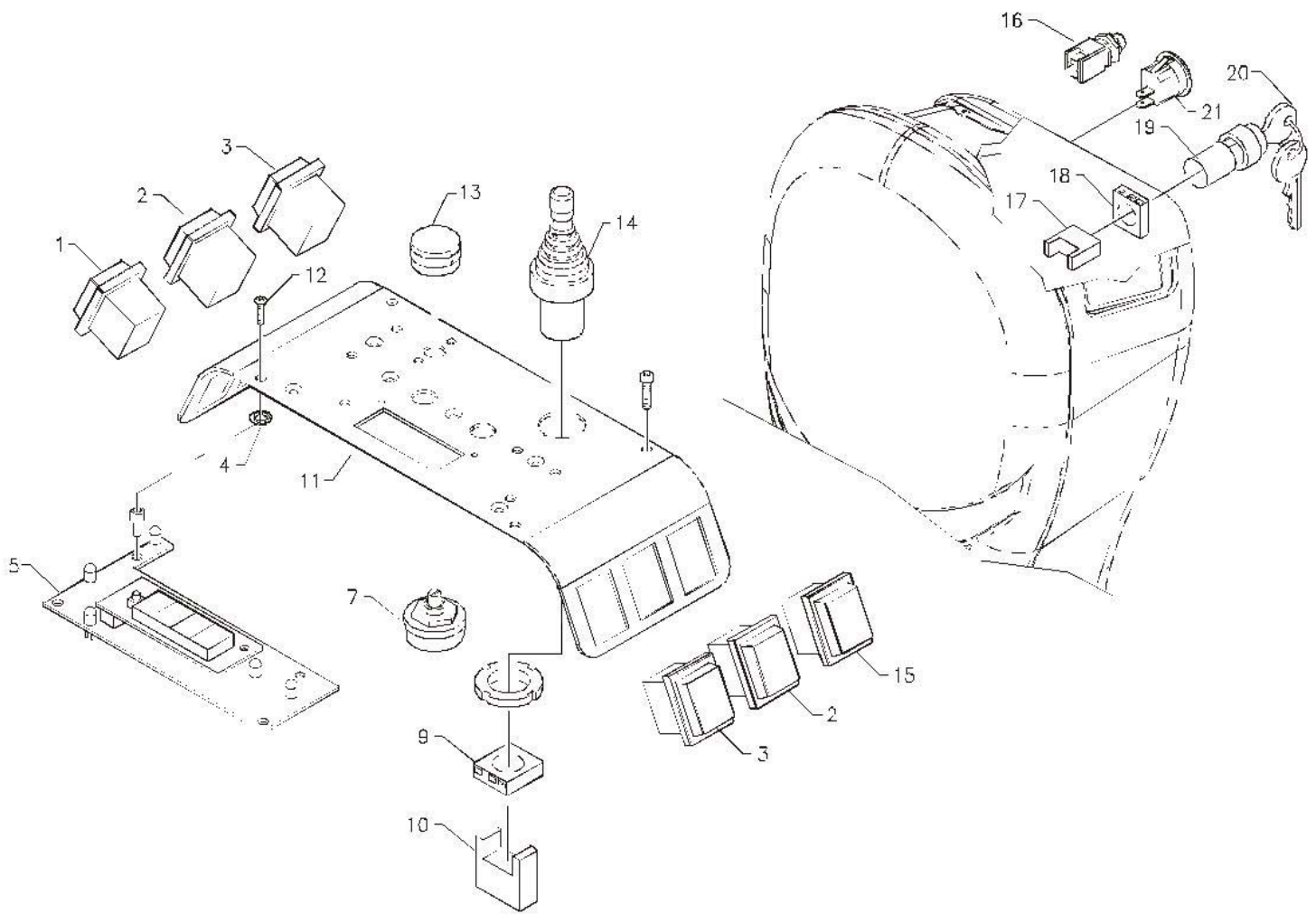


Control Panel Assembly

Model :99765 BR 28/30

	Number	Description	Qty Req.
1	63401003	COMMUTATOR	1
2	63403007	SWITCH, YELLOW	2
3	63403004	SWITCH, GREEN PROTECTED	2
4	60504001	WASHER, LOCK	4
5	49703060	CARD KEYBOARD CONTROL	1
7	63405004	ROTATING COMMUTATOR	1
9	63499002	FLANGE FOR SWITCH	1
10	63413001	CONTACT FOR SWITCH	1
11	20612020	CONTROL PANEL	1
12	60140404	SCREW	4
13	61810011	KNOB, BLACK	1
14	63407001	MANIPULATOR	1
15	63403006	SWITCH, GREEN	1
16	63709004	HORN, PUSH BUTTON	1
17	63413001	CONTACT FOR SWITCH	1
18	63499002	FLANGE FOR SWITCH	1
19	63410001	SWITCH WITH KEYS	1
20	63499003	KEY	1
21	63403008	SWITCH FOR LIGHTS	1

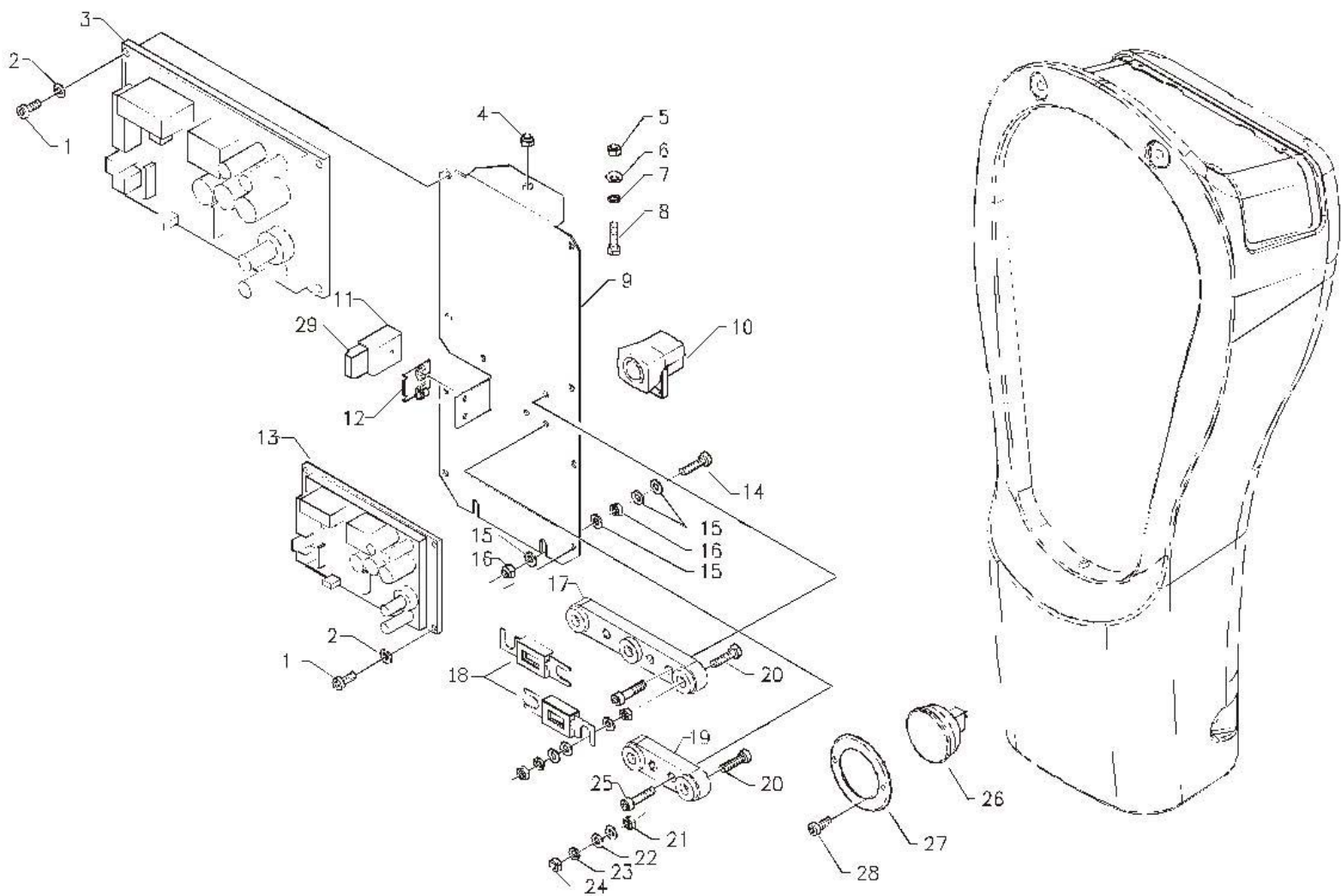
Control Panel Assembly, Model:99765 BR 28/30

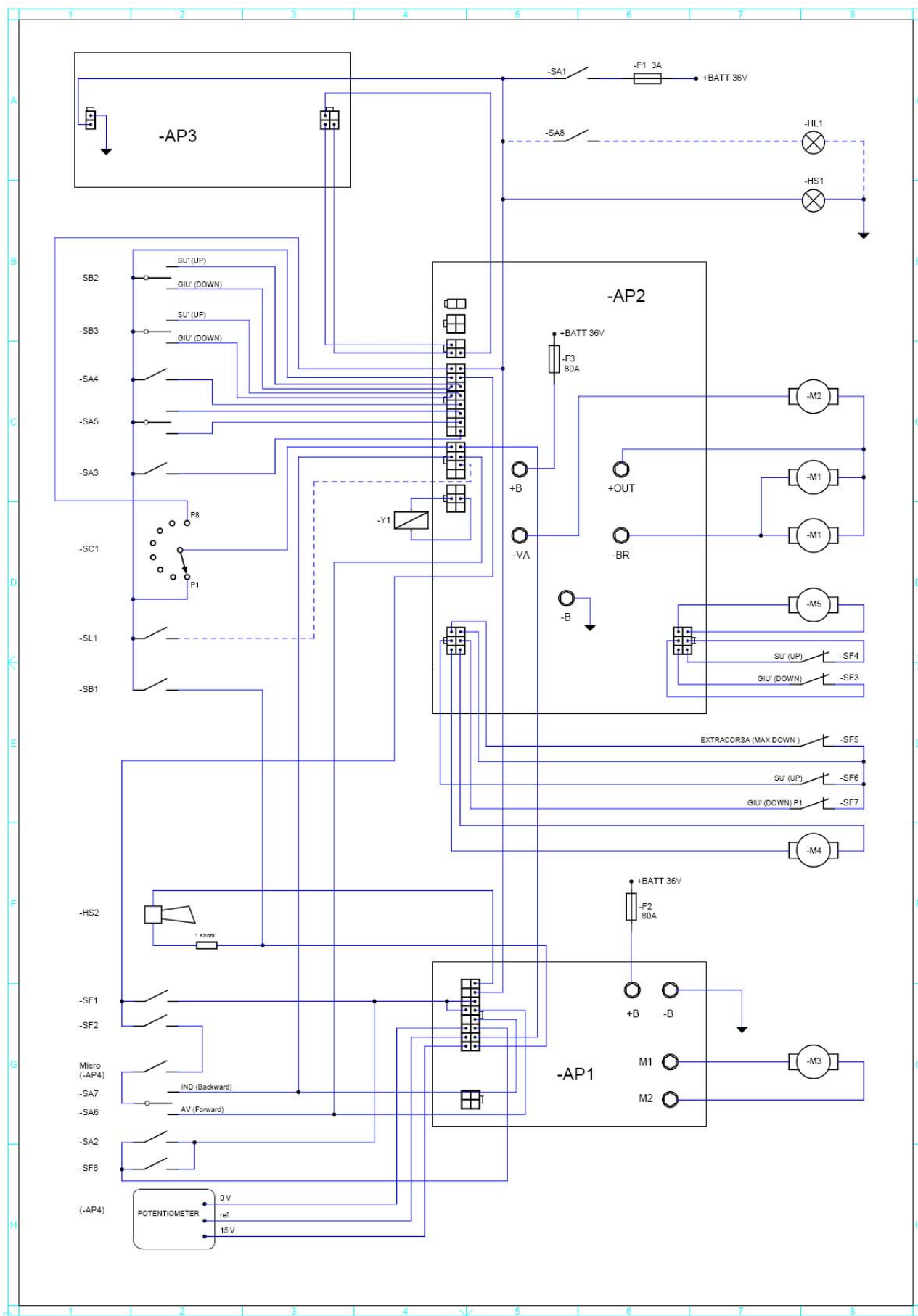


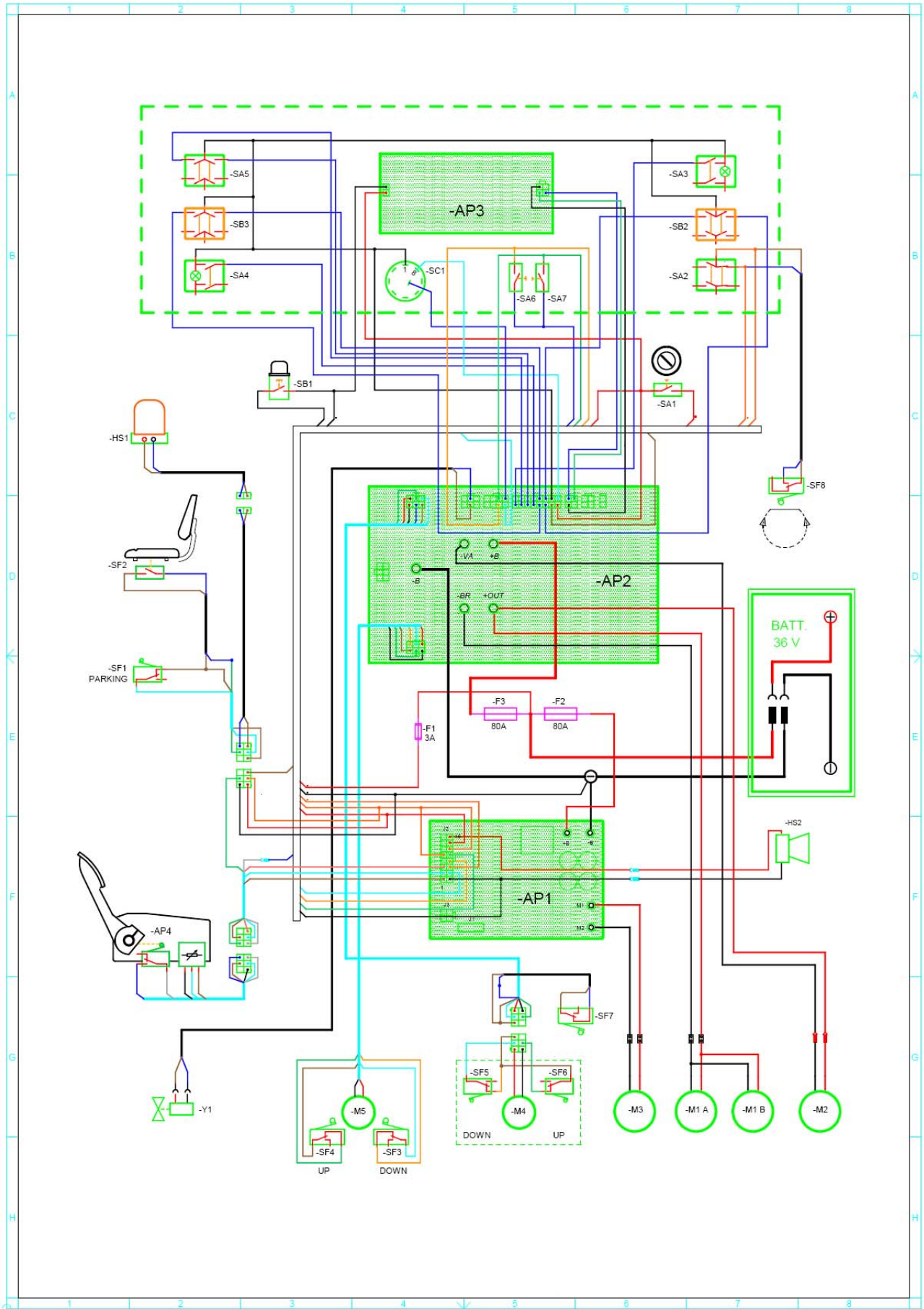
Electrical Layout Assembly

Model :99765 BR 28/30

	Number	Description	Qty Req.
1	60140404	SCREW	2
2	60504001	WASHER, LOCK	2
3	49704060	CHECK CARD CONTROL	1
4	60220801	NUT, LOCK	1
5	60210805	NUT	1
6	60309002	WASHER	1
7	60508004	WASHER, CONICAL	1
8	60110807	SCREW	1
9	20612010	PANEL	1
10	63709003	HORN	1
11	62800001	FUSEHOLDER 1-WAY	1
12	63717002	FIXING PLAQUE	1
13	49701040	CARD, CHOPPER STANDARD	1
14	60110617	SCREW	1
15	60306007	WASHER	8
16	60220601	NUT, LOCK	4
17	62800003	FUSEHOLDER, DOUBLE	1
18	62808001	FUSE, LAMELLAR	2
19	62800004	FUSEHOLDER, SINGLE	1
20	60110812	SCREW	2
21	60210804	NUT, BRASS	2
22	60308005	WASHER, BRASS	4
23	60508001	WASHER, LOCK	2
24	60210805	NUT	2
25	60130506	SCREW	2
26	63310030	LIGHTS	1
27	20612030	FLANGE	1
28	60190423	SCREW	2
29	62800301	FUSE	1





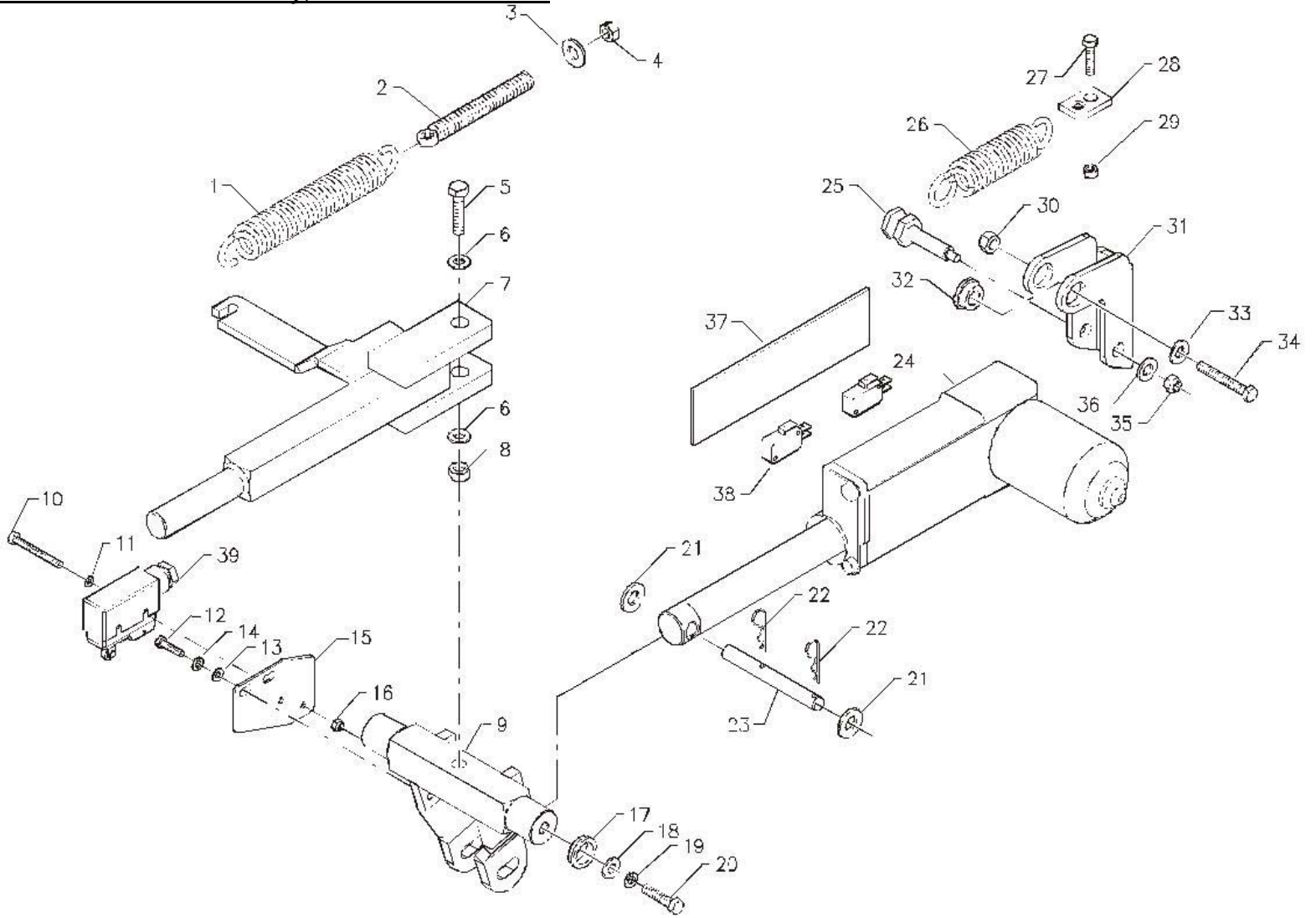


Brush Base Control Assembly

Model :99765 BR 28/30

	Number	Description	Qty Req.
1	47220120	SPRING, TRACTION	1
2	20603110	SPRING, TIE ROD	1
3	60309002	WASHER	1
4	60210810	NUT	1
5	60111025	SCREW	1
6	60311001	WASHER	2
7	20603150	ARM BRUSH BASE CONTROL	1
8	60221003	NUT, LOCK	1
9	20603070	SHAFT, BRUSH BASE CONTROL	1
10	60110411	SCREW S.S.	1
11	60304002	WASHER	1
12	60110604	SCREW	1
13	60306003	WASHER	1
14	60506004	WASHER, LOCK	1
15	20603130	SWITCH, MICRO SUPPORT	1
16	60220401	NUT, LOCK	1
17	47106010	BUSHING	2
18	60308009	WASHER	1
19	60508001	WASHER, LOCK	1
20	60110807	SCREW	1
21	60310002	WASHER	2
22	60800003	CLIP	2
23	20603030	PIN, ACTUATOR BODY	1
24	46330030	ACTUATOR	1
25	20603090	PIN, ACTUATOR BODY	1
26	47220110	SPRING, TRACTION	1
27	60110807	SCREW	1
28	20603100	SPRING, COUPLER PRESSURE	1
29	60220801	NUT, LOCK	1
30	60221003	NUT, LOCK	1
31	20603140	ROCKER ARM	1
32	47106020	BUSHING	2
33	60311001	WASHER	1
34	60111020	SCREW	1
35	60220601	NUT, LOCK	1
36	60306007	WASHER	1
37	63802001	SUPPORT PLATE	1
38	63409020	MICROSWITCH ACTUATOR	2
39	63409005	MICROSWITCH	1

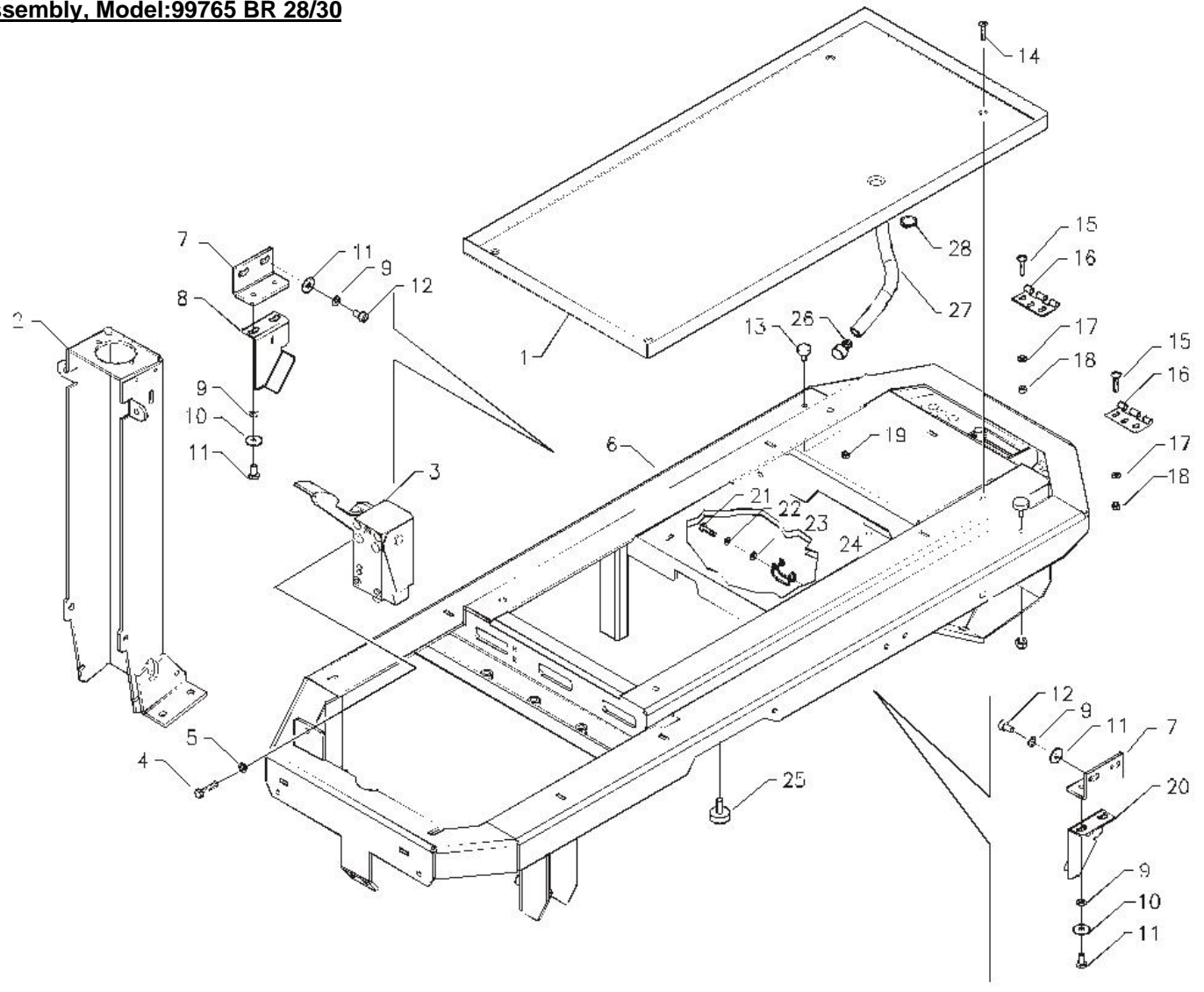
Brush Base Control Assembly, Model:99765 BR 28/30



Frame Assembly

Model :99765 BR 28/30

	Number	Description	Qty Req.
1	48006010	BASE, BATTERY	1
2	46106200	FRONT FRAME	1
3	63416001	PEDAL DRIVE CONTROL	1
4	60110807	SCREW	1
5	60508001	WASHER, LOCK	1
6	46106300	FRAME	1
7	20606320	SUPPORT GUIDE	2
8	20606330	GUIDE RIGHT	1
9	60508001	WASHER, LOCK	4
10	60308007	WASHER S.S.	2
11	60110803	SCREW	4
12	60130801	SCREW	2
13	62405001	CAP, VIBRATION-DAMPING	2
14	60180603	SCREW S.S.	4
15	60100601	SCREW	2
16	62409002	HINGE	2
17	60306007	WASHER	2
18	60220601	NUT, LOCK	2
19	60210608	NUT	2
20	20606340	GUIDE LEFT	1
21	60110604	SCREW	1
22	60506002	WASHER, LOCK	1
23	60306007	WASHER	1
24	47230060	COUPLING SPRING EXHAUST HOSE	1
25	62405001	CAP, VIBRATION-DAMPING	2
26	20701080	CAP	1
27	47630060	HOSE	1
28	61910003	CLAMP	1

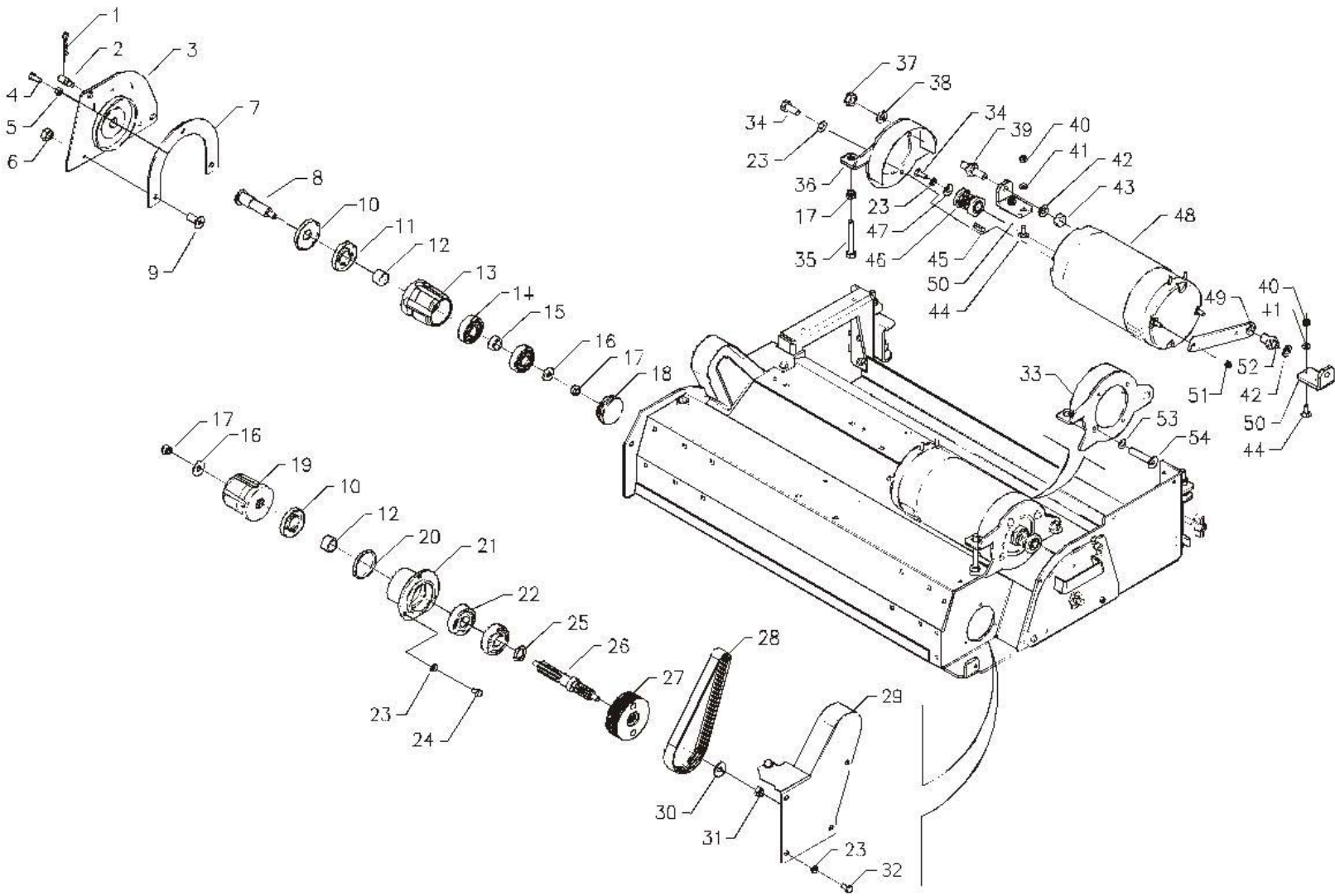


Transmission Assembly

Model :99765 BR 28/30

	Number	Description	Qty Req.
1	60800001	CLIP	1
2	20606310	PIN	1
3	20606100	FLANGE	1
4	60110610	SCREW	1
5	60210606	NUT S.S.	1
6	60210502	NUT	1
7	20606300	FRAME FLANGE	1
8	20706150	PIN	2
9	60180502	SCREW S.S.	3
10	20706160	WASHER	2
11	61222471	OIL SEAL	1
12	47007050	SPACER	2
13	20706130	FRONT BRUSH HUB	2
14	61411501	BEARING	4
15	47007090	SPACER	1
16	20606470	WASHER	2
17	60220801	NUT, LOCK	3
18	62010005	CAP	1
19	20706080	HUB	1
20	47007080	OIL SEAL	2
21	20606080	HUB	1
22	61411704	BEARING	2
23	60506004	WASHER, LOCK	4
24	60110603	SCREW	1
25	47006020	SPACER	1
26	20606090	SHAFT	1
27	46920130	PULLEY, DRIVEN	1
28	61610010	BELT	2
29	20606170	BELT COVER	2
30	60309002	WASHER	1
31	60220802	NUT, LOCK	1
32	60110604	SCREW	1
33	20606030	FLANGE	1
34	60110608	SCREW	2
35	20606050	STUD BOLT	2
36	20606020	FLANGE	1
37	60221002	NUT, LOCK	1
38	60310002	WASHER	1
39	20606040	STUD BOLT	2
40	60220601	NUT, LOCK	2
41	60306003	WASHER	2
42	60510006	WASHER, LOCK	2
43	60211001	NUT	1
44	60100603	BUSHING	2
45	60905041	KEY	1
46	46920120	MOTOR PULLEY	1
47	60306007	WASHER	1
48	46230100	MOTOR	2
49	20606070	MOTOR SUPPORT	2
50	20606210	MOTOR SUPPORT	2
51	60220502	NUT, LOCK	2
52	20606060	PIN	2
53	60506001	WASHER, LOCK	2
54	60180605	SCREW	2

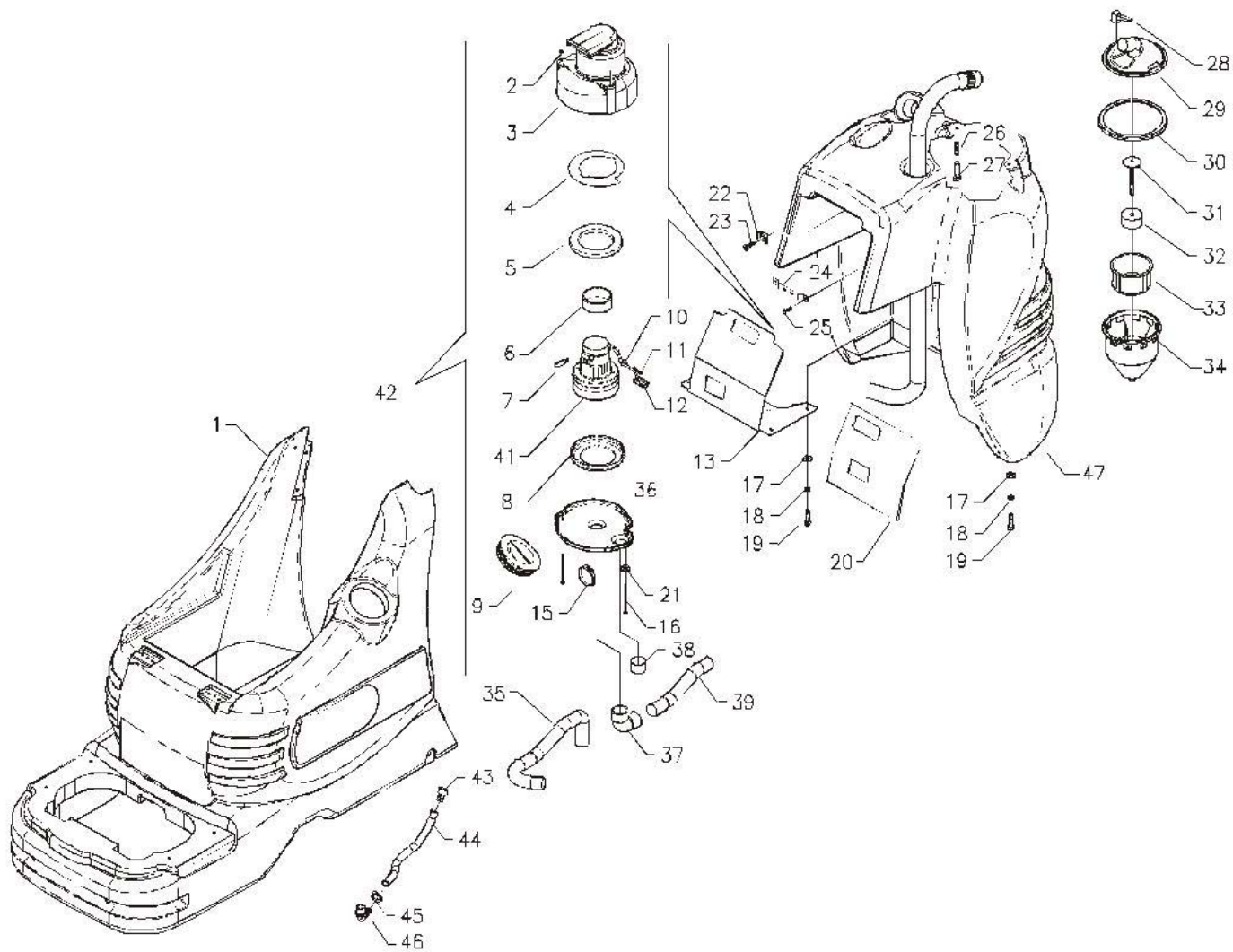
Transmission Assembly, Model:99765 BR 28/30



Tank and Vacuum Assembly

Model :99765 BR 28/30

	Number	Description	Qty Req.
1	47306010	SOLUTION TANK	1
2	60220601	NUT, LOCK	1
3	20610120	VACUUM MOTOR CASING	1
4	20110080	PROTECTION RING INNER	1
5	48106020	VIBRATION-DAMPING	1
6	48103010	SEPARATOR VACUUM MOTOR	1
7	63608111	CARBON BRUSH MOTOR	1
8	47804010	GASKET, VACUUM MOTOR	1
9	62350001	CAP, SOLUTION TANK	1
10	61910002	CLAMP	1
11	63130001	CONNECTOR CONTACT	1
12	63110004	CONNECTOR, RED	1
13	20610110	SUPPORT, VACUUM MOTOR	1
15	61930005	WRENCH, CLAMP HOSE	1
16	60110631	SCREW	2
17	60306007	WASHER	2
18	60506004	WASHER, LOCK	2
19	60110608	SCREW	2
20	48106020	DEADENING VACUUM SUPPORT	1
21	60306007	WASHER	2
22	63714001	SUPPORT, SADDLE	1
23	60190424	SCREW	1
24	20610030	BLADE HOSE FIXING	1
25	60190424	SCREW	1
26	47210080	SPRING, COMPRESSION S.S.	1
27	60110618	SCREW S.S.	1
28	61820002	LEVER, BLOCKING	1
29	20110040	CAP, FILTER	1
30	47800010	CAP, GASKET FILTER	1
31	20110060	ROD WITH PLATE	1
32	20110070	FLOAT	1
33	47900010	FLOAT, FILTER	1
34	20110050	PROTECTION FILTER	1
35	47610150	HOSE, VACUUM	1
36	20110130	PLUG, COVER EXHAUST	1
37	62320020	FITTING BENT	1
38	62010002	CAP	1
39	47610260	HOSE	1
41	49330070	VACUUM MOTOR	1
42	V0610005	VACUUM MOTOR ASSEMBLY	1
43	20701080	CAP	1
44	47630490	HOSE	1
45	61930003	CLAMP	1
46	62340020	FITTING BENT	1
47	47306020	RECOVERY TANK	1

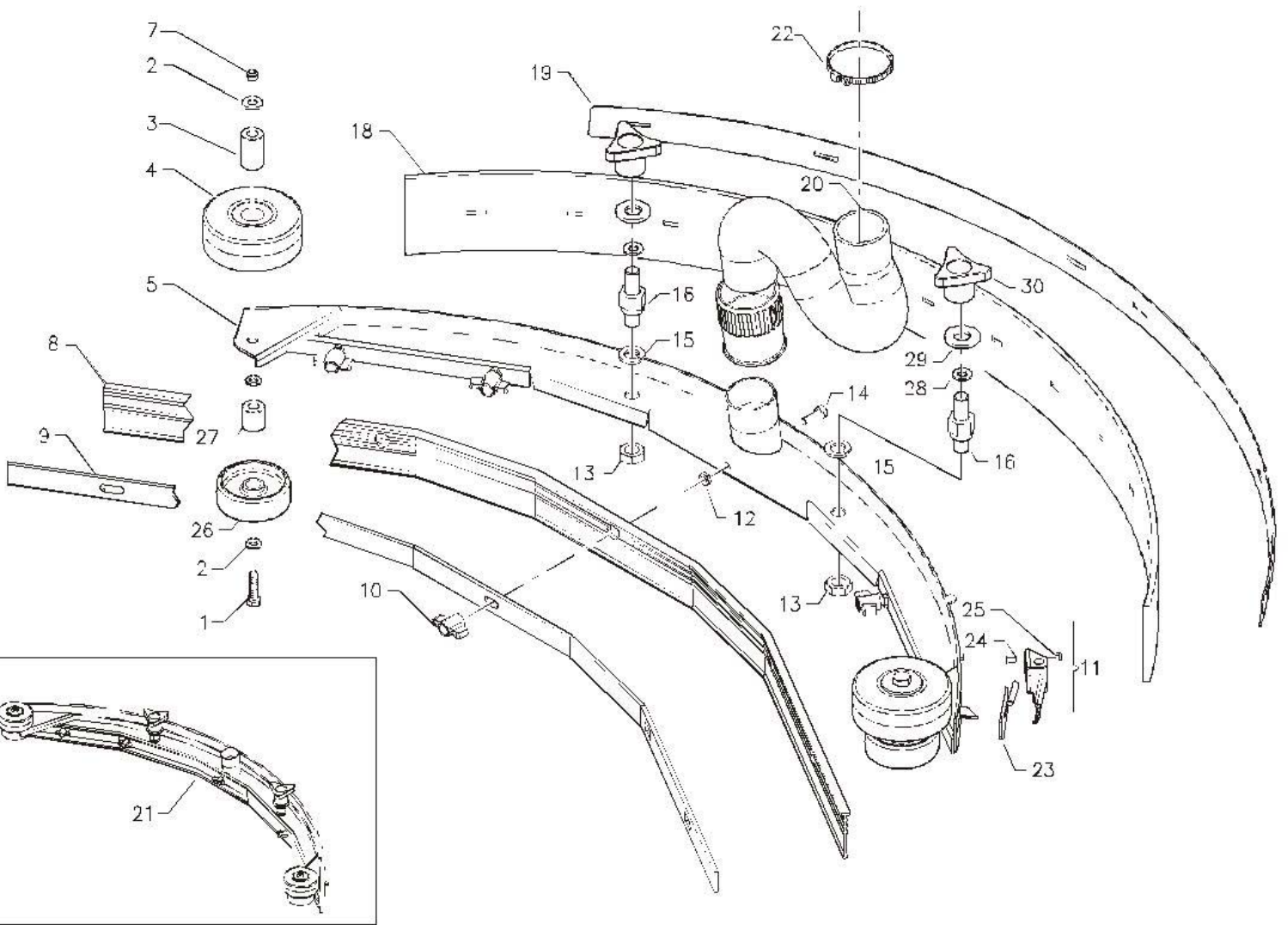


Squeegee Assembly

Model :99765 BR 28/30

	Number	Description	Qty Req.
1	60110835	SCREW S.S.	2
2	60308010	WASHER, S.S.	4
3	47101040	BUSHING	2
4	46541010	WHEEL, BUMPER GREY	2
5	48206100	BODY, SQUEEGEE S.S.	1
7	60220803	NUT, LOCK, S.S.	2
8	48403020	SQUEEGEE, RUBBER FRONT	1
9	48306110	BLADE, RUBBER FRONT S.S.	1
10	61706004	NUT, WING S.S.	4
11	62200001	HOOK	1
12	60210601	NUT S.S.	4
13	60211203	NUT S.S.	2
14	60110610	SCREW	4
15	60512005	LOCK WASHER S.S.	2
16	20604030	STUD BOLT	2
18	48406100	SQUEEGEE, REAR RUBBER	1
19	48306010	BLADE, REAR RUBBER	1
20	47610120	HOSE, SQUEEGEE	1
21	V8206120	SQUEEGEE ASSEMBLY IRON	1
22	61910004	CLAMP	1
23	20104010	ADJUSTER REAR BLADE	1
24	60170303	SCREW S.S.	1
25	60220301	NUT, LOCK S.S.	1
26	46511060	BUMPER WHEEL GREY	2
27	47106060	BUSHING	2
28	60313003	WASHER S.S.	2
29	60312006	WASHER S.S.	2
30	61712001	HANDWHEEL	2

Squeegee Assembly, Model:99765 BR 28/30

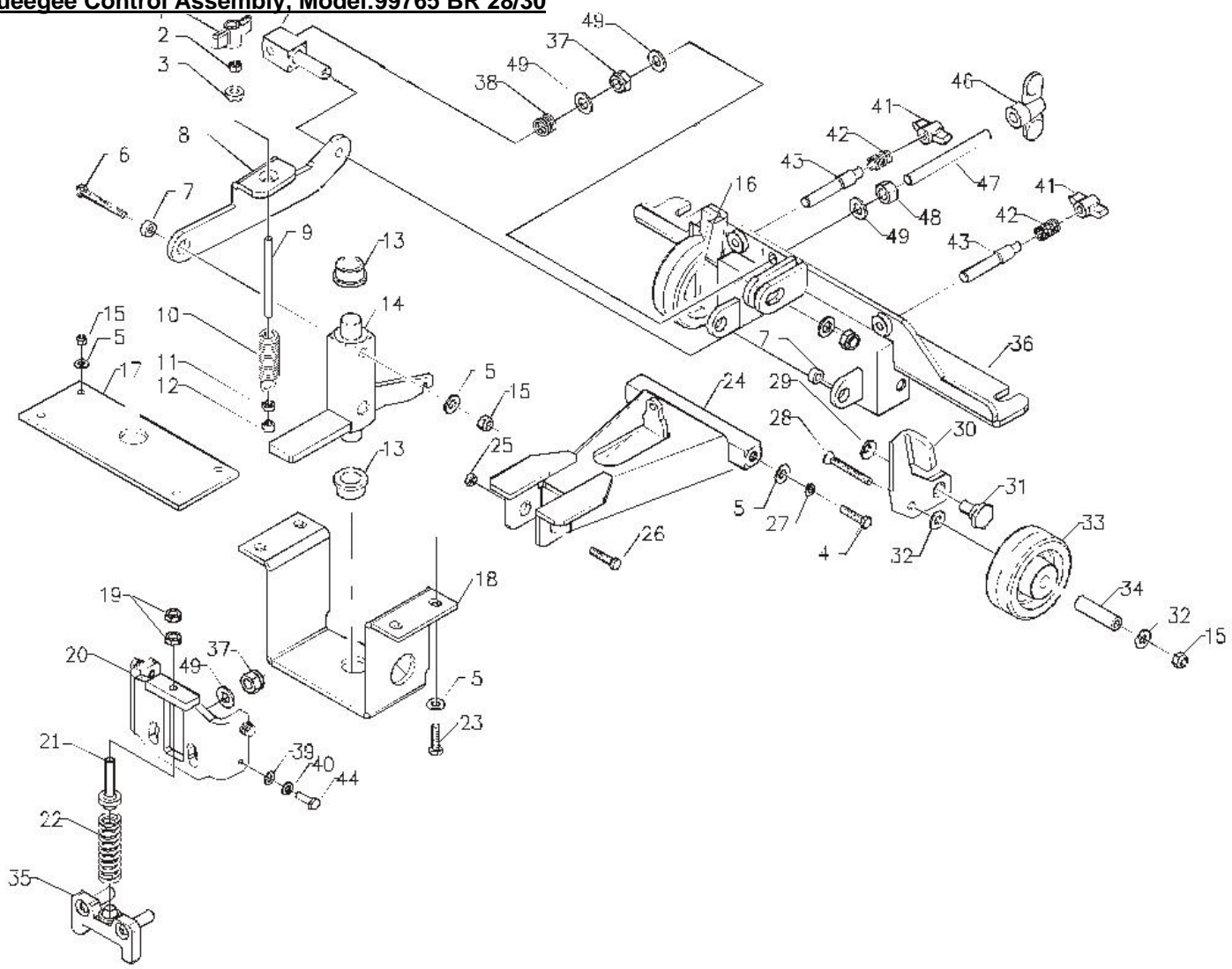


Squeegee Control Assembly

Model :99765 BR 28/30

	Number	Description	Qty Req.
1	61706003	NUT, WING	1
2	60210601	NUT S.S.	1
3	47106030	BUSHING	1
4	60110809	SCREW	1
5	60309002	WASHER	6
6	60110824	SCREW	1
7	47103080	BUSHING	3
8	20605120	ARM	1
9	20205040	SQUEEGEE PRESSURE	1
10	47220030	SPRING, TRACTION	1
11	60210607	NUT	1
12	60220601	NUT LOCK	1
13	47103090	BUSHING	2
14	20605020	ARM JOINT	1
15	60220801	NUT LOCK	7
16	20605050	SUPPORT, WHEEL RIGHT	1
17	20301050	PLAQUE ARM JOINT	1
18	20601040	SUPPORT ARM JOIN	1
19	60210805	NUT	2
20	20605170	SUPPORT BRACKET	1
21	20605160	ADJUSTER	1
22	20605180	SPRING, COMPRESSION	1
23	60110811	SCREW	4
24	20605010	SQUEEGEE ARM	1
25	60221201	NUT, LOCK	1
26	60111210	SCREW	1
27	60508001	WASHER, LOCK	1
28	60110829	SCREW	1
29	60510004	WASHER, LOCK	1
30	20605060	WHEEL, LEFT SUPPORT	1
31	20305100	WHEEL, PIN SUPPORT	1
32	60309002	WASHER	4
33	46511030	WHEEL, RUBBER	2
34	47103140	BUSHING S.S.	2
35	20605150	HOOK, BRACKET	1
36	20605130	SUPPORT, SQUEEGEE	1
37	60221003	NUT, LOCK	2
38	47210030	SPRING, COMPRESSION S.S.	1
39	60506005	WASHER, LOCK	1
40	60306003	WASHER	1
41	61708002	NUT, WING	3
42	47210100	SPRING, COMPRESSION	2
43	20305090	WHEEL ADJUSTER	2
44	60110612	SCREW	1
45	20605140	ADJUSTER	1
46	61710003	HANDWHEEL	1
47	62406006	BAR S.S.	1
48	60211006	NUT, LOCK	1
49	60310004	WASHER	4

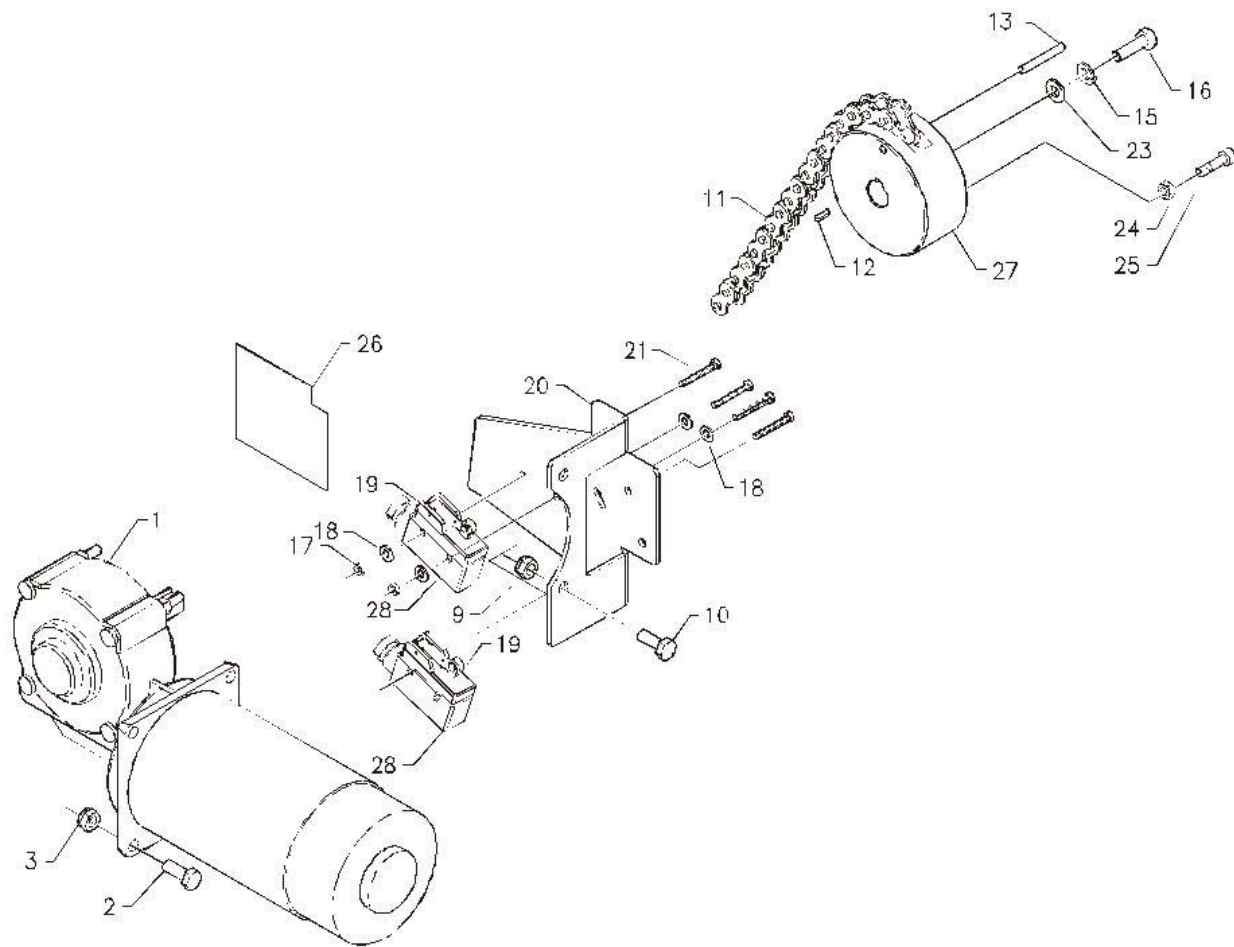
Squeegee Control Assembly, Model:99765 BR 28/30



Squeegee Control Geared Motor Assembly

Model :99765 BR 28/30

	Number	Description	Qty Req.
1	46200100	GEARED MOTOR ASSEMBLY	1
2	60110612	SCREW	1
3	60220601	NUT, LOCK	1
9	60220601	NUT, LOCK	1
10	60110612	SCREW	1
11	61510002	CHAIN	1
12	60905051	KEY	1
13	60604005	PIN, PARALLEL	1
15	60506004	WASHER, LOCK	1
16	60110612	SCREW	1
17	60220401	NUT, LOCK	4
18	60304002	WASHER	6
19	63409005	MICROSWITCH	2
20	20605110	SUPPORT, MICROSWITCH	1
21	60110411	SCREW S.S.	4
23	60306010	WASHER	1
24	60210810	NUT	1
25	60130801	SCREW	1
26	20610080	RUBBER PROTECTION	1
27	20605080	CONTROLLER ROLLER	1
28	63499005	PROTECTION CAP	2



Brake Pedal

Model :99765 BR 28/30

	Number	Description	Qty Req.
1	60160603	DOWEL	1
2	20102210	WASHER	2
3	60210601	NUT S.S.	1
4	20608120	KNOB	1
5	60110406	SCREW S.S.	1
6	63409001	MICROSWITCH	1
7	60220401	NUT, LOCK	1
8	20608030	SUPPORT, BRAKE PEDAL	1
9	60220801	NUT, LOCK	4
10	60100802	SCREW	1
11	60140306	SCREW	1
12	60309002	WASHER	1
13	47220130	SPRING, TRACTION	1
14	20608040	PIN, BRAKE PEDAL	2
15	20608020	BLOCKING LEVER	1
16	47220040	SPRING, TRACTION	1
17	20608110	COUPLER, SPRING	1
18	20103040	COVER, PEDAL	1
19	60508004	WASHER, CONICAL	2
20	62120603	SPRING FOR PIN	2
21	47250802	WASHER, CUPPED	1
22	20608010	BRAKE PEDAL	1
23	47250802	WASHER, CUPPED	1
24	62120602	PIN	1
25	20608060	BRAKE FORK	1
26	20608070	ROCKER ARM BRAKE	1
27	62120801	PIN	3
28	62120802	SPRING FOR PIN	3
29	60308004	WASHER	3
30	62401006	BRAKE CABLE RIGHT	1
31	60210601	NUT S.S.	2
32	62406014	INSERT	2
33	62401002	BRAKE CABLE LEFT	1
34	60220301	NUT, LOCK	1
35	47210230	SPRING, COMPRESSION	2
36	20608080	ROD PARKING BRAKE	1
37	60210402	NUT	1

Brake Pedal, Model:99765 BR 28/30

