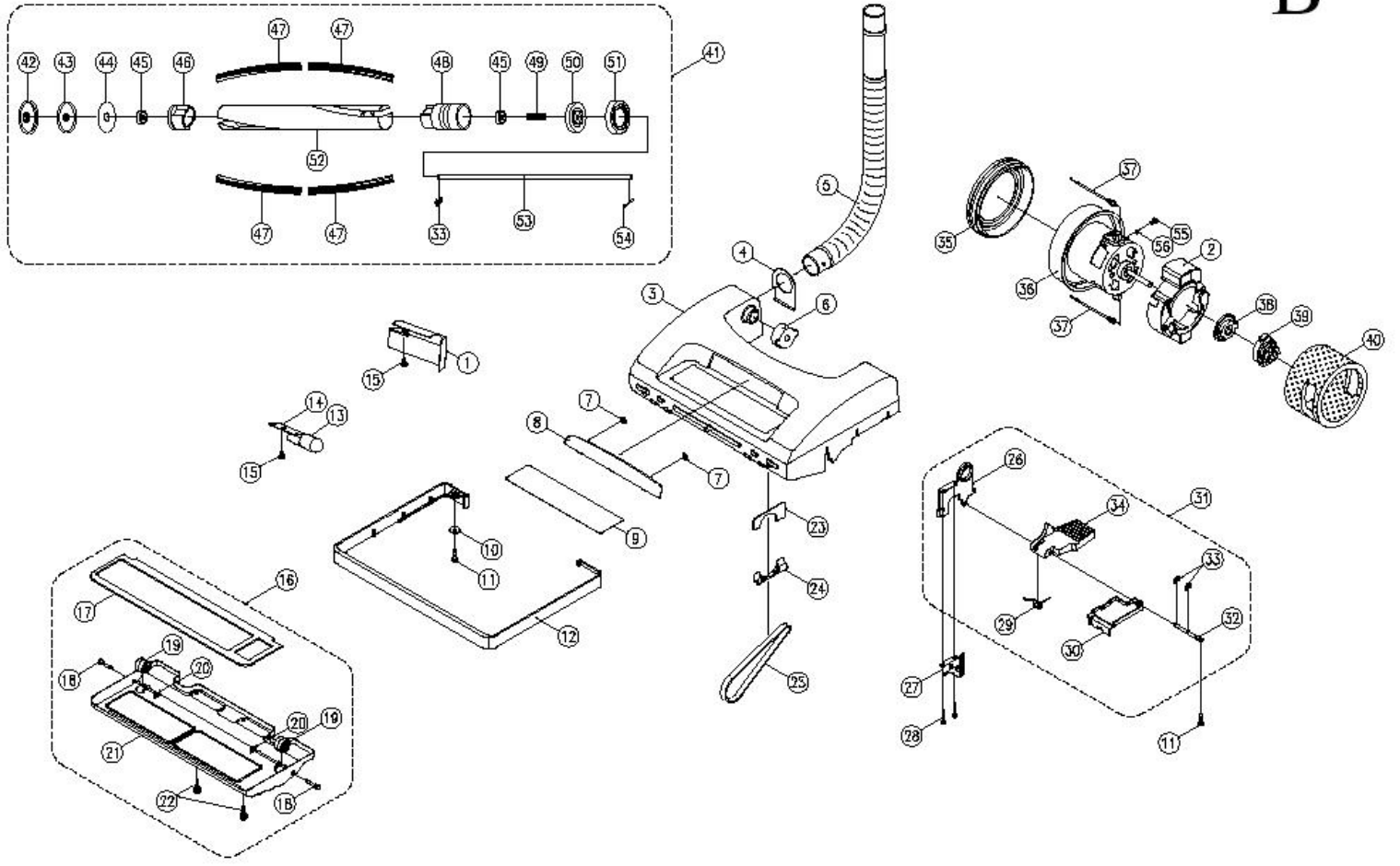


Drawing B

Model :97182 CK 14/1 Vacuum

	Number	Description	Qty Req.
1	33551	REFLECTOR PLATE	1
2	BA10303000	MOTOR SHROUD	1
3	33552	NOZZLE HOUSING	1
4	A07	HOSE FITTING	1
5	C44-E	NOZZLE HOSE	1
6	84.200	PIVOT SLEEVE BUSHING	1
7	33553	CS - RING	2
8	N19-CL	CLEAR LENS	1
9	33554	TOPPER MARK	1
10	004300032	WASHER (M4*25)	1
11	A732-1100A	SET SCREW (M4*15)	2
12	A03	FURNITURE QUART (BLACK)	1
13	33555	BULB SOCKET	1
14	33556	LIGHT BULB-SLIMLINE	1
15	CM031006	SET SCREW (M4*18.5)	2
16	33557	BOTTOM PLATE ASSEMBLY	1
17	33558	PACKING LOWER PLATE ASSEMBLY	1
18	B010-0500	BASE PLATE WHEEL PIN	2
19	CM011012	BASE PLATE WHEEL	2
20	A732-2100	PUSH ON SPRING NUTS	2
21	33559	BOTTOM PLATE	1
22	A732-2000	BOTTOM PLATE SET SCREW	2
23	A09	FELT PACKING	1
24	33560	VENTED SUPPORT FITTING	1
25	33561	BELT	1
26	CM011004	PEDAL FRAME	1
27	B014-0500	BELT COVER	1
28	CM031006	SET SCREW (M4*18.5)	2
29	B020-0400	PEDAL SPRING	1
30	54.041	PEDAL (BLACK)	1
31	33562	PEDAL FRAME ASSEMBLY	1
32	33563	PEDAL FRAME SHAFT	1
33	33564	E-RING (ETW-4)	3
34	54.016	FOOT PEDAL RELEASE	1
35	33565	MOTOR MOUNT	1
36	CM011010	MATSUSHITA MOTOR	1
37	33566	TEMPERATURE WIRE	2
38	CM031002	MOTOR MOUNT	1
39	B123-1300	PIVOT SLEEVE	1
40	33567	SOUND SUPPRESSER	1
41	33574	PINNED BRUSH ROLL ASSEMBLY COMPLETE	1
42	B012-0214	RUBBER END COVER (LEFT)	1
43	33568	LEFT COVER	1
44	B012-0600	FELT COVER	1
45	33569	BEARING 626D	1
46	B08S	AGITATOR BEARING HOLDER (ALP)	1
47	33570	AGITATOR BRUSH	4
48	B07S	AGITATOR PULLEY	1
49	B624-0100	SPACING SPRING	1
50	33571	RIGHT COVER	1
51	B012-0114	RUBBED END COVER (RIGHT)	1
52	33572	AGITATOR CORE	1
53	B012-1000	AGITATOR SHAFT	1
54	A732-0400	SPRING CLIP	1
55	004240056	SET SCREW (M4*6)	1
56	33573	WASHER	1

B



Drawing A

Model :97182 CK 14/1 Vacuum

	Number	Description	Qty Req.
1	33510	DUST COMPARTMENT	1
2	B236-0114	BOOT STRAIN RELIEF	1
3	33549	FILLER COVER	1
4	B332-0014	CORD HOLDER (FOR SVT TYPE)	1
5	A732-1100A	SET SCREW (M4*15)	4
6	54.131	INNER SWITCH COVER	1
7	A732-4500	SET SCREW (M4*15)	6
8	06.611	SECONDARY FILTER	1
9	33511	MOTOR COVER SEAL-1	1
10	33512	MOTOR COVER SEAL-2	1
11	33513	DUST COMPARTMENT SEAL	1
12	33514	PAPER BAG	1
13	33515	DUST COVER	1
14	33516	LATCH SPRING	1
15	33517	DUST COVER RELEASE HANDLE	1
16	33518	SEAL FOR INNER SWITCH COVER	1
17	54.129	WIRE HARNESS COVER	1
18	33519	SUPPORT STRAP	1
19	54.065	MOTOR COVER	1
20	CM031006	SET SCREW (M4*18.5)	6
21	33520	PLASTIC FRAME SET	1
22	33521	WARNING LABEL ENG/FRENCH	1
23	33522	TEMPERATURE SWITCH	1
24	33523	SET SCREW (M3*10)	2
25	33524	TEMPERATURE WIRE	2
26	B333-0600	TEMPERATURE SWITCH SEAL	1
27	33525	REAR WHEEL ASSEMBLY	1
28	54.136	SET WASHER	2
29	33550	REAR WHEEL	2
30	33526	WASHER (6.2*12*0.4)	2
31	33527	E-RING (ETW-5)	4
32	33528	REAR WHEEL SHAFT	1
33	33529	SET SCREW (M4*8)	2
34	B123-1101	MOTOR CORD	1
35	33530	WIRE BUSHING	1
36	33531	ZIP TIE	3
37	A152	WIRE CONNECTOR (HW-C5)	4
38	33532	CORD HOLDER	1
39	CM031000	SET SCREW (M4*12)	6
40	A721-0200	SUCTION INLET GASKET	1
41	33533	SET SCREW (M5*12)	3
42	33534	WASHER (5.0*12*.05)	1
43	B625-0805	SUCTION SPRING	1
44	33535	SUCTION INLET	1
45	33536	SUCTION INLET COVER	1
46	B211-0230	BAG SUPPORT COLLAR	1
47	CM021009	HANDLE FITTING	1
48	33537	SET SCREW (M4*16)	3
49	004240056	SET SCREW (M4*6)	1
50	33538	WASHER	1
51	33547	LOWER CORD HOOK	1
52	A732-3300	SET SCREW (M4*25)	1
53	004300032	WASHER (M4*25)	1
54	33539	CORD HOOK SPRIGN	1
55	A232-0100	HANDLE SCREW (M5*45)	1
56	18.146	HANDLE ASSEMBLY COMPLETE	1
57	33540	HANDLE TUBE	1
58	33548	FOAM HANDLE GRIP	1
59	G10	HANDLE END CAP	1
60	33541	POWER CORD (40FT)	1
61	33542	HOSE HANGER	1
63	A732-4200	HANDLE TUBE FIXING SCREW	1

Drawing A
Model :97182 CK 14/1 Vacuum

	Number	Description	Qty Req.
64	54.050	POWER CORD HOLDER	1
65	33543	WASHER	3
66	004840022	NUT (M4 T=3)	2
67	33544	UPPER CORD HOOK	1
68	33545	BY PASS COMPLETE	1
69	33546	RELIEF VALVE	1

A

