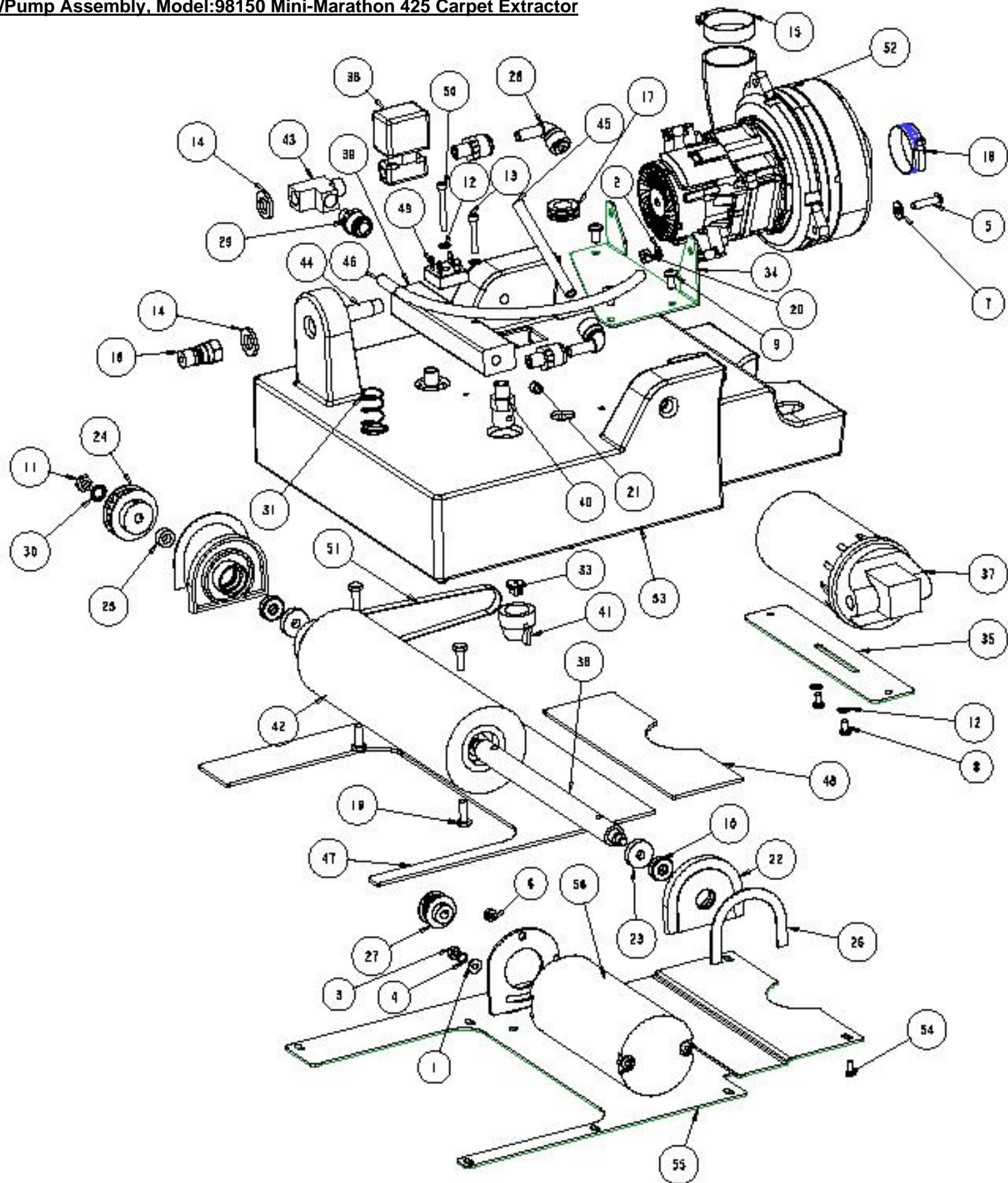


Motor/Pump Assembly

Model :98150 Mini-Marathon 425 Carpet Extractor

	Number	Description	Qty Req.
1	00696	WASHER-PLAIN #10 ID (ZP)	1
2	01574	WASHER-LOCK(H/S)1/4	2
3	01604	NUT-FINISHED HEX #10-32 (ZP)	1
4	01713	WASHER-LOCK(H/S)#10	1
5	02038	SCREW-PHIL. RND HD MACH 1/4-20 X 1.00 (ZP)	2
6	02625	NUT-HEX.LOCK(KEPS) #10-32 (ZP)	1
7	03218	WASHER-PLAIN 1/4 ID (ZP)	2
8	03261	SCREW-TCT(F)PAN HEAD #10-32 X 3/8	2
9	04442	SCREW-PHIL. PAN HD MACH 1/4-20 X 1/2 (ZP)	3
10	05209	BEARING	2
11	05282	NUT-HEX HEAVY JAM 5/16-18 (ZP)	1
12	11007	WASHER-LOCK(I/T)#10	4
13	11733	SCREW-SOCKET HEAD CAP #10-32 X 1-1/4 (SS)	1
14	12554	WASHER-PLAIN 1/2 ID (NATURAL NYL.)	2
15	14858	CLAMP-HOSE(SCREW) 1-5/16-2-1/4(LINED)	1
16	14881	FITTING-BRASS NIPPLE 1/4FPT X 1/4Q.C.	1
17	15330	GROMMET 5/8 ID	1
18	16091	CLAMP-HOSE(SCREW) 1-1/4-2(LINED)	1
19	17160	SCREW-HEX HD CAP 1/4-20 X 3/4 (SS)	4
20	17508	NUT-FINISHED HEX 1/4-20 (SS)	2
21	19149	FITTING-BRASS PLUG 1/8MPT(HEX.SOCKET)	1
22	19157	BEARING BLOCK-BRUSH (MARATHON)	2
23	19158	BEARING SEAL(05209)	2
24	19161	PULLEY-TIMING (SHAFT) (ALU) #10-32 SET SCREW	1
25	19190	SPACER-1/4(DELRIN)	1
26	19228	GASKET-BEARING BLOCK (98166-169)	2
27	32175	PULLEY-TIMING BRUSH MOTOR (MARATHON)	1
28	32183	ELBOW-PLUG IN 3/8 O.D. STEM _TUBE (NYLON)	2
29	32186	CONNECTOR-MALE Q.D.(NYL) 3/8 TUBE X 1/4 THREAD	3
30	32245	WASHER-LOCK (I/T) 5/16 Z/P	1
31	32905	CLEVIS PIN SPRING K53325040	1
32	32936	2 HOSE-VAC EXHAUST	1
33	32937	SPRAY NOZZLE	2
34	32946	BRACKET-VAC MOTOR	1
35	32948	PUMP BRACKET	1
36	32959	BRUSH AXLE SMALL	1
37	32962	PUMP-115VAC .60 AMPS 1.6 GPM 60 PSI	1
38	32963	SOLENOID VALVE WITH CONTROLLER	1
39	32973	SPRAY MANIFOLD	1
40	32974	NOZZLE CONNECTOR	2
41	32975	NOZZLE CAP	2
42	32982	BRUSH CYLINDRICAL 10.25	1
43	33000	1/4 NPT BRASS TEE	1
44	33002	1/4 NPT BRASS PIPE 2 LONG	1
45	33006	JG TUBING 3/8 4.5" LONG	1
46	33007	HOSE-3/8OD X 14 LG. JG TUBING	1
47	33450	GASKET, BOTTOM/MOTOR PLATE ORDER WITH 33015	1
48	33015	GASKET-LOWER HOUSING(B) ORDER WITH 33450	1
49	33061	25A RECTIFIER	1
50	33063	#10-32 HEX BOLT 1-5/8" LONG	1
51	33073	17" BELT-98150LM	1
52	33086	VAC MOTOR 120V 2 STAGE 98150	1
53	33090	HOUSING, MOTOR/PUMP-BLACK 98150	1
54	33094	#10-32 X 3/8" FLAT HEAD SCREW (SS)	10
55	33427	PLATE, MOTOR MOUNT/BOTTOM COVER REPLACES 32945, 32949	1
56	X9002	MOTOR-BRUSH	1

Motor/Pump Assembly, Model:98150 Mini-Marathon 425 Carpet Extractor

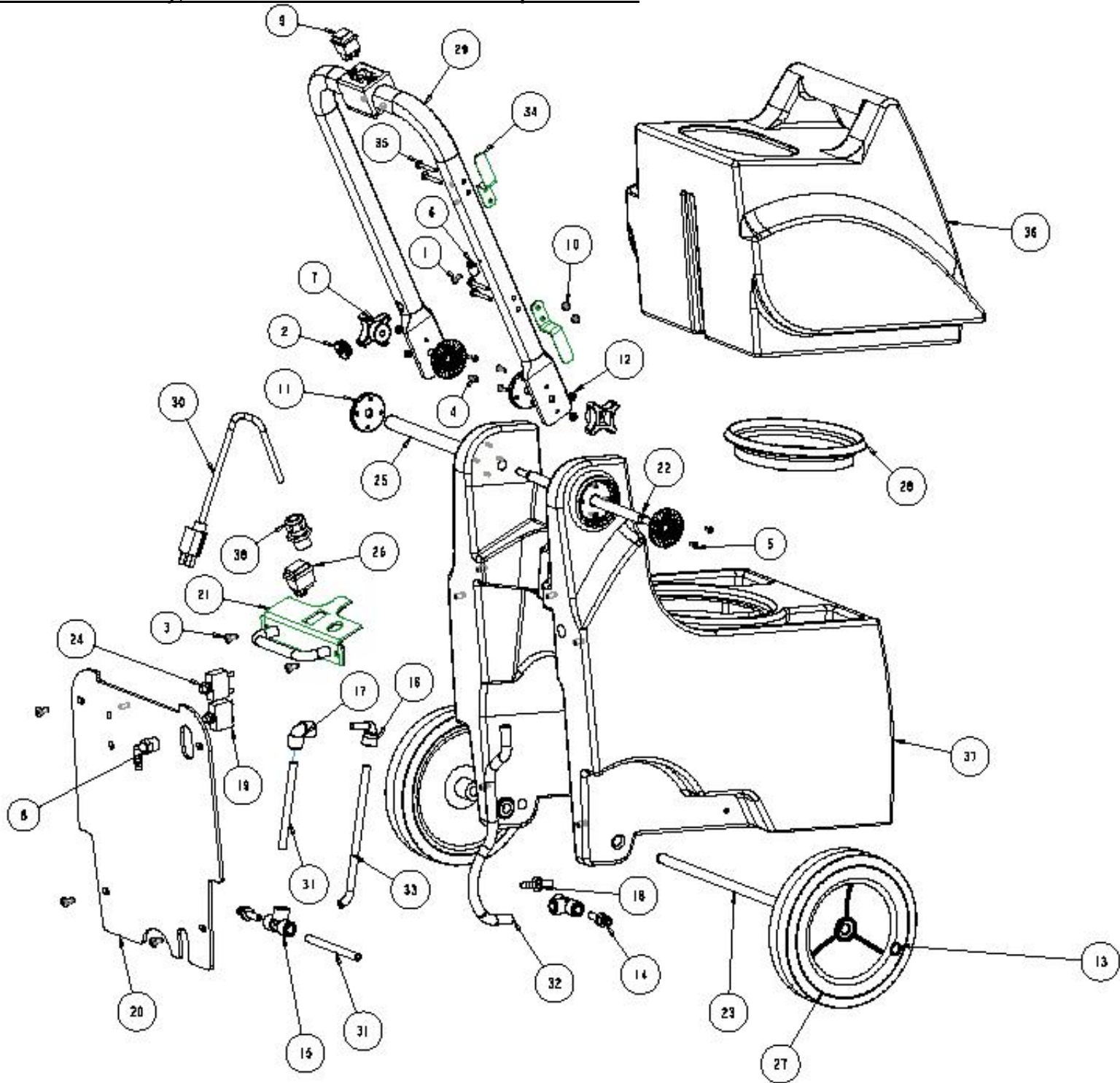


Solution Tank Assembly

Model :98150 Mini-Marathon 425 Carpet Extractor

	Number	Description	Qty Req.
1	03261	SCREW-TCT(F)PAN HEAD #10-32 X 3/8	1
2	04145	GROMMET 3/8 ID X 9/64 WALL	1
3	04442	SCREW-PHIL. PAN HD MACH 1/4-20 X 1/2 (ZP)	6
4	05769	SCREW-PHIL. FLAT HD MACH #8-32 X 5/8 (ZP)	4
5	15475	SCREW-PHIL. FLAT HD MACH #8-32 X 3/8 BLACK ZINC	8
6	17392	CLAMP-CABLE(CCH 5/16)	1
7	18119	KNOB - PLASTIC INSERT 5/16-18	2
8	18486	FITTING - PLASTIC ELBOW 3/8 NPT X 3/8	1
9	19121	SWITCH-PUSH BUTTON MOM.10A,125/250VAC,1/4HP	1
10	19145	NUT-HEX LOCK (NYL.INS.) #10-24 (SS)	4
11	19798	BRACKET SPIR.GRVD-HANDLE (93030)INFILTRATED STEEL	4
12	30074	NUT-HEX.LOCK STEEL # 8-32 (ZINC PLATE)	4
13	30507	SNAP RING 1/2 EXTERNAL (93030) .05 THK.	2
14	32181	STEM ADAPTER 3/8 X 1/4 (NYLON) MARATHON	2
15	32182	UNION TEE 3/8 TUBE SIZE (NYLON) MARATHON	2
16	32183	ELBOW-PLUG IN 3/8 O.D. STEM_TUBE (NYLON)	1
17	32189	ELBOW-SWIVEL 3/8 TUBE (NYLON)	1
18	32257	FITTING-STEM 3/8 X 3/8 TUBE/HOSE (NYLON)	1
19	32935	CIRCUIT BREAKER 3 AMP	1
20	32944	BACK COVER - ABS	1
21	32952	CONTROL PANEL ASSEMBLY	1
22	32954	HINGE BAR	1
23	32955	WHEEL AXLE- SMALL	1
24	32964	CIRCUIT BREAKER 10A	1
25	32965	HINGE BAR SLEEVE	1
26	32966	ON/OFF SWITCH- DOUBLE POLE SINGLE THROW	1
27	32969	8 WHEEL-GRAY PLASTIC 1/2 HUB, 1-5/8 OFFSET	2
28	32970	NYLON MESH FILTER-4BAG	1
29	32989	TUBULAR HANDLE ASSEMBLY	1
30	33003	POWER CORD-16/3 20' YELLOW SJTW	1
31	33006	JG TUBING 3/8 4.5" LONG	2
32	33008	CLEAR VINYL TUBING 3/8" ID	1
33	33010	HOSE-3/8OD X 8.5 LG. JG TUBING	1
34	33012	CORD WRAP BRACKET	2
35	33078	CARRIAGE BOLT #10-24 X 1-1/2"	4
36	33088	RECOVERY TANK-YELLOW 98150	1
37	33089	SOLUTION TANK-BLACK 98150	1
38	PD8+	STRAIN RELIEF 1/2" NPT SCE	1

Solution Tank Assembly, Model:98150 Mini-Marathon 425 Carpet Extractor

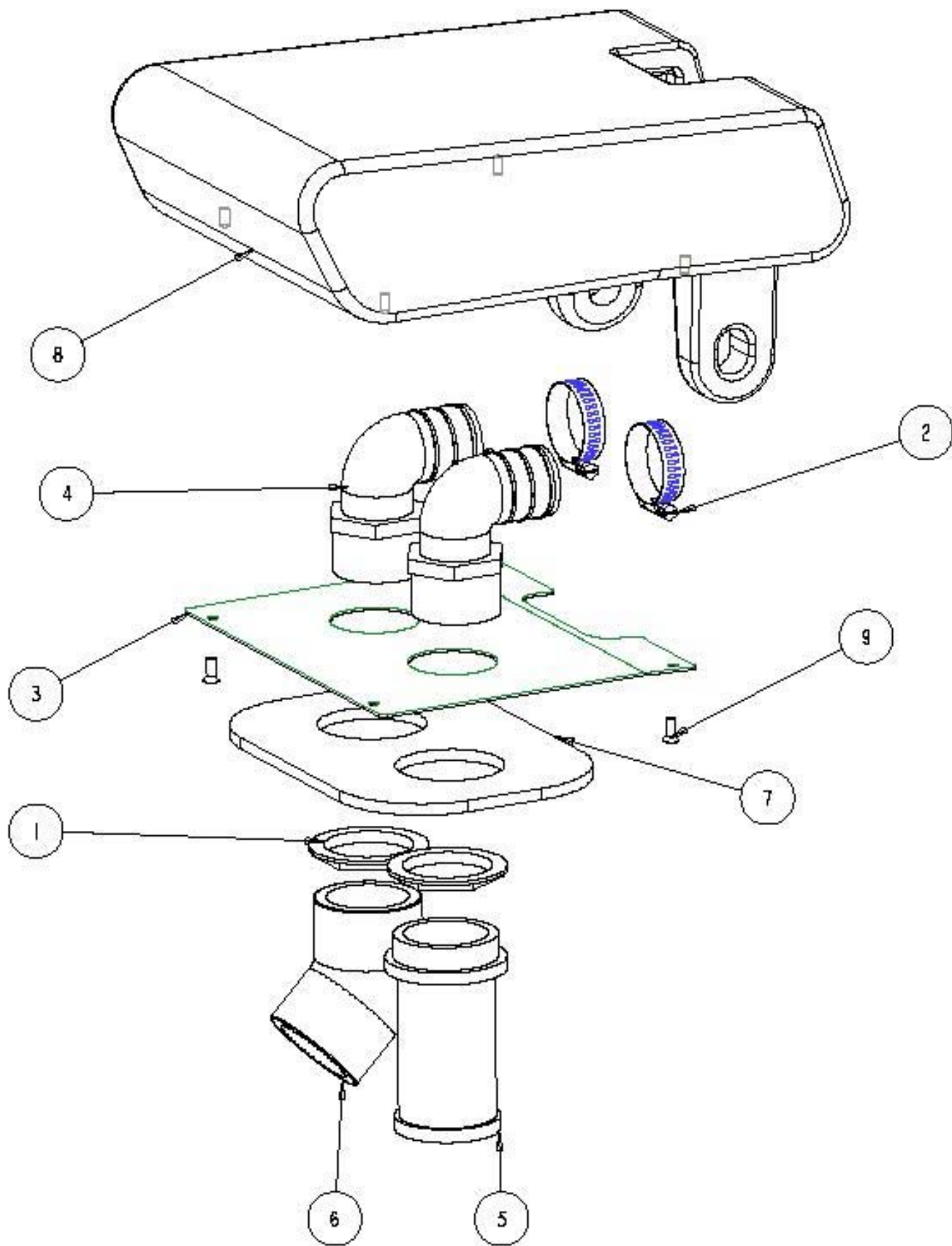


Top Cover Assembly

Model :98150 Mini-Marathon 425 Carpet Extractor

	Number	Description	Qty Req.
1	15092	NUT-HEX.FLNGD.LOCK 1-1/2NPT	2
2	16091	CLAMP-HOSE(SCREW) 1-1/4-2(LINED)	2
3	32950	TOP PLATE COVER	1
4	32976	PVC SPIGOT ELBOW 1-1/2 BARBED	2
5	32977	BALL FLOAT	1
6	32979	ELBOW, 45 DEG RUBBER 75-85 DURO	1
7	33013	GASKET-TOP COVER PORON	1
8	33087	COVER-BLACK 98150	1
9	33094	#10-32 X 3/8" FLAT HEAD SCREW (SS)	4

Top Cover Assembly, Model:98150 Mini-Marathon 425 Carpet Extractor

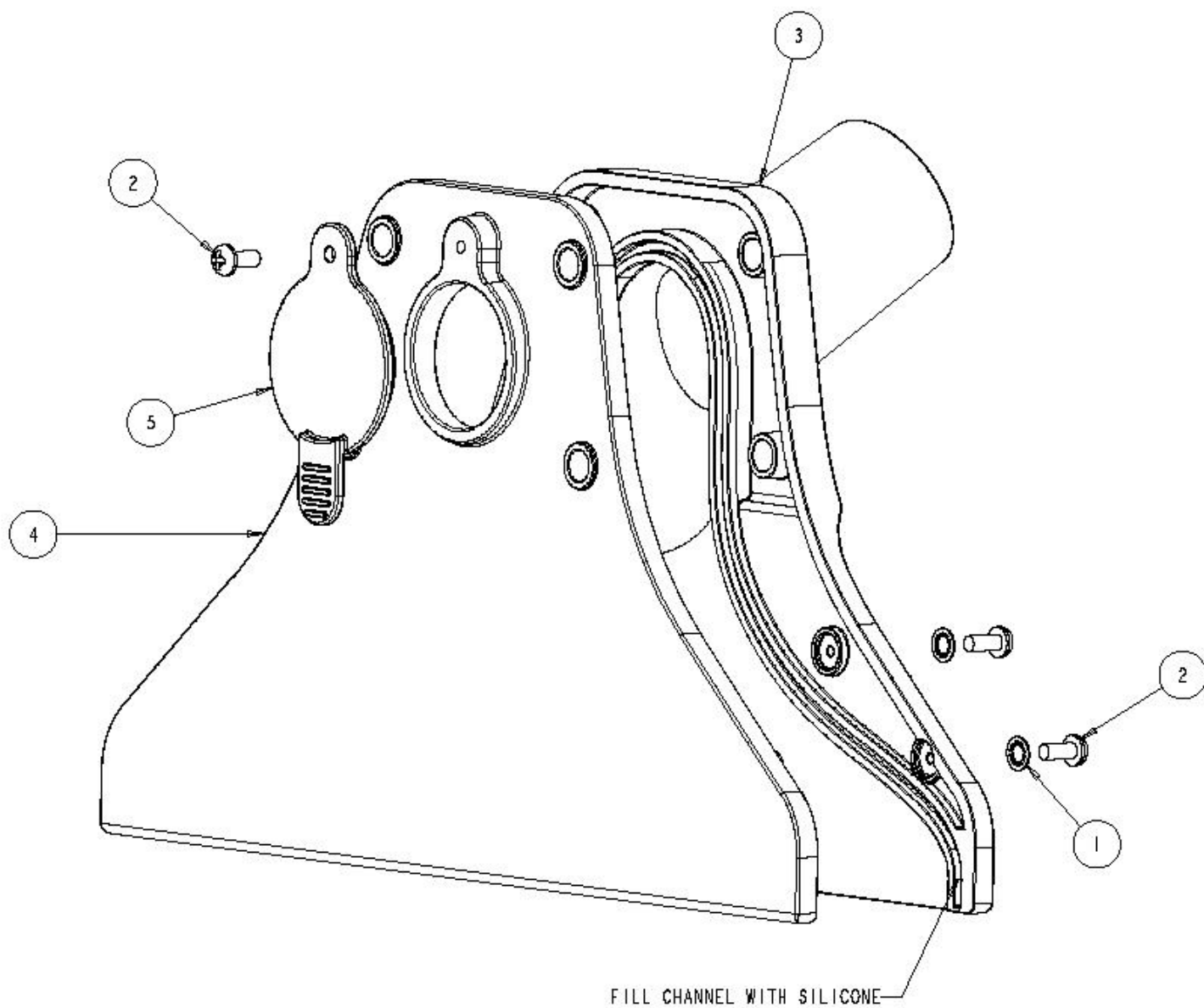


Vacuum Nozzle Assembly

Model :98150 Mini-Marathon 425 Carpet Extractor

	Number	Description	Qty Req.
1	11007	WASHER-LOCK(I/T)#10	5
2	32654	SCREW #10 .50L PNHD, HI-LO STL ZNC PLTD	6
3	32956	VAC NOZZLE-BACK	1
4	32957	VAC NOZZLE-FRONT	1
5	32958	HAND TOOL CAP	1

Vacuum Nozzle Assembly, Model:98150 Mini-Marathon 425 Carpet Extractor



Exterior Assembly

Model :98150 Mini-Marathon 425 Carpet Extractor

	Number	Description	Qty Req.
1	07870	WASHER-LOCK(I/T)1/4	4
2	15139	TERMINAL-Q.D.FEMALE 1/4 X 16/14GA.(FUL.INS)	5
3	15391	TERMINAL-Q.D.FEMALE 1/4 X 16/14GA.(PIGGYBK)	3
4	17177	SCREW-HEX HD CAP 1/4-20 X 1-1/4 (SS)	4
5	32971	1.5 HOSE DISCHARGE	1
6	32972	1.5 HOSE INTAKE	1
7	32994	DECAL PICTORAL INSTRUCTION	1
8	32995	DECAL WARNING	1
9	32996	DECAL PICTORAL HAZARD	1
10	32997	DECAL READ INSTRUCTIONS PICTORAL	1
11	32998	DECAL SOLUTION TANK WARNING	1
12	32999	DECAL RECOVERY TANK WARNING	1
13	33042-B	LABEL WINDSHEAR 3000 FRONT BLACK HOUSING	2
14	33066	WASHER-5/16" ID 11/32" OD STEEL	2
15	30812	DECAL-LOGO SWIRL 3.625 DIA. BLACK	1
16	33408	BOLT, SHOULDER 1/4-20 x 1.25L SS	2

