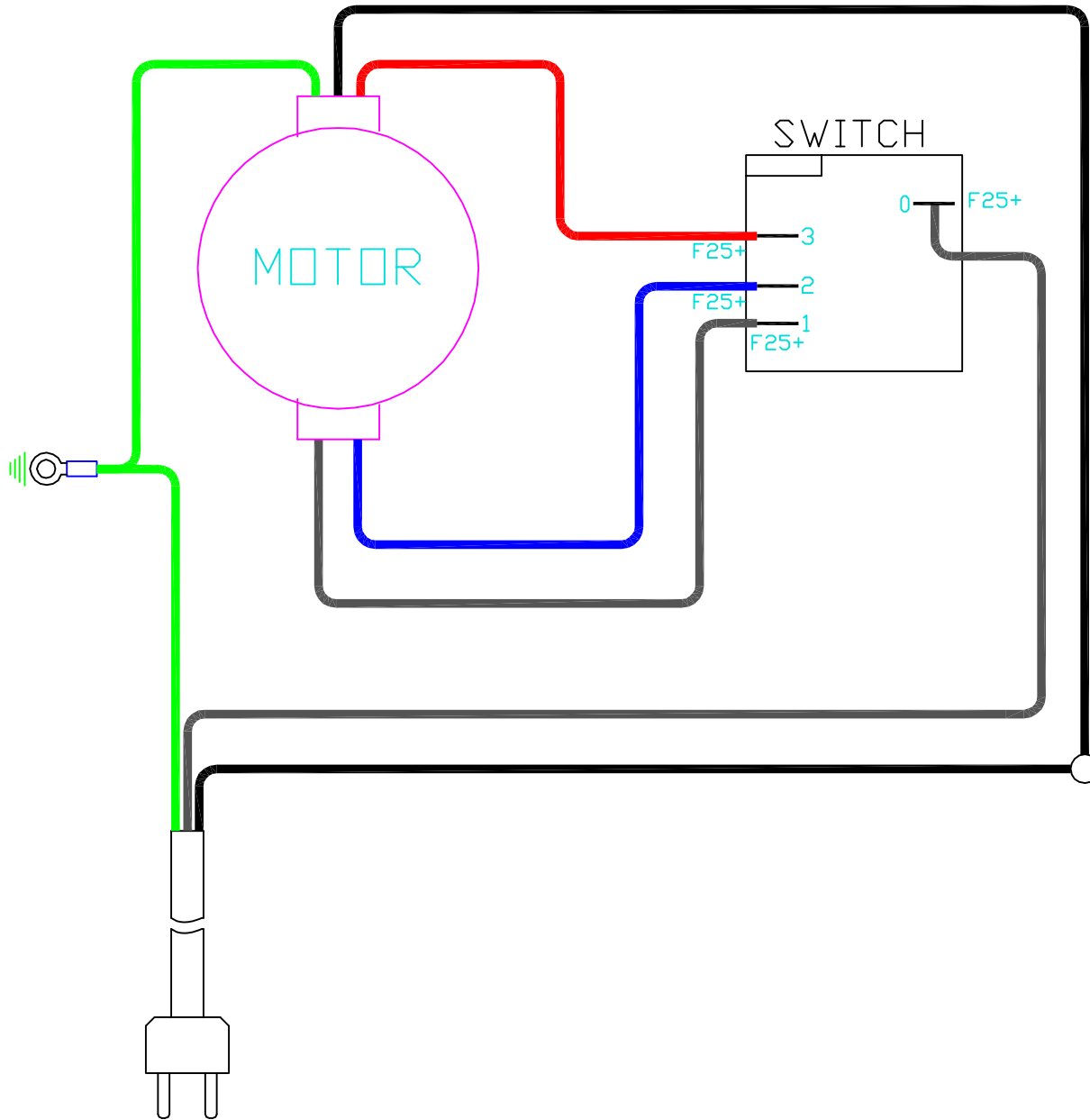


SCHEMATIC USED  
FOR THE FOLLOWING  
MACHINES:

PD500+	PD750-R+	-	-
PD500DX+	PD750DX+	-	-
PD500-Y+	PD500DX-YS+	-	-
PD750+	-	-	-



REV	DATE	ECN	DESCRIPTION	BY	Powr-Flite COMMERCIAL FLOOR CARE EQUIPMENT		
-	-	-	-	-	3101 Wichita Court Fort Worth, TX 76140-1755		
-	-	-	-	-	MATERIAL	FINISH	SCALE
-	-	-	-	-	DWN	DATE	SHT
-	-	-	-	AR	5/11/07	1 of 2	
X.X ±0.02 IN. RADI X.X ±0.02 X.XX ±0.01 IN. X.XX ±0.01 X.XXX ±0.005 IN. COMMON CONCENTRIC X.XXXX ±0.0005 IN. TO 0.002" ± 0°30'				POWR-FLITE CORPORATION CLAIMS PROPRIETARY RIGHTS IN THE MATERIAL DISCLOSED HEREIN. THIS DRAWING IS ISSUED FOR ENGINEERING INFORMATION ONLY. IT MAY NOT BE REPRODUCED, NOR MAY THE INFORMATION HEREIN BE USED FOR MANUFACTURING PURPOSES WITHOUT WRITTEN PERMISSION FROM POWR-FLITE CORP.			
BREAK SHARP EDGES TO .010 MAX.					DESCRIPTION <b>A</b> PART NUMBER		WPF007 <b>WIRING DIAGRAM</b>
							REV -

## Windshear SD3500 Schematic

Model :98776 Windshear SD3500 (115V)

	<b>Number</b>	<b>Description</b>	<b>Qty Req.</b>
1	X8261+	SCREW #6 X 1/2 PAN HD PHIL TYPE A BLK ZINC	1
2	X8872A+	INTAKE PANEL - MODIFIED	1
3	PD5+	Squirrel Cage W/Locknut 1/3 - 1/2 HP Models	1
4	X8876+	Dryer Housing	1
5	X8882+	DRYER MOTOR W/CAP 1/3 HP 3 SPEED CUSTOM MOUNT BRACKET	1
6	X8964+	SCREW 3/8-16 X 1/2 HEX HEAD FLAGE LOCKING	1
7	X8897+	SWITCH FOR PD750 PD500 _PD350 NEW DRYER	1
8	X8008N+	NUT LOCK 1/2" STEEL CONDUIT APPLETON	1
9	X8875+	MOTOR CONTROL PANEL	1
10	X8903+	SCREW M4X6 FLAT HEAD PHILLIPS DRYER SWITCH ASSEMBLY	1
11	PD1K+	KNOB DRYER SWITCH	1
12	PD8+	STRAIN RELIEF 1/2" NPT SCE	1
13	X8926+	20' HD 3 WIRE CORD 16/3 SJTW 115 VOLT (NEW DRYER)	1
14	X8870+	Dryer Discharge	1
15	X8256+	NUT 8-32 KEPS ZINC	1
16	X8278+	Screw 8-32 x 1/2 Phil Pan	1
17	PD3B+	DRYER FOOT N/S DRYER TALL	1
18	X8221+	Screw 8-32 x 3/4 Phil Pan	1
19	X8928+	FOOT RIGHT DRYER KICKSTAND	1
20	X8929+	FOOT LEFT DRYER KICKSTAND	1
21	X8874+	KICKSTAND DRYER	1
22	X8990+	HANDLE/WHEEL ASSEMBLY DRYER (2 PER BOX)	1
23	X8881+	DRYER MOTOR W/CAP 1/2 HP 3 SPEED CUSTOM MOUNT BRACKET	1
24	X8868+	DRYER MOTOR W/CAP 3/4 HP 3 SPEED CUSTOM MOUNT BRACKET	1
25	X8873+	Squirrel Cage W/Locknut 3/4 HP Model	1

**Windshear SD3500 Schematic, Model:98776 Windshear SD3500 (115V)**

