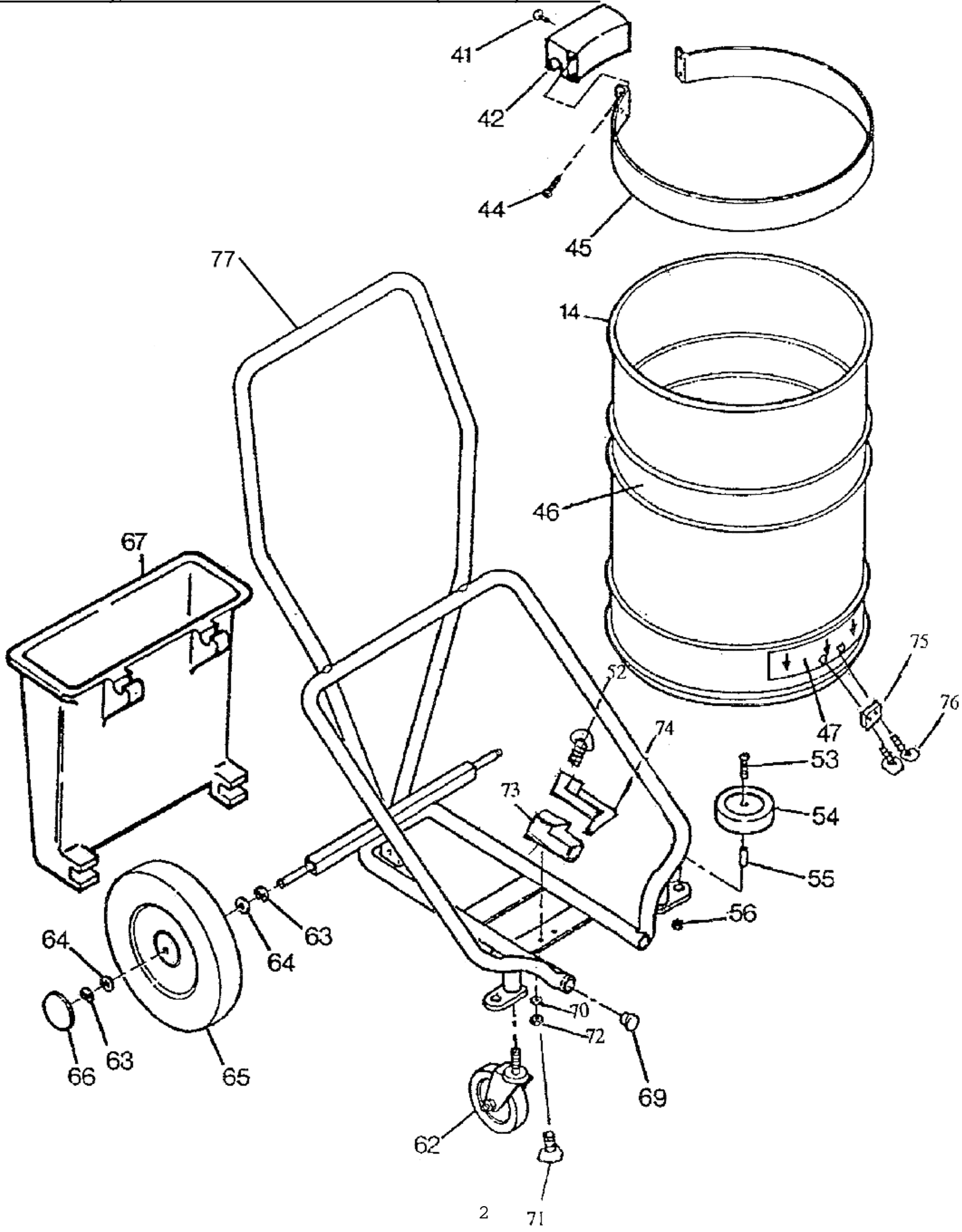


## Carrier Assembly

Model :97080 Headmaster CFV 7000 SS (18 Gallon) - Series D

|    | Number | Description                                    | Qty Req. |
|----|--------|--|----------|
| 41 | 3261   | SCREW-TCT(F)PAN HEAD#10-32 X 3/8"              | 1        |
| 42 | 17823  | PIVOT BLOCK-T/P CARRIER (HM-7000_TASKFORCE)    | 1        |
| 44 | 1995   | SCREW-PHIL. PAN HD MACH#10-32 X 7/8 (ZP)       | 4        |
| 45 | 17822  | TANK STRAP                                     | 1        |
| 46 | 30817  | DECAL-TORNADO W/ LOGO 2.25 WIDE X 9.50 LG. WHT | 1        |
| 47 | 14676  | DECAL-STEP-LIFT-STEP TANK                      | 1        |
| 48 | 3660   | SCREW-PHIL. PAN HD MACH#10-24 X 7/16 (ZP)      | 1        |
| 53 | 1978   | SCREW-PHIL. RND HD MACH1/4-20 X 1-1/2 (ZP)     | 2        |
| 54 | 3264   | USE #30044WHEEL-3" DIA (3/8" BORE)             | 2        |
| 55 | 17400  | SPACER-1/4                                     | 2        |
| 56 | 7533   | NUT-HEX.LOCK(P/T)1/4-20                        | 2        |
| 62 | 17373  | CASTER 4 DIA                                   | 2        |
| 63 | 2663   | USE #03470RING-RETAINING                       | 4        |
| 64 | 16581  | WASHER-PLAIN .563 ID (SS)                      | 4        |
| 65 | 2661   | WHEEL, 10"BLACK HUB                            | 2        |
| 66 | 3084   | CAP-HUB  | 2        |
| 67 | 17817  | TOOL BASKET (HM-7000_TASKFORCE)                | 1        |
|    | 98186  | CARRIER-TIP_POUR (TANK VACS.)                  |          |
| 69 | 17784  | PLUG-TUBE 18 GA. X 1OD                         | 4        |
| 70 | 1713   | WASHER-LOCK(H/S)#10                            | 3        |
| 71 | 4735   | SCREW-PHIL. TRUSS HD#10-24 X 3/4 (ZP)          | 6        |
| 72 | 11219  | WASHER-PLAIN #10 ID (ZP)                       | 2        |
| 73 | 18743  | BLOCK-LATCH MOUNTING                           | 1        |
| 74 | 18745  | LATCH-CARRIER TANK                             | 1        |
| 75 | 18744  | LATCH STOP                                     | 1        |
| 76 | 15621  | SCREW-HEX HD MACH #10-24 X 5/8 (ZP)            | 2        |
| 77 | 17818  | WELDMENT-CARRIER FRAME PAINT                   | 1        |
| 78 | 17832  | NUT-TP SPOT WELD #10-32                        | 2        |
|    | 17407  | DECALW/D 7000                                  | 1        |
|    | 11898  | DECALSTRIP TORNADO_LOGO                        | 1        |
|    | 98670  | VACUUM HEADMASTER 7000 115V HEAD ONLY TOX HEPA |          |
|    | 98671  | VACUUM HEADMASTER 7000 230V HEAD ONLY TOX HEPA |          |



## Head and Tank Assembly

Model :97080 Headmaster CFV 7000 SS (18 Gallon) - Series D

|    | Number | Description                                    | Qty Req. |
|----|--------|--|----------|
| 1  | 17451  | SCREW-PHIL. PAN HD MACH #10-24 X 7/16 (BLK.OX) | 7        |
| 2  | 17335  | COVER-VACUUM HEAD(HM)                          | 1        |
| 3  | 18055  | PANEL-ELECT.(HM-4000)                          | 1        |
| 4  | 17342  | SWITCH-ROCKER D.P.S.T. 20A/125-277VAC/1-1/2HP  | 1        |
| 8  | 17471  | ASSEMBLY-VAC. HEAD BASE(HEADMASTER)            | 1        |
| 9  | 3105   | NUT-CLINCH,#10-24                              | 2        |
| 10 | 10894  | NUT-HEX.LOCK(P/T) #10-24                       | 1        |
| 11 | 17398  | INTAKE HOSE RETAINER ASSEMBLY(SPRING PLUNGER)  | 1        |
| 12 | 17368  | INTAKE-VACUUM HEAD(HM)                         | 1        |
| 13 | 17405  | GASKET-TANK(HM VACS.)                          | 1        |
| 14 | 17389  | TANK-18 GALLON                                 | 1        |
| 15 | 17472  | ASSEMBLY-INTAKE PLATE(HM VACS.)                | 1        |
| 16 | 17430  | INTAKE ELBOW ADAPTOR                           | 1        |
| 17 | 17339  | INTAKE ELBOW-90 DEG. (HM VACS.)                | 1        |
| 18 | 17371  | FILTER HOLDER-HEPA(HM7) SERVICE USE:17473      | 1        |
| 19 | 17600  | GASKET   | 2        |
| 20 | 17354  | BRACKET-TANK LATCH MTG. (L/H)                  | 2        |
| 21 | 17356  | BRACKET-TANK LATCH MTG. (R/H)                  | 2        |
| 22 | 17357  | LATCH-TANK(VAC.HEAD) (HM VACS.)                | 2        |
| 23 | 17353  | SPRING-TANK LATCH                              | 2        |
| 24 | 11007  | WASHER-LOCK(I/T)#10                            | 2        |
| 25 | 11390  | SCREW-T.C.T.(BT)PAN HEAD #10-16 X 5/8          | 20       |
| 27 | 19412  | ASSEMBLY-POWER CORD 115V (HM VACS)             | 1        |
| 28 | 2961   | BUSHING-STRAIN RELIEF(6L-1)                    | 1        |
| 29 | 17376  | NUT-HEX.LOCK #10-24(NYLON)                     | 1        |
| 30 | 17377  | PANEL-MOTOR EXHAUST VENT (HM VACS.)            | 1        |
| 33 | 10971  | CAST NOZZLE THROAT                             | 1        |
| 34 | 17348  | MOTOR-VACUUM BYPASS P/D 2-STAGE 115V/50-60HZ   | 1        |
|    | 17426  | MOTOR-VACUUM BYPASS P/D 2-STAGE 230V/50-60HZ   | 1        |
| 35 | 98592  | FILTER-HEPA(MAIN) (H/M 6000 _7000)             | 1        |
| 36 | 14669  | SCREW-PHIL. RND HD MACH 1/4-20 X 2-1/4 (ZP)    | 1        |
| 37 | 17816  | BAFFLE(HM VACS.)                               | 1        |
| 38 | 17562  | ELECTRICAL PANEL CLOSURE (HM VACS.)            | 1        |
| 39 | 98593  | IMPACT SCAFITEX FILTER (H/M 6000 _7000)HEPA    | 1        |
| 40 | 98588  | FILTER-PAPER BAG(12/PK) PRIMARY(HM-7000)HEPA   | 1        |
|    | 30817  | DECAL-TORNADO W/ LOGO 2.25 WIDE X 9.50 LG. WHT | 1        |

Head and Tank Assembly, Model:97080 Headmaster CFV 7000 SS (18 Gallon) - Series D

