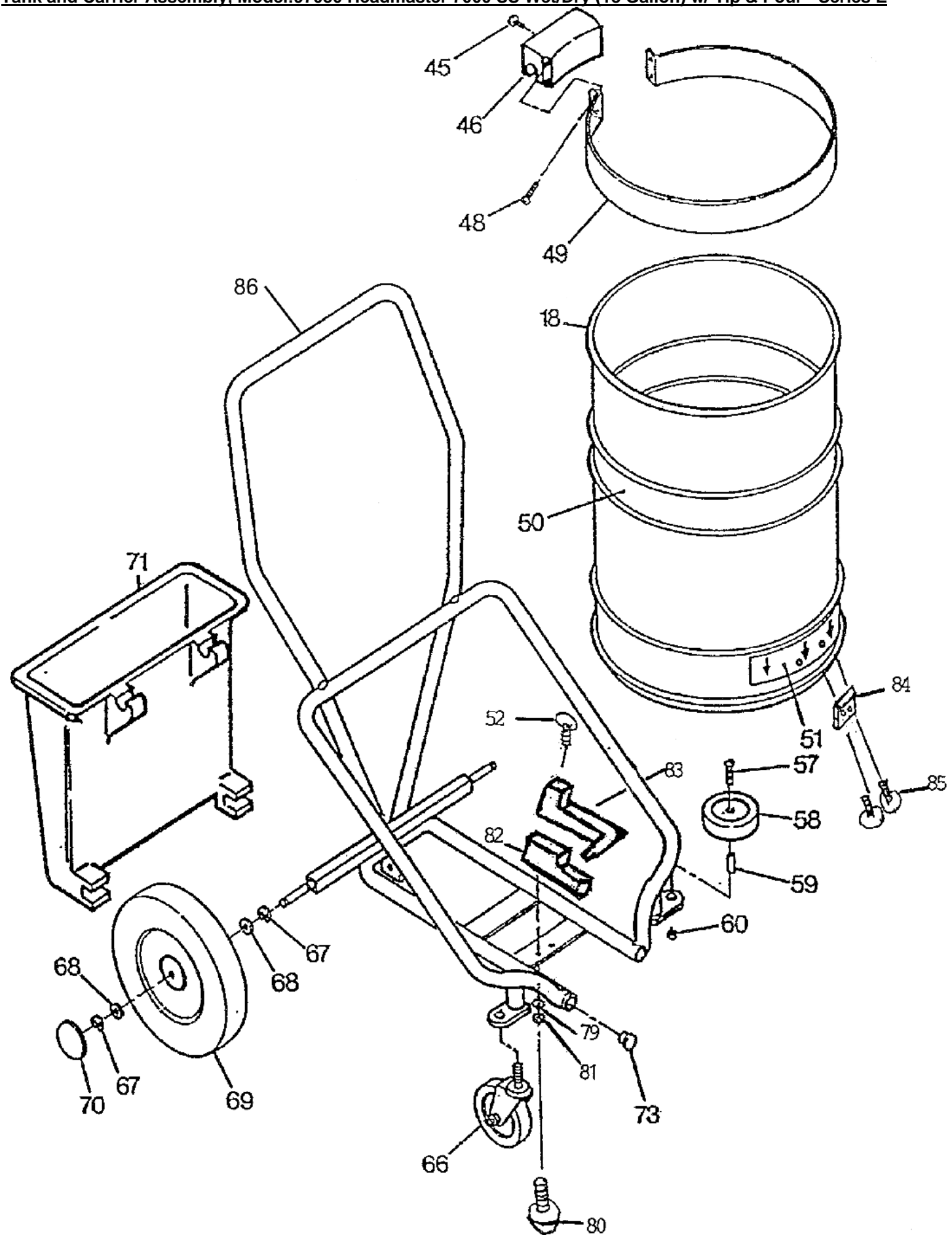


Tank and Carrier Assembly

Model :97050 Headmaster 7000 SS Wet/Dry (18 Gallon) w/ Tip & Pour - Series E

	Number	Description	Qty Req.
45	03261	SCREW-TCT(F)PAN HEAD #10-32 X 3/8	1
46	17823	PIVOT BLOCK-T/P CARRIER (HM-7000_TASKFORCE)	1
48	01995	SCREW-PHIL. PAN HD MACH #10-32 X 7/8 (ZP)	4
49	17822	TANK STRAP	1
50	30817	DECAL-TORNADO W/ LOGO 2.25 WIDE X 9.50 LG. WHT	1
51	14676	DECAL-STEP-LIFT-STEP TANK	1
52	03660	SCREW-PHIL. PAN HD MACH #10-24 X 7/16 (ZP)	1
57	01978	SCREW-PHIL. RND HD MACH 1/4-20 X 1-1/2 (ZP)	2
58	03264	USE #30044WHEEL-3" DIA (3/8" BORE)	2
59	17400	SPACER-1/4	2
60	07533	NUT-HEX.LOCK(P/T) 1/4-20	2
66	17373	CASTER 4 DIA	2
67	02663	USE #03470RING-RETAINING	4
68	19616	WASHER-PLAIN .563 ID (SS)	4
69	02661	WHEEL 10 BLACK HUB	2
70	03084	CAP-HUB	2
71	17817	TOOL BASKET (HM-7000_TASKFORCE)	1
	98186	CARRIER-TIP_POUR (TANK VACS.)	
73	17784	PLUG-TUBE 18 GA. X 1OD	4
79	01713	WASHER-LOCK(H/S)#10	2
80	04735	SCREW-PHIL. TRUSS HD #10-24 X 3/4 (ZP)	2
81	11219	WASHER-PLAIN #10 ID (ZP)	2
82	18743	BLOCK-LATCH MOUNTING	1
83	18745	LATCH-CARRIER TANK	1
84	18744	LATCH STOP	1
85	15621	SCREW-HEX HD MACH #10-24 X 5/8 (ZP)	2
86	17818	WELDMENT-CARRIER FRAME PAINT	1
	17407	DECALW/D 7000	1
	30817	DECAL-TORNADO W/ LOGO 2.25 WIDE X 9.50 LG. WHT	1
	97475	VACUUM HEADMASTER 7000 115V HEAD ONLY	



Head Assembly

Model :97050 Headmaster 7000 SS Wet/Dry (18 Gallon) w/ Tip & Pour - Series E

	Number	Description	Qty Req.
1	17419	SCREW-PHIL. RND HD MACH #10-24 X 1/2 (NYLON)	1
2	17335	COVER-VACUUM HEAD(HM)	1
3	17427	PANEL	1
4	17344	RECEPTACLE (HEADMASTER)	1
5	17349	SCREW-PHIL. FLAT HD MACH #6-32 X 1/2 (BLK.OX)	2
6	01246	WASHER-LOCK(H/S)# 6	2
7	00616	NUT-FINISHED HEX #6-32 (ZP)	2
8	17342	SWITCH-ROCKER D.P.S.T. 20A/125-277VAC/1-1/2HP	1
12	17471	ASSEMBLY-VAC. HEAD BASE(HEADMASTER)	1
13	03105	NUT-CLINCH #10-24	2
14	10894	NUT-HEX.LOCK(P/T) #10-24	1
15	17398	INTAKE HOSE RETAINER ASSEMBLY(SPRING PLUNGER)	1
16	17368	INTAKE-VACUUM HEAD(HM)	1
17	17405	GASKET-TANK(HM VACS.)	1
18	17389	TANK-18 GALLON	1
19	17472	ASSEMBLY-INTAKE PLATE(HM VACS.)	1
20	17430	INTAKE ELBOW ADAPTOR	1
21	17339	INTAKE ELBOW-90 DEG. (HM VACS.)	1
23	18516	FLOAT(HM VACS.)	1
26	98585	FILTER-FOAM(12/PK) VAC.MOTOR INTAKE(HM)	1
28	17354	BRACKET-TANK LATCH MTG. (L/H)	2
29	17356	BRACKET-TANK LATCH MTG. (R/H)	2
30	17357	LATCH-TANK(VAC.HEAD) (HM VACS.)	2
31	17353	SPRING-TANK LATCH	2
32	11007	WASHER-LOCK(I/T)#10	1
33	11390	SCREW-T.C.T.(BT)PAN HEAD #10-16 X 5/8	20
34	31352	LEAD WIRE 6 LG. BLK (HEADMASTER)	2
35	17347	GROUND LEAD WIRE	1
37	19412	ASSEMBLY-POWER CORD 115V (HM VACS)	1
	31070	POWER CORD 50 FT(230V) INTER.HARM.-CEE 7/7 PLUG	1
38	02961	BUSHING-STRAIN RELIEF (6L-1)	1
39	17376	NUT-HEX.LOCK #10-24(NYLON)	1
40	17377	PANEL-MOTOR EXHAUST VENT (HM VACS.)	1
41	17848	SCREW-PHIL. TRUSS HD #10-24 X 1/2 (SS)	4
43	10671	USE #02941	1
44	17348	MOTOR-VACUUM BYPASS P/D 2-STAGE 115V/50-60HZ	1
	17426	MOTOR-VACUUM BYPASS P/D 2-STAGE 230V/50-60HZ	1
	03186	GASKET	1
	98609	FILTER-CLOTH BAG(WET) (HEADMASTER VACS)	1
45	98766	FILTER-CLOTH BAG(DRY) (HEADMASTER VACS)	1
46	18538	RETAINER-FLOAT CAGE(HM)	1
47	17816	BAFFLE(HM VACS.)	1
48	17562	ELECTRICAL PANEL CLOSURE (HM VACS.)	1
51	18515	FLOAT CAGE(HM VACS.)	1
52	17451	SCREW-PHIL. PAN HD MACH #10-24 X 7/16 (BLK.OX)	7