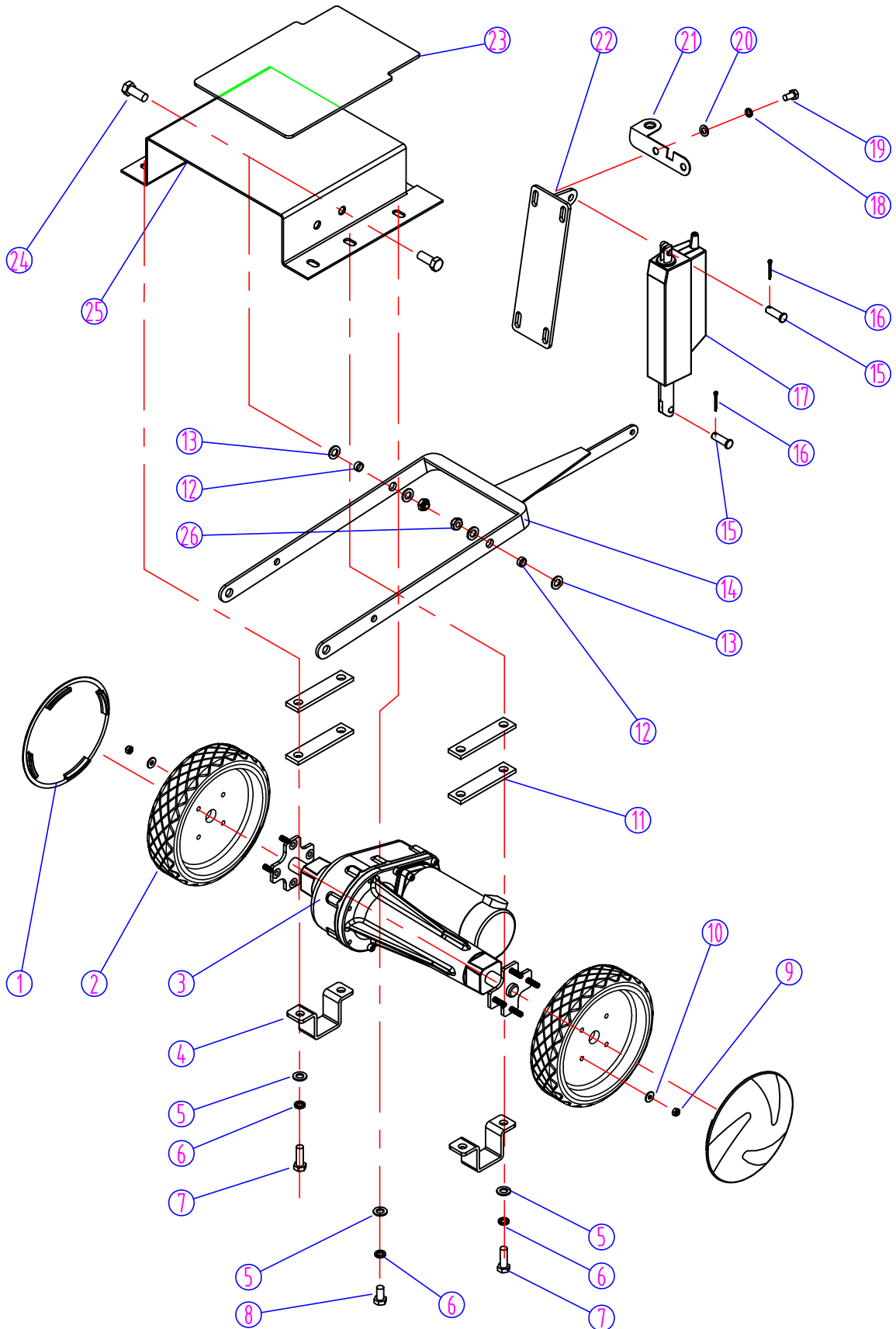


PARTS LIST

FANG20HD - BRUSH LIFT / DRIVE ASSEMBLY

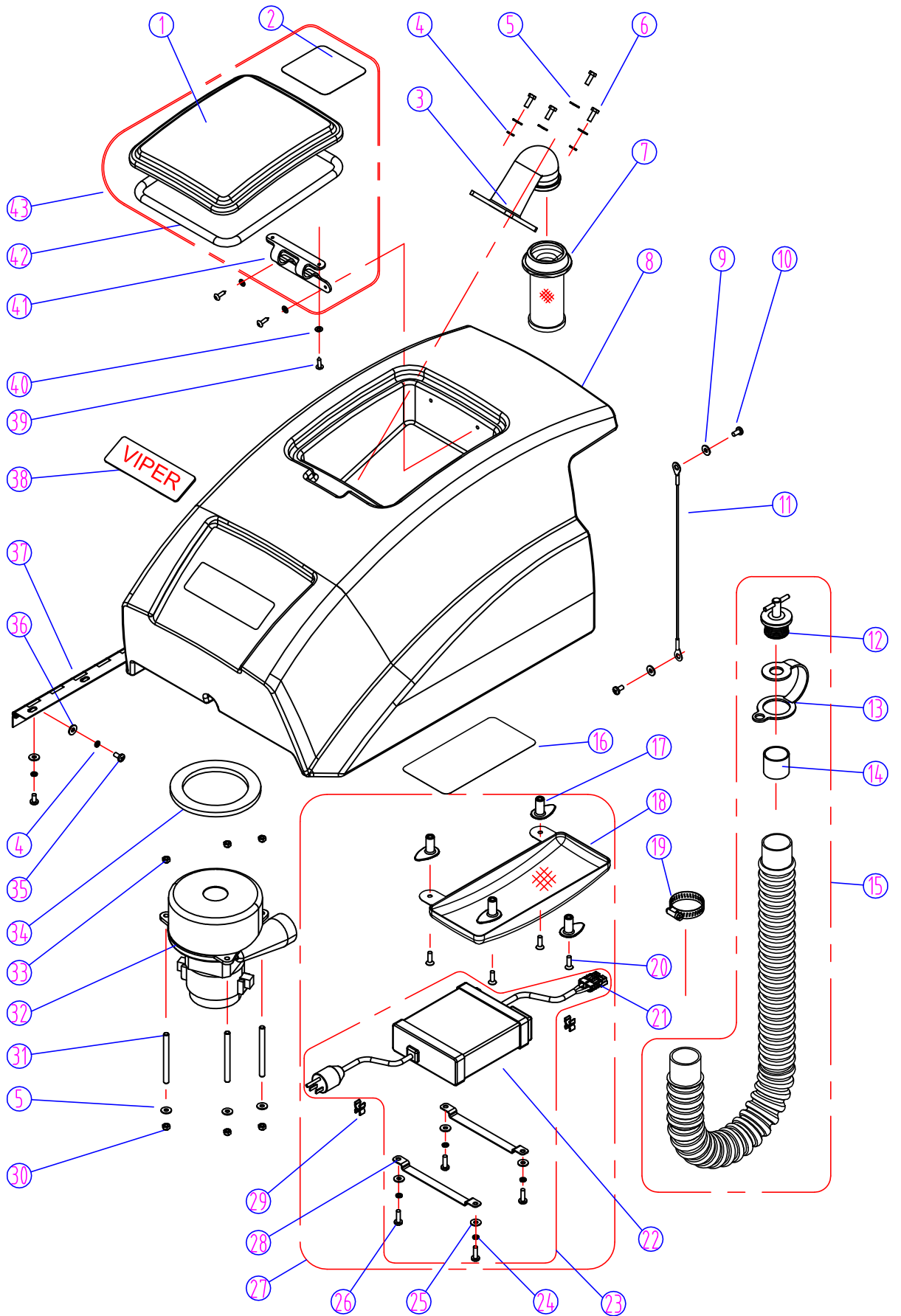


FANG20HD - BRUSH LIFT/DRIVE ASSEMBLY

DIA NO	PART NUMBER	DESCRIPTION	NO REQ'D	LIST \$ (ea)
1	VF82080	HUB CAP	2	\$13.38
2	VF81106	WHEEL, 8"	2	\$72.25
3	VF81600	TRANSAXLE	1	\$814.00
	ZD72000A	TRANSAXLE MOTOR, 24VDC	1	\$179.38
4	VF81102	BRACKET, TRANSAXLE MOUNT	2	\$6.25
5	VF13537	WASHER, PLAIN, M10 X M26 X 2	6	\$1.25
6	VF13518	WASHER, LOCK, M10	6	\$1.13
7	VF13636	SCREW, M10 X 45	4	\$1.88
8	VF13634	SCREW, M10 X 30	2	\$1.88
9	VF13502	NUT, LOCK, M6	8	\$1.13
10	VF13533	WASHER, PLAIN, M6 X M16 X 2	8	\$1.13
11	VF81103	SPACER	4	\$1.63
12	VF82016A	BUSHING	2	\$1.50
13	VF13538	WASHER, PLAIN, M12 X M22 X 2	4	\$1.88
14	VF82803	BRACKET, LIFT MOTOR	1	\$22.13
15	VF83139	PIN, M10 X 30	2	\$2.25
16	VF14084	PIN, COTTER, M3.2 X 24	2	\$1.13
17	VF81301	ACTUATOR	1	\$265.38
18	VF13519	WASHER, LOCK, M8	4	\$1.13
19	VV13604	SCREW, M8 X 20	4	\$1.50
20	VF13535	WASHER, PLAIN, M8 X M20 X 2	4	\$1.50
21	VF83126	BRACKET, CABLE GUIDE	1	\$10.50
22	VF83135	BRACKET, ACTUATOR	1	\$18.00
23	VF83115	SPACER, BATTERY	1	\$15.00
24	VF14247	SCREW, M12 X 25	2	\$2.63
25	VF81101A	PLATE, BASE TRANSAXLE	1	\$60.88
26	VF13501	NUT, LOCK, M12	2	\$1.25

PARTS LIST

FANG 20 & FANG 20T - RECOVERY TANK ASSEMBLY

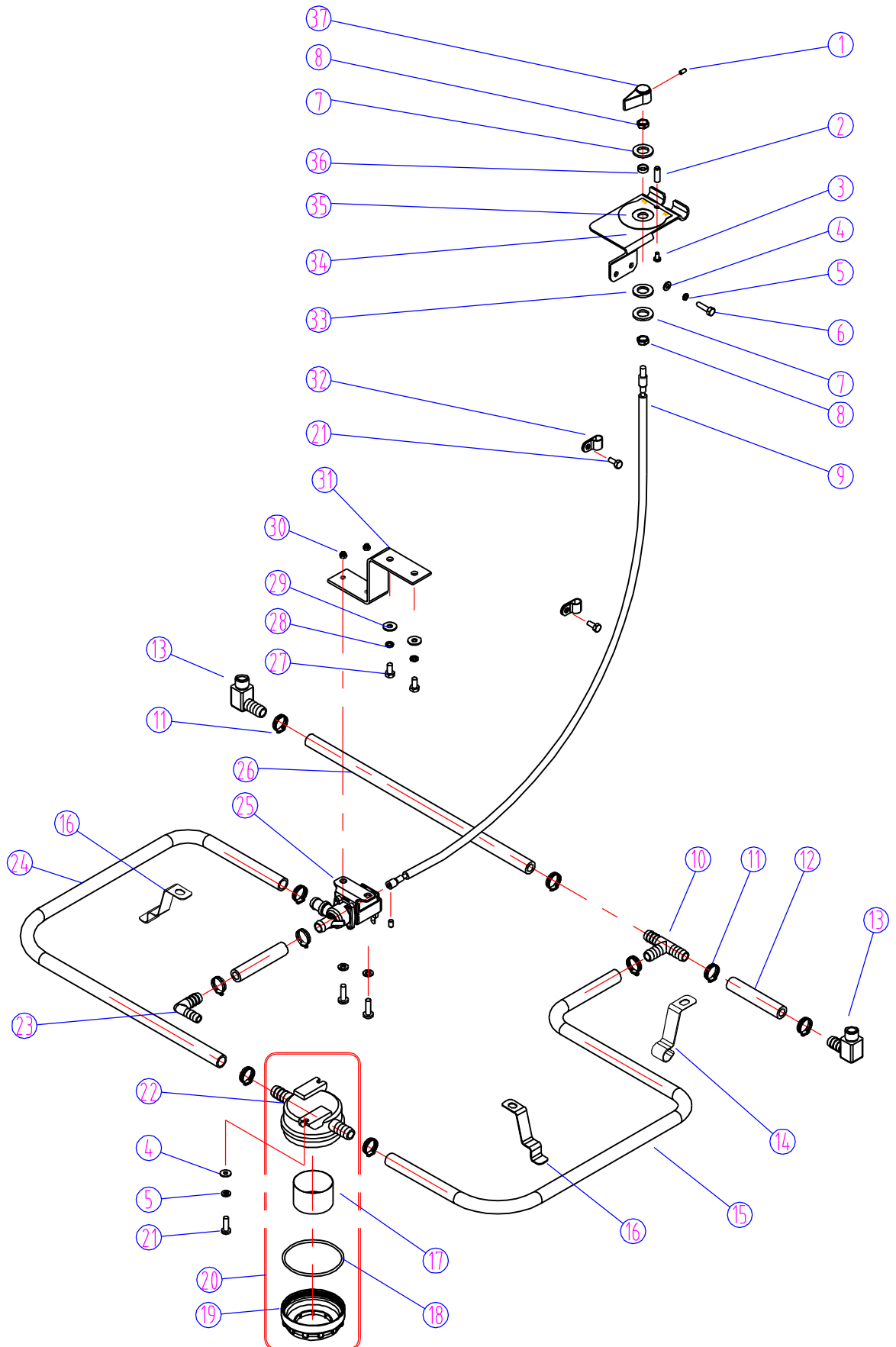


RECOVERY TANK - FANG 20 & FANG20T

DIA NO	PART NUMBER	DESCRIPTION	NO REQ'D	LIST \$ (ea)
1	VF82010	CLEAR COVER, RECOVERY TANK	1	\$16.13
2	VF82083	DECAL, BATTERY WARNING	1	\$6.25
3	VF82009	ELBOW ADAPTOR, FLOAT	1	\$12.38
4	VV13607	WASHER, LOCK, M6	13	\$1.13
5	VF13533	WASHER, PLAIN, M6 X M16 X 2	7	\$1.13
6	VF14233	SCREW, M6 X 20	4	\$1.13
7	VF81504	FLOAT	1	\$17.50
8	VF82002	RECOVERY TANK	1	\$577.50
9	VF13528	WASHER, TOOTH, LOCK, M6	2	\$1.13
10	VF13495	SCREW, M6 X 16	2	\$1.13
11	VF82028	CABLE	1	\$9.75
12	VF81509	PLUG, EXPANSION	1	\$23.00
13	VF81510-9	STRAP, DRAIN HOSE	1	\$3.50
14	VF81510-2	SLEEVE, DRAIN HOSE	1	\$7.00
15	VF81510A	DRAIN HOSE ASSEMBLY	1	\$83.25
16	VF82115	DECAL, BATTERY INSTALLATION	1	\$8.13
17	VF82318	HOOK, CABLE	4	\$1.75
18	VF82326	MESH COVER, CABLE	1	\$6.13
19	VV10113	CLAMP, 2"	1	\$2.63
20	VF14225A	SCREW, M6 X 40	4	\$1.13
21	VF81723	CONNECTOR	1	\$15.88
22	VF82331	ON BOARD CHARGER, 9AMP, 24V	1	\$577.50
23	VF82332A	KIT, CHARGER REPLACEMENT	1	\$577.50
24	VV13601	WASHER, LOCK, M5	4	\$1.13
25	VF13532	WASHER, PLAIN, M5 X M11 X 2	4	\$1.13
26	VV20501	SCREW, M5 X 14	4	\$1.13
27	VF82331A	KIT, ON BOARD CHARGER	1	\$6.00
28	VF82332	CLAMP, CHARGER	2	\$577.50
29	VF82320	CLAMP, CABLE	2	\$1.50
30	VF13502	NUT, LOCK, M6	3	\$1.13
31	VF82310	STUD	3	\$5.25
32	ZD53000	MOTOR, VAC, 2-STAGE, 24VDC	1	\$265.38
33	VF13521	NUT, M6	3	\$1.13
34	VF81503	SEAT	1	\$5.25
35	VF14200	SCREW, M6 X 16	9	\$1.13
36	GT13032	WASHER, PLAIN, M6 X M16 X 1.5	9	\$1.13
37	VF82011	HINGE, RECOVERY TANK	1	\$27.38
38	VF82082	LOGO	1	\$13.50
39	VA13477	SELF-TAPPING SCREW, ST, 4X16	4	\$1.13
40	VV13664	WASHER, PLAIN, M4 X M12 X 1	4	\$1.13
41	VF82010A	RUBBER HINGE	1	\$10.50
42	VF82010B	GASKET	1	\$7.75
43	VF82010X	KIT, CLEAR LID	1	\$31.75

PARTS LIST

FANG 20 & FANG 20T - SOLUTION CONTROL ASSEMBLY

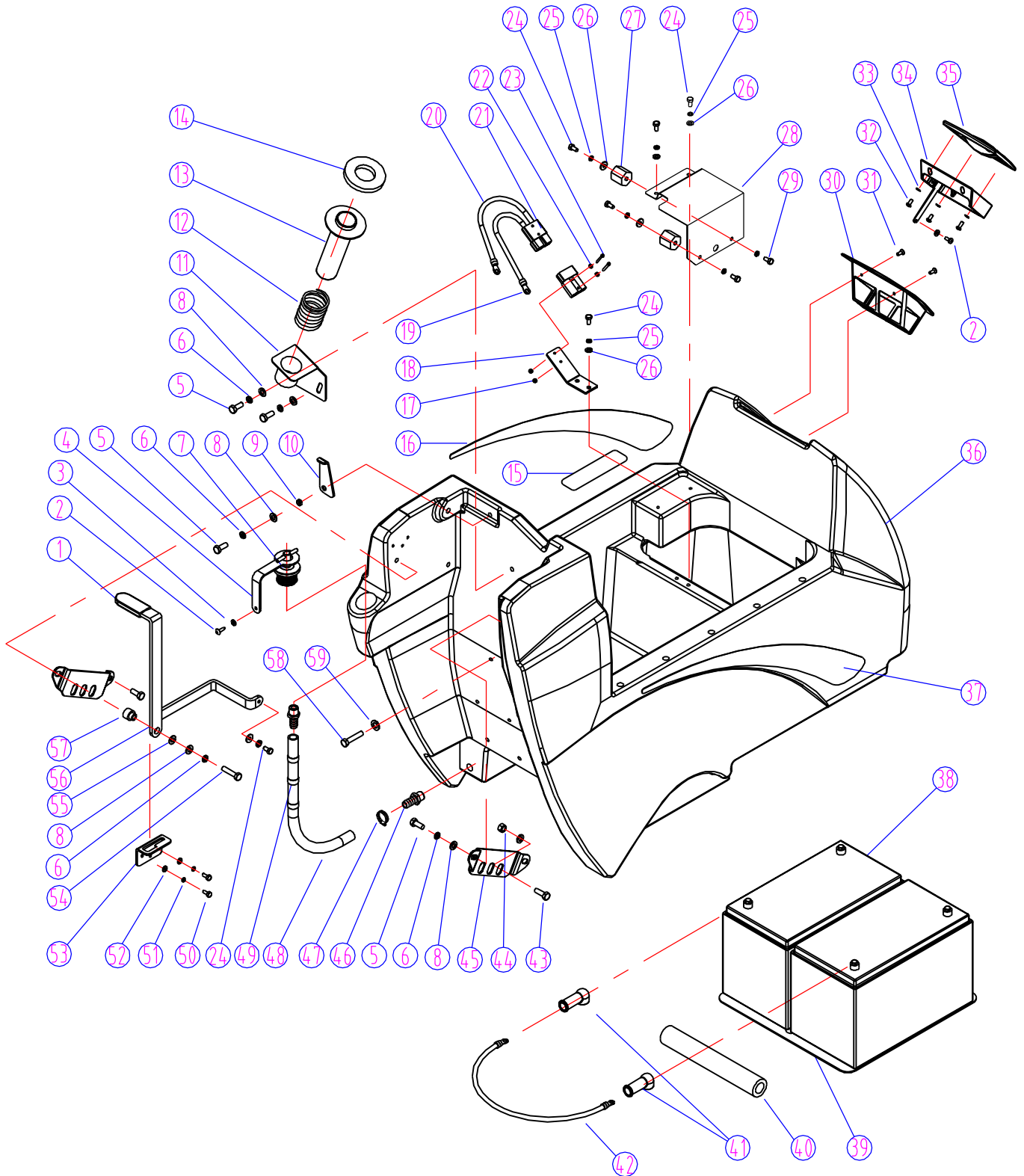


SOLUTION CONTROL - FANG 20 & FANG 20T - LIST PRICE

DIA NO	PART NUMBER	DESCRIPTION	NO REQ'D	LIST \$ (ea)
1	VF14245	SCREW, M5 X 6	2	\$1.13
2	VF82036	SHAFT	1	\$2.00
3	VV13650	SCREW, M4 X 10	1	\$1.13
4	VF13532	WASHER, PLAIN, M5	4	\$1.13
5	VV13601	WASHER, LOCK, M5	5	\$1.13
6	VF14230	SCREW, M5 X 15	2	\$1.13
7	VF13536	WASHER, PLAIN, M9.8 X M16 X 1	2	\$1.13
8	VF82075	NUT, 3/8"	2	\$1.13
9	VF82035	CABLE, SOLENOID	1	\$15.00
10	VF82040	HOSE BARB, TEE	1	\$3.00
11	VF82148	CLAMP, 16mm	10	\$1.25
12	VF82138	TUBING, 75mm	1	\$2.50
13	VF81403A	ELBOW, SOLUTION TANK	2	\$13.63
14	VF82134	BRACKET, TUBING	1	\$2.38
15	VF82135	TUBING, 690mm	1	\$8.63
16	VF82133	CLAMP, TUBING	1	\$2.38
17	VF80113	MESH FILTER (2.75" / VIP)	1	\$5.38
	HP1012	MESH FILTER (1.5" / HY PRO)	1	\$8.63
18	VF82139	"O"RING (2.75" / VIP)	1	\$3.13
	HP1013	"O" RING (1.5" / HY PRO)	1	\$4.75
19	VF80111	CLEAR COVER, FILTER (2.75" / VIP)	1	\$12.38
	HP1011	CLEAR COVER, FILTER (1.5" / HY PRO)	1	\$17.00
20	VF80111A	KIT, FILTER ASSEMBLY (2.75" / VIP)	1	\$41.88
	HP1016	KIT, FILTER ASSEMBLY (1.5" / HY PRO)	1	\$49.38
21	VV20509	SCREW, M5 X 10	4	\$1.13
22	VF80112	MOUNTING BASE, FILTER (2.75" / BLK / VIP)	1	\$19.88
	HP1014	MOUNTING BASE, FILTER (1.5" / WHITE / HY PRO)	1	\$20.88
23	VF82041	ELBOW, HOSE BARB	1	\$2.00
24	VF82136	TUBING, 590mm	1	\$7.25
25	VF82033-20	SOLUTION VALVE SOLENOID, 24VDC	1	\$27.13
26	VF82137	TUBING, 205mm	1	\$3.88
27	VF13495	SCREW, M6 X 16	4	\$1.13
28	VV13607	WASHER, LOCK, M6	2	\$1.13
29	VF13533	WASHER, PLAIN, M6 X M16 X 2	4	\$1.13
30	VF13502	NUT, LOCK, M6	2	\$1.13
31	VF82034	BRACKET, SOLENOID	1	\$10.88
32	VF81118	CLAMP	3	\$1.38
33	VF13540	WASHER, WAVE, M12	1	\$1.13
34	VF82037	BRACKET, DRAIN HOSE & VALVE	1	\$13.38
35	VF82069	LABEL, VALVE	1	\$2.50
36	VF82074	BUSHING	1	\$1.25
37	VF82038	KNOB, VALVE ADJUST	1	\$4.50

PARTS LIST

SOLUTION TANK GROUP FOR FANG 20 & FANG 20T



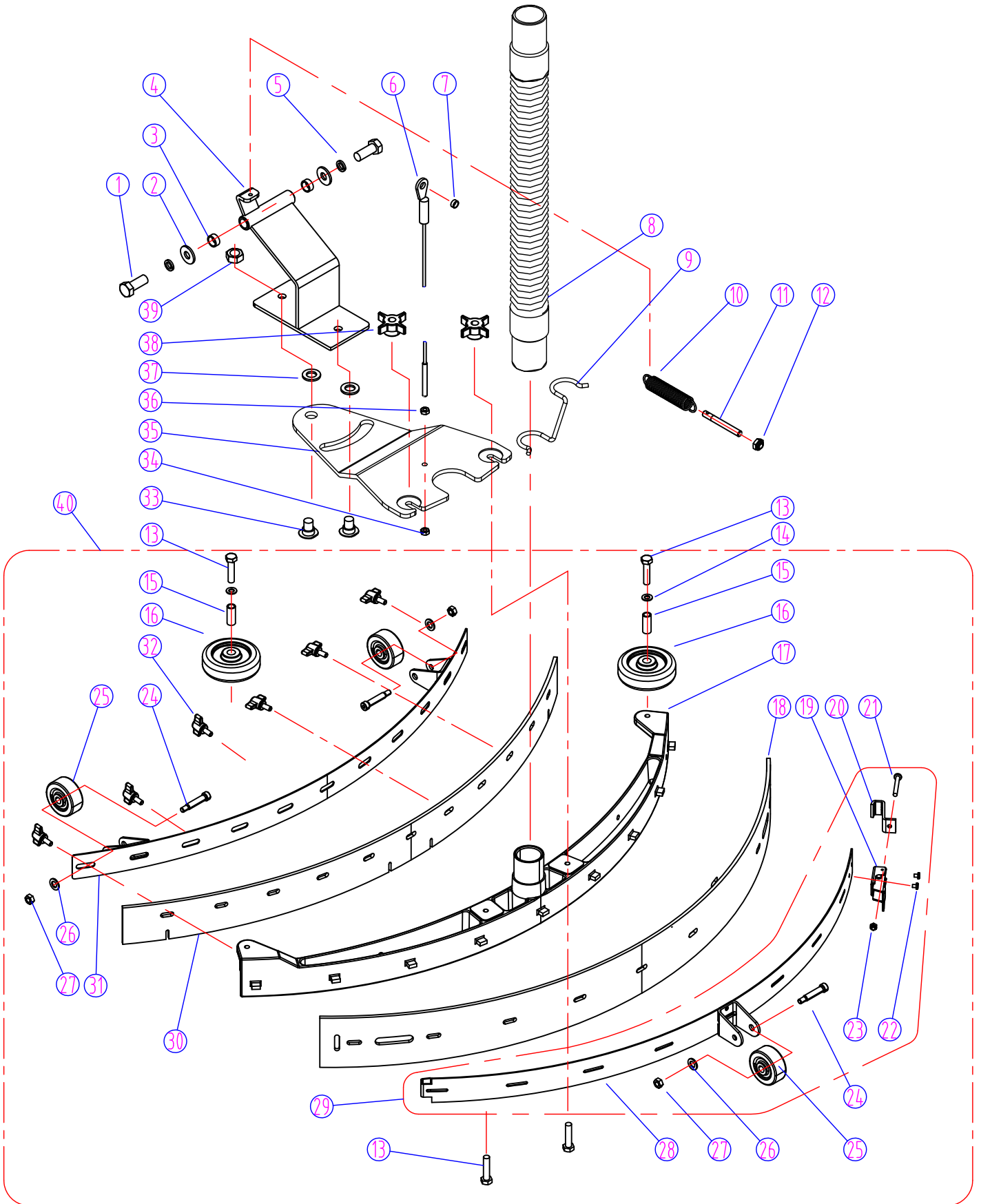
SOLUTION TANK - FANG 20 & FANG 20T - LIST PRICE

DIA NO	PART NUMBER	DESCRIPTION	NO REQ'D	LIST \$ (ea)
1	VF81405	GRIP, HANDLE, RED	1	\$2.38
	VF81405BD	GRIP, HANDLE, BLACK	1	\$2.38
2	VA13477	SELF-TAPPING SCREW, ST, 4 X 16	3	\$1.13
3	VV13664	WASHER, PLAIN, M4 X M12 X 1	1	\$1.13
4	VF81507	STRAP, PLUG, REAR FILL	1	\$3.63
5	VV13604	SCREW, M8 X 20	6	\$1.50
6	VF13519	WASHER, LOCK, M8	6	\$1.13
7	VF81509	PLUG, EXPANSION	1	\$23.00
8	VF13535	WASHER, PLAIN, M8 X M20 X 2	8	\$1.50
9	VF81406	BUSHING	1	\$1.25
10	VF81404	SUPPORT, RECOVERY TANK	1	\$3.88
11	VF82029	BRACKET, VAC TUBE	1	\$18.00
12	VF82032	SPRING	1	\$7.00
13	VF82030	ADAPTER, TUBE	1	\$21.38
14	VF82031	GASKET, TUBE ADAPTER	1	\$2.50
15	VF82123	DECAL	1	\$2.00
16	VF82070	LABEL, LEFT FANG	1	\$19.75
17	VV13652	NUT, LOCK, M3	2	\$1.13
18	VF82114	BRACKET, CHARGE PLUG	1	\$3.88
19	VF82402	WIRE, #6 X 600	1	\$6.25
20	VF82401	WIRE, #6 X 600	1	\$6.25
21	VF81723	CONNECTOR	2	\$15.88
22	VF13511	WASHER, TOOTH, M3	2	\$1.13
23	VF14244	SCREW, M3 X 20	2	\$1.13
24	VF13495	SCREW, M6 X 16	7	\$1.13
25	VV13607	WASHER, LOCK, M6	9	\$1.13
26	GT13032	WASHER, PLAIN, M6 X M16 X 1.5	7	\$1.13
27	VF81715	STANDOFF	2	\$2.38
28	VF82067	BRACKET	1	\$10.50
29	VF14232	SCREW, M6 X 10	2	\$1.25
30	VF82078	SCREEN, FILL	1	\$15.50
31	VF13543	SELF-TAPPING SCREW, ST4 X 16	2	\$1.13
32	VF13544	SELF-TAPPING SCREW, ST, 4 X 10	6	\$1.13
33	VA13483	WASHER, PLAIN, M4 X M9 X 0.8	7	\$1.13
34	VF82081	PLUG, FILL SCREEN	1	\$13.38
35	VF82079	COVER, FILL SCREEN	1	\$10.00
36	VF82001	SOLUTION TANK	1	\$769.25
37	VF82071	LABEL, RIGHT FANG	1	\$19.75
38	BAT105I	BATTERY, 105A/H, 12V	2	CALL
	BAT130I	BATTERY, 130A/H, 12V	2	CALL
39	VF82076	PLATE	1	\$13.38
40	VF82072	SPACER, BATTERY	1	\$11.88
41	VF81724	CAP, BATTERY, BLACK	2	\$2.63
	VF81724R	CAP, BATTERY, RED	2	\$2.63

42	VF82403	CABLE, BATTERY	1		\$16.00
43	VF14234	SCREW, M8 X 16	2		\$1.50
44	VF13513	NUT, M8	2		\$1.13
45	VF81408	PLATE, LOCK	2		\$17.38
46	VF81416	HOSE BARB	2		\$10.50
47	VF82090	CLAMP (16-25)	1		\$2.63
48	VF82061	TUBING	1		\$13.38
49	VF82306A	KIT, LABEL, MARKERS	1		\$3.75
50	VF14230	SCREW, M5 X 15	3		\$1.13
51	VV13601	WASHER, LOCK, M5	3		\$1.13
52	VF13532	WASHER, PLAIN, M5 X M11 X 2	3		\$1.13
53	VF81202	PLATE, SQUEEGEE, LOCK	1		\$10.00
54	VF14235	SCREW, M8 X 35	1		\$1.63
55	VF48216	WASHER, LOCK	1		\$1.13
56	VF82050	HANDLE, SQUEEGEE, LIFT	1		\$16.38
57	VF82050A	BUSHING	1		\$1.88
58	VF14248	SCREW, M8 X 100	1		\$3.13
59	VF13516	WASHER, PLAIN, M10 X M30 X 1.5	1		\$1.13

PARTS LIST

FANG 20 & FANG 20T - SQUEEGEE ASSEMBLY



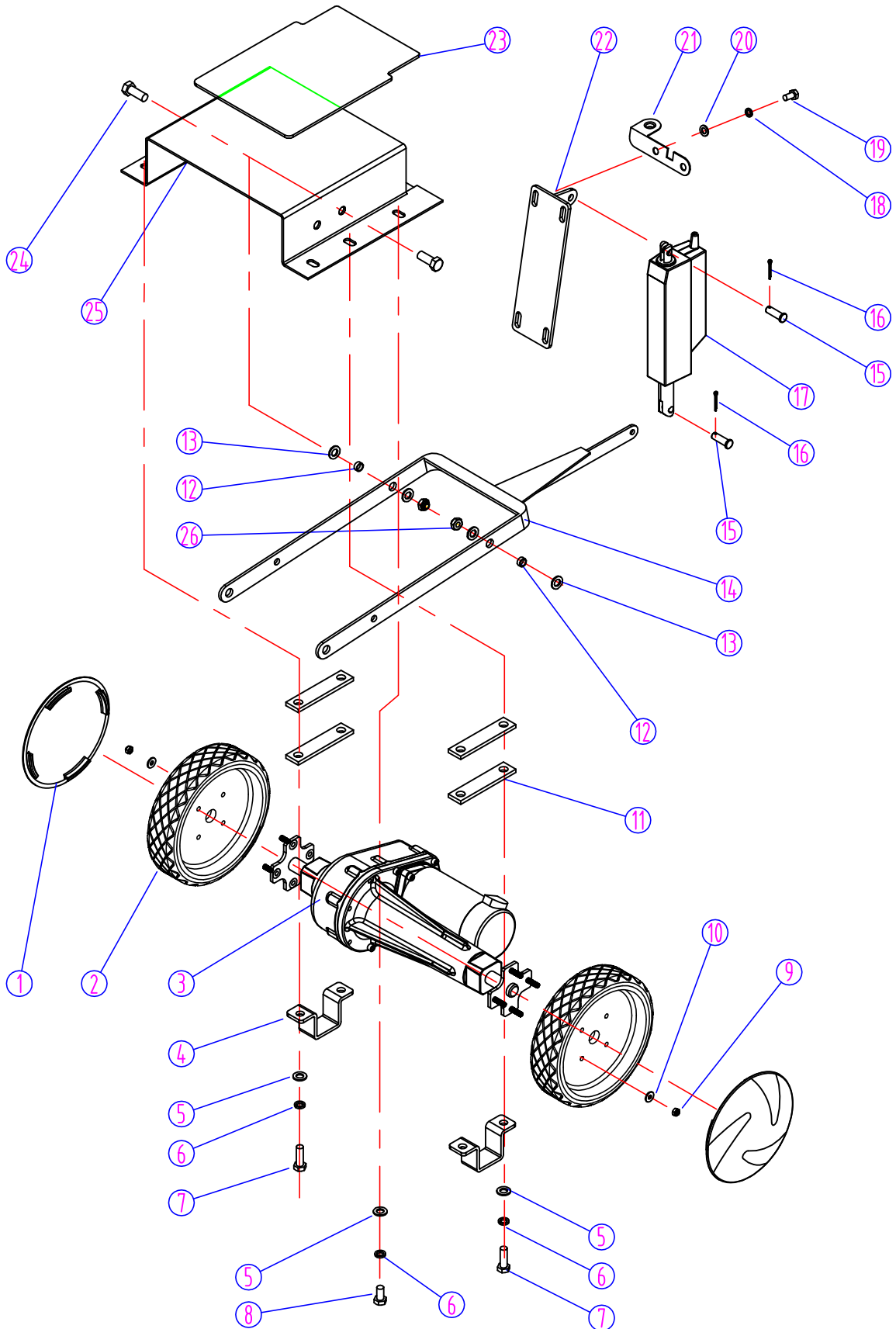
SQUEEGEE ASSEMBLY - FANG 20 & FANG 20T - LIST PRICE

DIA NO	PART NUMBER	DESCRIPTION	NO REQ'D	LIST \$ (ea)
1	VF14247	SCREW, M12 X 25	2	\$2.63
2	VF13538	WASHER, PLAIN, M12 X M26 X 2	2	\$1.88
3	VF82016A	BUSHING	2	\$1.50
4	VF82130	MOUNT, PIVOT (FANG20)	1	\$31.75
	VF82330	MOUNT, PIVOT (FANG20T)	1	\$31.75
5	VF13541	WASHER, LOCK, M12	2	\$1.13
6	VF82049	CABLE, SQUEEGEE LIFT	1	\$13.38
7	VF82112	BUSHING	1	\$1.13
8	VF81203A	HOSE	1	\$12.75
9	VF83150	HOLDER, "U" HOSE	1	\$7.75
10	VF81207	SPRING	1	\$11.63
11	VF82047	SHAFT	1	\$2.63
12	VF13513	NUT, M8	1	\$1.13
13	VF14236	SCREW, M8 X 40	4	\$1.88
14	VF13514A	WASHER, PLAIN, M8 X M16.5 X 1	2	\$1.13
15	VF82055	BUSHING	2	\$3.38
16	VF82013	WHEEL, 3"	2	\$12.38
17	VF82116	HOUSING, SQUEEGEE	1	\$133.50
18	VF82063	BLADE, SQUEEGEE, REAR (PU / BLUE)	1	\$40.00
	VF82119	BLADE, SQUEEGEE, REAR (NEOPRENE / RED)	1	\$25.00
19	VF81218	LATCH, HOOD	1	\$9.75
20	VF81209	HOOK, REAR SQUEEGEE, BACKUP ADJUSTMENT	1	\$3.75
21	VF14310	SCREW, M5 X 70	1	\$1.25
22	VF81208	RIVET, M4 X 5	2	\$1.13
23	GT13022	NUT, LOCK, M5	1	\$1.13
24	VF81222	BOLT, SHOULDER, M9.5 X 31.5 X 5/16"	3	\$10.50
25	VF81219	WHEEL, 2"	3	\$7.75
26	VF13535	WASHER, PLAIN, M8 X M20 X 2	3	\$1.50
27	VV20203	NUT, LOCK, 5/16"	3	\$1.25
28	VF82120	BACKUP STRIP, SQUEEGEE, REAR	1	\$21.25
28	VF82120A	BACKUP STRIP, ASSEMBLY	1	\$51.00
30	VF82062	BLADE, SQUEEGEE, FRONT (PU / BLUE)	1	\$29.63
	VF82117	BLADE, SQUEEGEE, FRONT (NEOPRENE / RED)	1	\$21.88
31	VF82118	BACKUP STRIP, SQUEEGEE, FRONT	1	\$21.25
32	VF82121	KNOB, M6	6	\$4.50
33	VF82084	BOLT, SHOULDER, M12 X 20	2	\$5.88
34	VF13502	NUT, LOCK, M6	1	\$1.13
35	VF82131	BRACKET, SQUEEGEE MOUNT	1	\$53.63
36	VF13521	NUT, M6	1	\$1.13
37	VF13539	WASHER, PLAIN, M12 X M32 X 2	2	\$1.38
38	VF81210	KNOB, M8	2	\$9.75
39	VF14081	NUT, M12	2	\$10.00

40	VF82908A	SQUEEGEE ASSY	1	\$244.75
----	----------	---------------	---	----------

PARTS LIST

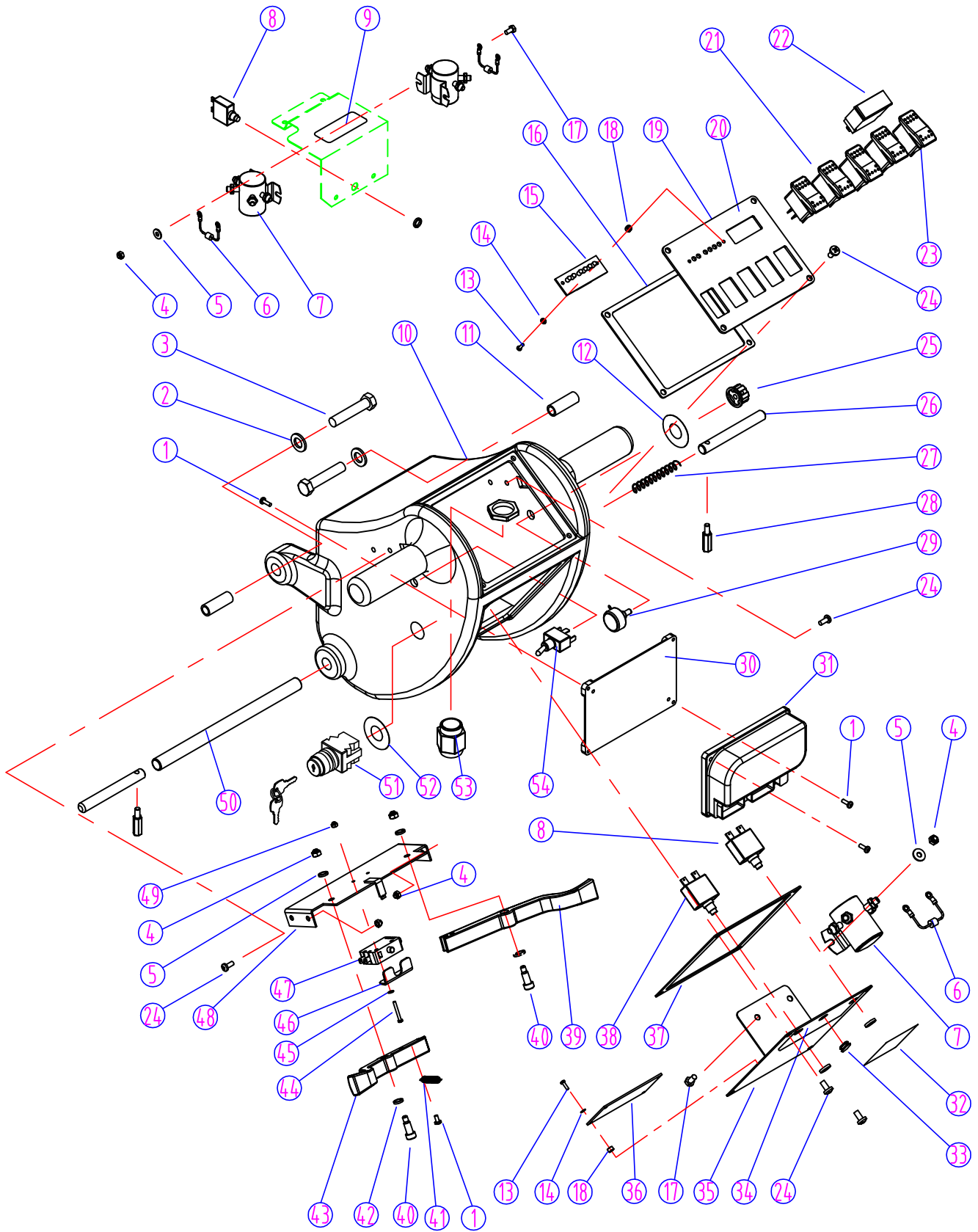
FANG20HD - BRUSH LIFT / DRIVE ASSEMBLY



FANG20HD - BRUSH LIFT/DRIVE ASSEMBLY

DIA NO	PART NUMBER	DESCRIPTION	NO REQ'D	LIST \$ (ea)
1	VF82080	HUB CAP	2	\$13.38
2	VF81106	WHEEL, 8"	2	\$72.25
3	VF81600	TRANSAXLE	1	\$814.00
	ZD72000A	TRANSAXLE MOTOR, 24VDC	1	\$179.38
4	VF81102	BRACKET, TRANSAXLE MOUNT	2	\$6.25
5	VF13537	WASHER, PLAIN, M10 X M26 X 2	6	\$1.25
6	VF13518	WASHER, LOCK, M10	6	\$1.13
7	VF13636	SCREW, M10 X 45	4	\$1.88
8	VF13634	SCREW, M10 X 30	2	\$1.88
9	VF13502	NUT, LOCK, M6	8	\$1.13
10	VF13533	WASHER, PLAIN, M6 X M16 X 2	8	\$1.13
11	VF81103	SPACER	4	\$1.63
12	VF82016A	BUSHING	2	\$1.50
13	VF13538	WASHER, PLAIN, M12 X M22 X 2	4	\$1.88
14	VF82803	BRACKET, LIFT MOTOR	1	\$22.13
15	VF83139	PIN, M10 X 30	2	\$2.25
16	VF14084	PIN, COTTER, M3.2 X 24	2	\$1.13
17	VF81301	ACTUATOR	1	\$265.38
18	VF13519	WASHER, LOCK, M8	4	\$1.13
19	VV13604	SCREW, M8 X 20	4	\$1.50
20	VF13535	WASHER, PLAIN, M8 X M20 X 2	4	\$1.50
21	VF83126	BRACKET, CABLE GUIDE	1	\$10.50
22	VF83135	BRACKET, ACTUATOR	1	\$18.00
23	VF83115	SPACER, BATTERY	1	\$15.00
24	VF14247	SCREW, M12 X 25	2	\$2.63
25	VF81101A	PLATE, BASE TRANSAXLE	1	\$60.88
26	VF13501	NUT, LOCK, M12	2	\$1.25

FANG20HD - CONTROL HOUSING

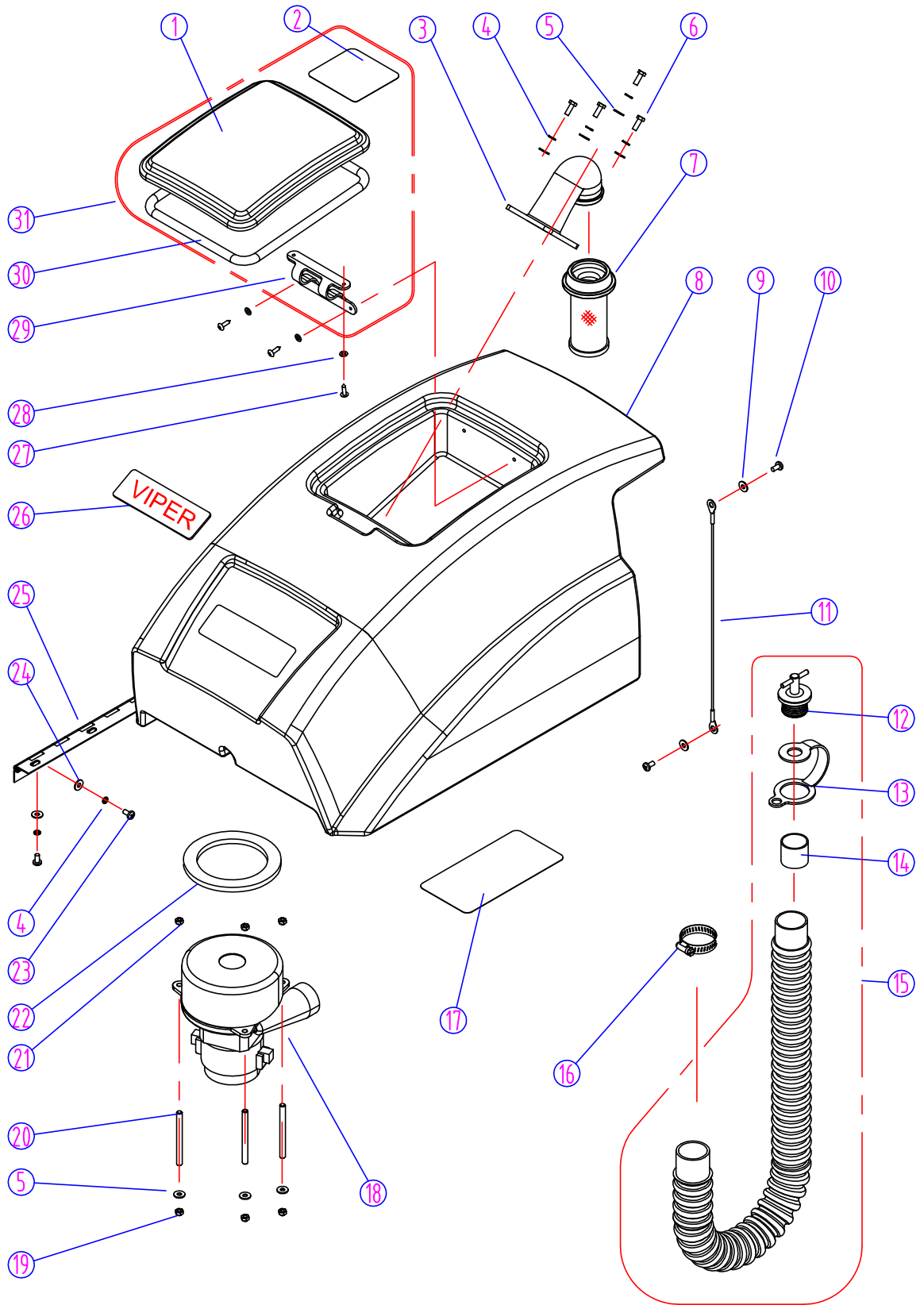


FANG20HD - CONTROL HOUSING

DIA NO	PART NUMBER	DESCRIPTION	NO REQ'D	LIST \$ (ea)
1	VF13491	SCREW, M4 X 12	7	\$1.13
2	VF14122	WASHER, PLAIN, M10 X M20 X 2	2	\$2.00
3	VF14121	SCREW, M10 X 65	2	\$2.38
4	VF13502	NUT, LOCK, M6	10	\$1.13
5	GT13032	WASHER, PLAIN, M6	6	\$1.13
6	VF81781	DIODE, 400V	3	\$4.25
7	VF81726	SOLENOID, 24V	3	\$30.63
8	VF81734	CIRCUIT BREAKER, 35AMP	2	\$13.38
9	VF83149	LABEL, CIRCUIT BREAKER	1	\$1.50
10	VF82301	CONTROL HOUSING	1	\$104.50
11	VF81713	BUSHING	2	\$1.88
12	VF82305	LABEL, SPEED CONTROL	1	\$1.50
13	VF14078	SCREW, M3 X 10	6	\$1.25
14	VA50477	WASHER, PLAIN, M3 X M10 X 1	6	\$1.25
15	VF81718	LIGHTS, BATTERY CAPACITY	1	\$19.75
16	VF82313	GASKET	1	\$3.75
17	VF13495	SCREW, M6 X 16	4	\$1.13
18	VF81719	SPACER	6	\$1.13
19	VF83137A	PANEL, SWITCH	1	\$10.50
20	VF82811	LABEL, SWITCH	1	\$7.13
21	VF81721	SWITCH, LIGHTED ROCKER	4	\$29.13
22	VF81727	GAUGE, BRUSH PRESSURE	1	\$61.75
23	VF81725	SWITCH, BRUSH LIFT	1	\$31.75
24	VF14200	SCREW, M6 X 16	12	\$1.13
25	VF81730	KNOB, SPEED CONTROL	1	\$4.25
26	VF81709	PIN, HANDLE LOCK	2	\$3.38
27	VF81716	SPRING	1	\$3.38
28	VF81710	PIN, HANDLE ADJUSTMENT	2	\$3.13
29	VF81729	POTENTIOMETER, 4.7K	1	\$8.00
30	VF82316	PLATE	1	\$21.50
31	VF81739-20T	SPEED CONTROL BOARD	1	\$247.00
32	VF82812	SERIAL TAG	1	\$1.13
33	GV40239	COVER	1	\$2.38
34	VF83148	LABEL, CIRCUIT BREAKER	1	\$1.50
35	VF82303	PANEL, CONTROL HOUSING	1	\$23.00
36	VF81703	BATTERY CAPACITY CONTROL, BOARD	1	\$35.38
37	VF82312	GASKET	1	\$2.25
38	VF99012	CIRCUIT BREAKER, 12 AMP	1	\$12.38
39	VF82107B	TRIGGER, RIGHT, RED	1	\$12.75
	VF82107BD	TRIGGER, RIGHT, BLACK	1	\$12.75
40	VF81711	BOLT, SHOULDER, M8 X 15 X M6	2	\$7.00
41	VF81712	SPRING	1	\$1.13
42	VF13514A	WASHER, PLAIN, M8 X M16.5 X 1	2	\$1.13
43	VF82106B	TRIGGER, LEFT, RED	1	\$12.75
	VF82106BD	TRIGGER, LEFT, BLACK	1	\$12.75
44	VF14212	SCREW, M3 x 25	2	\$1.13
45	VF13511	WASHER, TOOTH, M3	2	\$1.13
46	VF82327	GUIDE, SWITCH	1	\$2.25
47	VF44203	SWITCH ASSEMBLY	1	\$23.50
48	VF81707	BRACKET, SWITCH	1	\$7.00
49	VV13652	NUT, LOCK, M3	2	\$1.13
50	VF81714	TUBE, HANDLE, ADJUSTMENT	1	\$9.50
51	VF82153	SWITCH, KEY	1	\$25.13
52	VF82160	LABEL, KEY SWITCH	1	\$2.75
53	VF81744	STRAIN RELIEF, CORD	1	\$4.38
54	VF81722	SWITCH, TOGGLE	1	\$12.25

PARTS LIST

FANG20HD - RECOVERY TANK ASSEMBLY

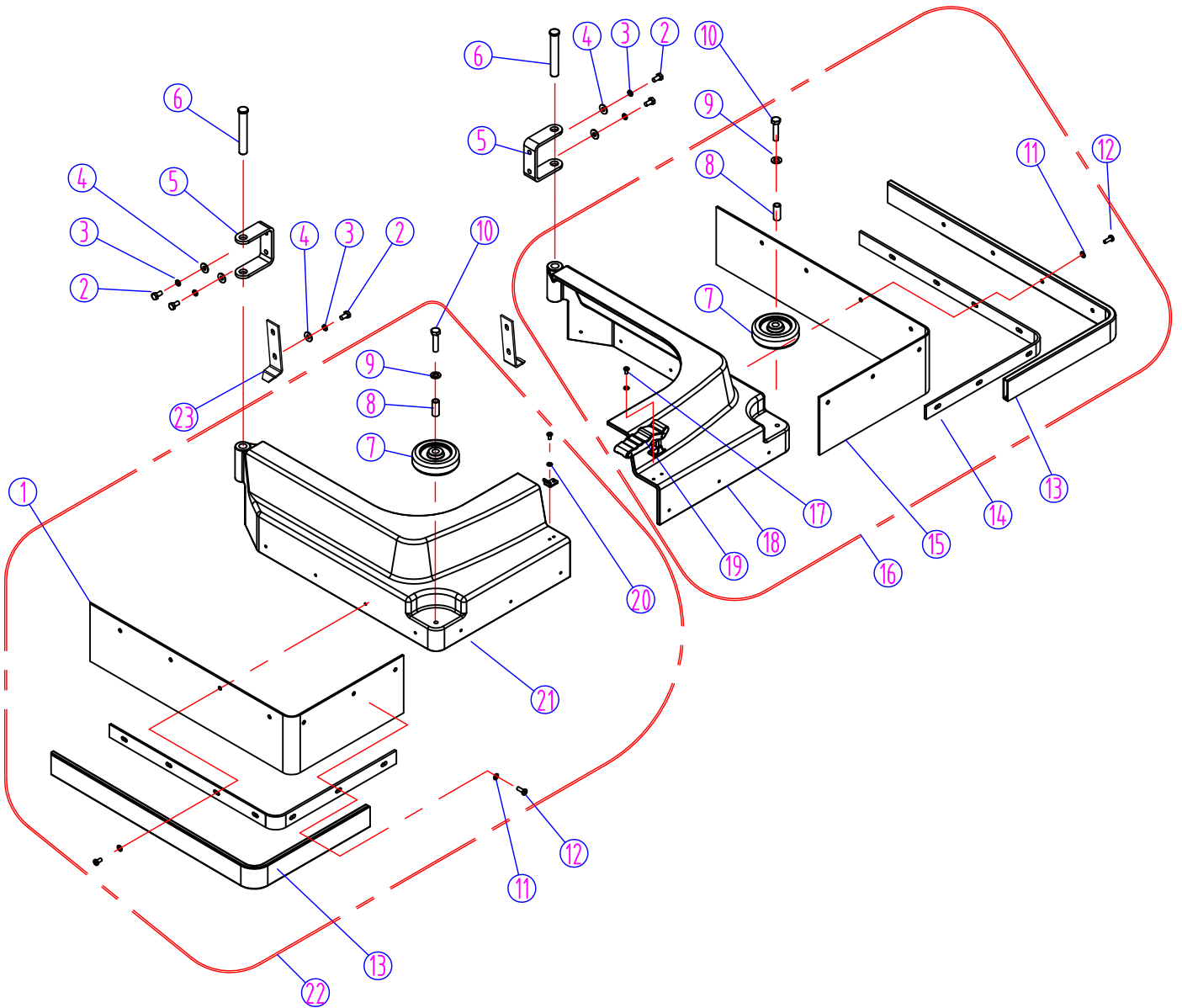


FANG20HD - RECOVERY TANK ASSEMBLY

DIA NO	PART NUMBER	DESCRIPTION	NO REQ'D	LIST \$ (ea)
1	VF82010	CLEAR COVER, RECOVERY TANK	1	\$16.13
2	VF82083	DECAL, WARNING, BATTERY	1	\$6.25
3	VF82009	ELBOW ADAPTOR, FLOAT	1	\$12.38
4	VV13607	WASHER, LOCK, M6	13	\$1.13
5	VF13533	WASHER, PLAIN, M6 X M16 X 2	7	\$1.13
6	VF14233	SCREW, M6 X 20	4	\$1.13
7	VF81504	FLOAT	1	\$17.50
8	VF82802	RECOVERY TANK	1	\$612.50
9	VF13528	WASHER, TOOTH, LOCK, M6	2	\$1.13
10	VF13495	SCREW, M6 X 16	2	\$1.13
11	VF82028	CABLE	1	\$9.75
12	VF81509	PLUG, EXPANSION	1	\$23.00
13	VF81510-9	STRAP, DRAIN HOSE	1	\$3.50
14	VF81510-2	SLEEVE, DRAIN HOSE	1	\$7.00
15	VF81510A	DRAIN HOSE ASSEMBLY	1	\$83.25
16	VV10113	CLAMP, 2"	2	\$2.63
17	VF83154	DECAL, BATTERY INSTALLATION	1	\$6.00
18	ZD54000	MOTOR, VAC 3 STAGE, 24VDC	1	\$286.00
19	VF13502	NUT, LOCK, M6	3	\$1.13
20	VF81508	STUD	3	\$1.63
21	VF13521	NUT, M6	3	\$1.13
22	VF81503	SEAT	1	\$5.25
23	VF14200	SCREW, M6 X 16	9	\$1.13
24	GT13032	WASHER, PLAIN, M6 X M16 X 1.5	9	\$1.13
25	VF82011	HINGE, RECOVERY TANK	1	\$27.38
26	VF82082	LOGO	1	\$13.50
27	VA13477	SCREW, SELF-TAPPING, ST, M4 X 16	4	\$1.13
28	VV13664	WASHER, PLAIN, M4 X M12 X 1	4	\$1.13
29	VF82010A	RUBBER HINGE	1	\$10.50
30	VF82010B	GASKET	1	\$7.75
31	VF82010X	KIT, LID	1	\$31.75

PARTS LIST

FANG20HD - BRUSH SKIRT ASSEMBLY



FANG20HD - BRUSH SKIRT ASSEMBLY

DIA NO	PART NUMBER	DESCRIPTION	NO REQ'D	LIST \$ (ea)
1	VF82808	BUMPER	1	\$18.00
2	VF13495	SCREW, M6 X 16	8	\$1.13
3	VV13607	WASHER, LOCK, M6	8	\$1.13
4	VF13533	WASHER, PLAIN, M6	8	\$1.13
5	VF83107	BRACKET, SKIRT MOUNT	2	\$7.75
6	VF83108	PIN, SKIRT	2	\$8.13
7	VF82013	WHEEL, 3"	2	\$12.38
8	VF82055	BUSHING	2	\$3.38
9	VF13514A	WASHER, PLAIN, M8 X M16.5 X 1	2	\$1.13
10	VF14236	SCREW, M8 X 40	2	\$1.88
11	VA13400	WASHER, PLAIN, M5 X M25 X 1.5	16	\$1.13
12	VA13474	SCREW, M5 X 16	16	\$1.13
13	VF82810	GRIP, BUMPER	2	\$10.00
14	VF82809	CLAMP, BUMPER	2	\$10.63
15	VF82815	BUMPER	1	\$21.50
16	VF82807R	RIGHT SKIRT, ASSEMBLY	1	\$95.25
17	VV20291	WASHER, LOCK, M4	4	\$1.13
18	VF82807	SKIRT, RIGHT	1	\$49.50
19	VF83109	LATCH, HOOD	1	\$10.50
20	VV20291	WASHER, LOCK, M4	4	\$1.13
21	VF82806	SKIRT, LEFT	1	\$49.50
22	VF82806L	LEFT SKIRT, ASSEMBLY	1	\$83.63
23	VF83142	BLOCK, SKIRT	2	\$3.13

WIRING DIAGRAM FOR FANG 20T

