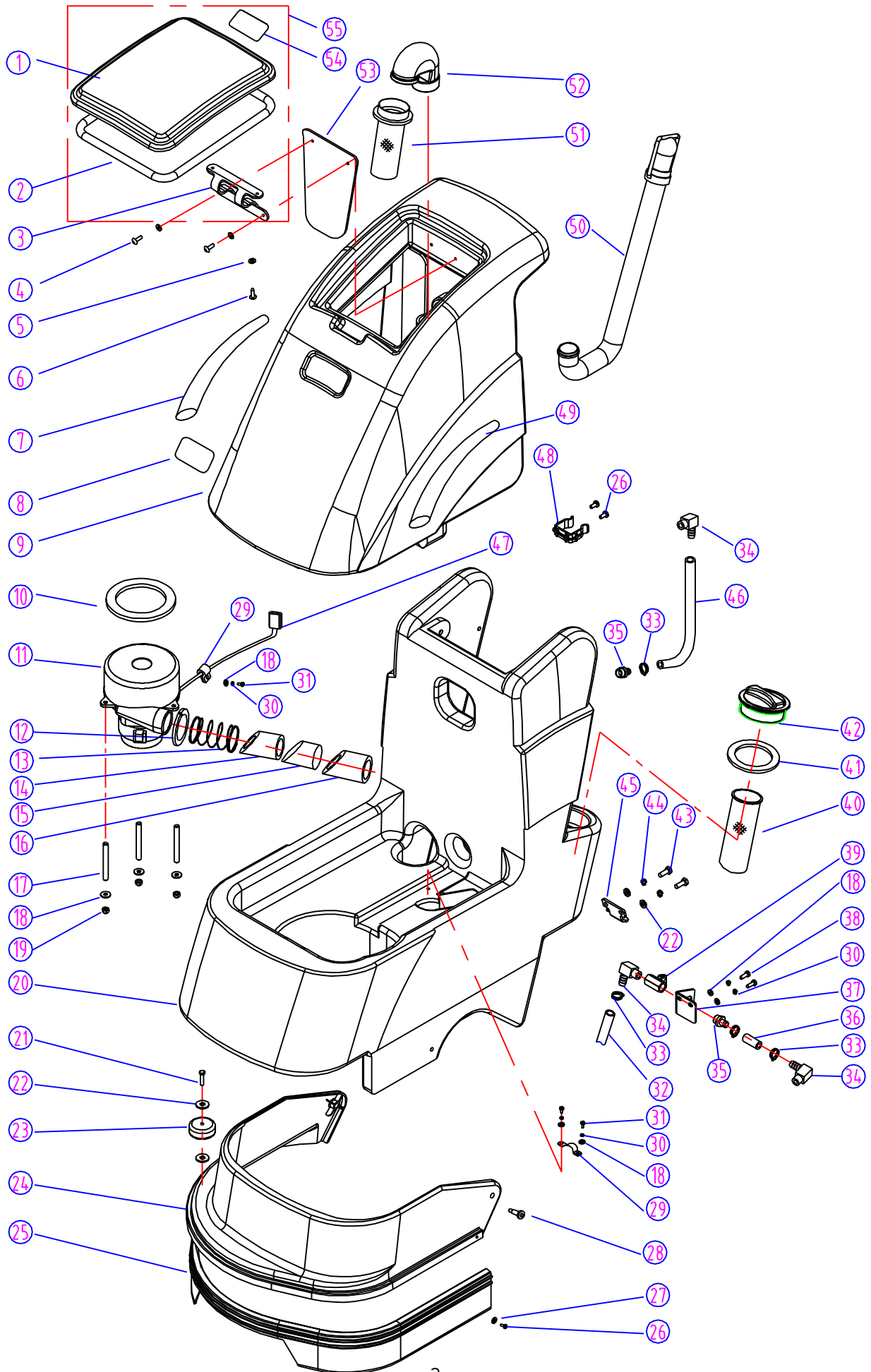


CONTROL HOUSING - FANG 18C

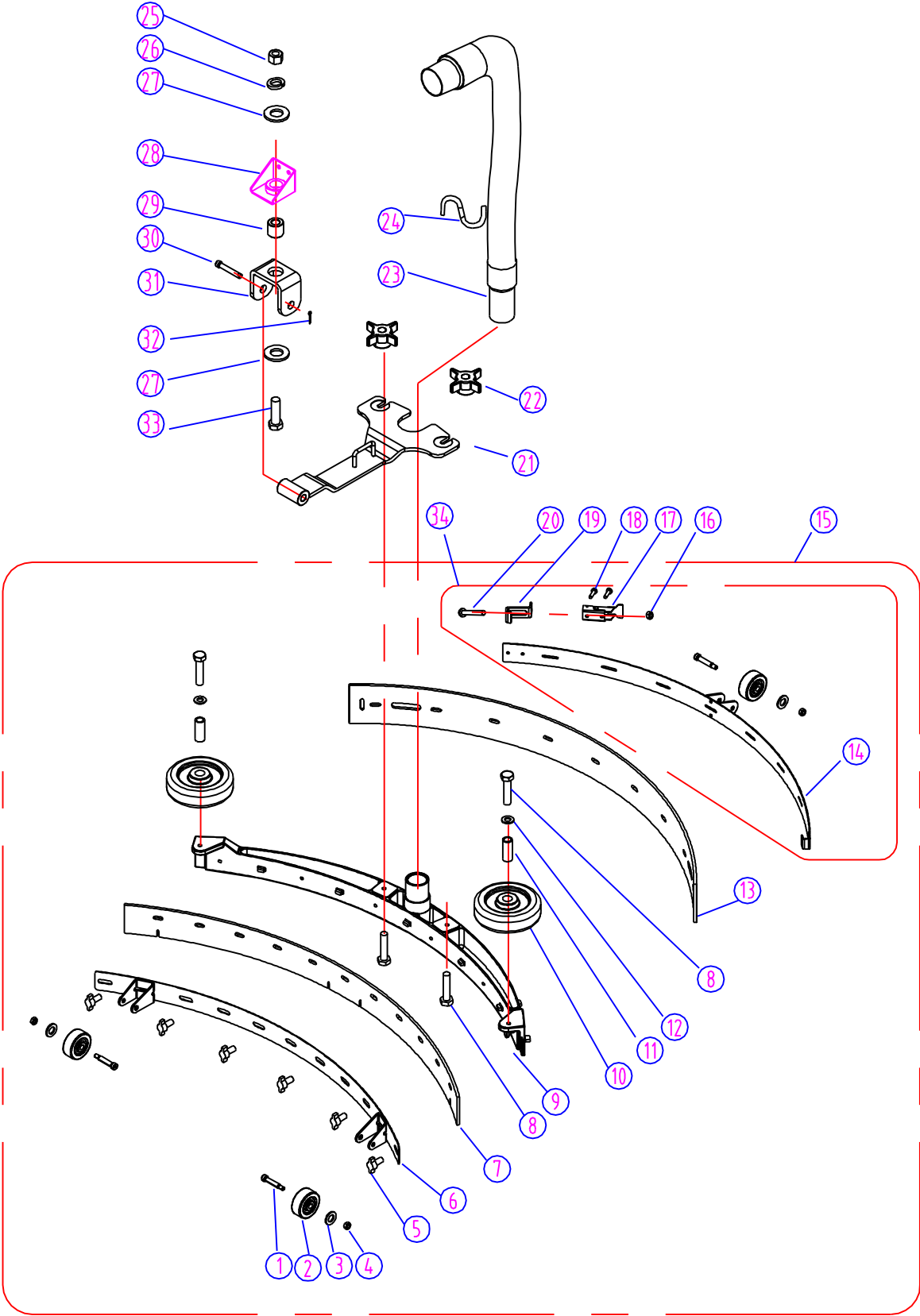
DIA NO.	PART NUMBER	DESCRIPTION	NO. REQ'D	LIST \$ (ea)
1	VF81408	ADJUSTING PLATE	2	\$17.38
2	VF13535	WASHER, PLAIN, M8	3	\$1.50
3	VF13519	WASHER, LOCK, M8	4	\$1.13
4	VV13604	BOLT, M8 X 20	4	\$1.50
5	VF81710	ADJUSTING SCREW	2	\$3.13
6	VF80322	PIN, HANDLE LOCK	2	\$5.25
7	VF80323	TUBE, HANDLE ADJUSTMENT	1	\$8.63
8	VF81716	SPRING	1	\$3.38
9	VF80317	LEVER, SWITCH, LEFT	1	\$10.88
10	VV13650	SCREW, PH, M4 X 10	9	\$1.13
11	VF81712	SPRING	1	\$1.13
12	VV13652	NUT, NYLON INSERT, M3	2	\$1.13
13	VF13502	NUT, NYLON INSERT, M6	6	\$1.13
14	VF13511	WASHER, PLAIN, M3	2	\$1.13
15	VF14212	SCREW, PH, M3 X 25	2	\$1.13
16	VF80335	GASKET, REAR COVER	1	\$5.25
17	VF80310	REAR COVER	1	\$11.25
18	VF14200	SCREW, PH, M6 X 16	4	\$1.13
19	VF80329	DECAL, SERIAL	1	\$3.00
20	VF44203	SWITCH ASSEMBLY	1	\$23.50
21	VF81711	SHOULDER SCREW, M8 X 20 X M6	2	\$7.00
22	VF80307	MOUNTING FRAME, SWITCH	1	\$9.50
23	VA91346	SWITCH	1	\$9.75
24	VF80324A	DECAL, SWITCH	1	\$8.63
25	VF80305	SWITCH PANEL	1	\$11.25
26	VF80333	GASKET, PANEL	1	\$3.38
27	VF80303	CONTROL HOUSING	1	\$85.38
28	VF80318	LEVER, SWITCH, RIGHT	1	\$10.88
29	VF81713	BUSHING	1	\$1.88
30	VF13537	WASHER, PLAIN, M10	1	\$1.25
31	VF14237	BOLT, M10 X 70	1	\$1.50
32	VF45120	CORD	1	\$6.25
33	VV30182	BUSHING, CORD	1	\$1.13
34	AS41902	PLUG PROTECTOR, FEMALE	1	\$6.25
35	VV13617	NUT, M3	1	\$1.13
36	VF51141	RECEPTICAL	1	\$6.25
37	GT13065	SCREW, ST, M3 X 12	1	\$1.50
38	VF46716	BUSHING	1	\$1.13
39	VF46718	SPRING	1	\$2.13
40	VF46715	BARB	1	\$2.63
41	VF46717	WASHER	1	\$1.13
42	VV30142	RUN CAPACITOR, 40uF/375V	1	\$26.13
43	GT13027	SCREW, PH, M5 X 45	1	\$1.13
44	VF80365	CLAMP	1	\$4.25
45	VF999805	START CAPACITOR, 380-400uF / 150V	1	\$28.75
46	VF80369	CORD, JUMP	1	\$8.13
47	VF99010C	CIRCUIT BREAKER, BRUSH	1	\$10.88
48	VF99008B	STRAIN RELIEF	1	\$5.00
49	VV67507	CABLE, PIG TAIL	1	\$13.25
50	VV67105	CONNECTOR, CORD	1	\$6.00
51	VF80362C	POWER CORD	1	\$90.75

PARTS LIST



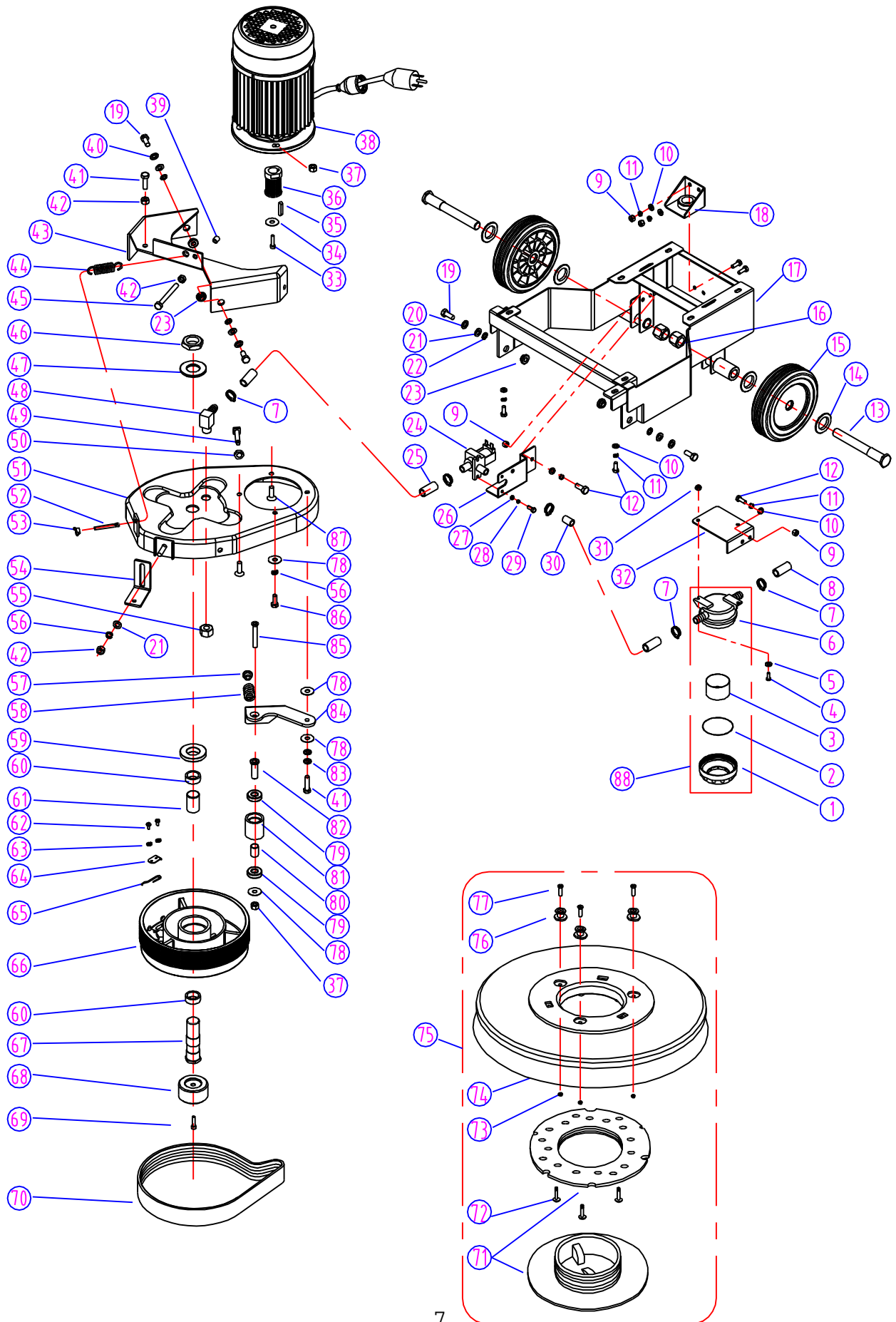
RECOVERY & SOLUTION TANKS - FANG 18C - LIST PRICE

DIA NO.	PART NUMBER	DESCRIPTION	NO. REQ'D	LIST \$ (ea)
1	VF82010	CLEAR COVER, RECOVERY TANK	1	\$16.13
2	VF82010B	GASKET, CLEAR DOME	1	\$7.75
3	VF82010A	RUBBER HINGE	1	\$10.50
4	VF13491	SCREW, PH, M4 X 12	2	\$1.13
5	VA13483	WASHER, PLAIN, M4	4	\$1.13
6	VA13477	SCREW, SST, M4.2 X 16	2	\$1.13
7	VF80343A	MODEL DECAL, RIGHT	1	\$13.38
8	VF80326A	VIPER LOGO	1	\$11.25
9	VF80302	RECOVERY TANK	1	\$265.38
10	VF81503	GASKET, MOTOR	1	\$5.25
11	ZD55000A	VACUUM MOTOR, 110V	1	\$217.25
12	VV10116	TIE	3	\$1.25
13	VF80346	SPRING	1	\$5.38
14	VF80356	FILTER, EXHAUST	1	\$3.75
15	VF80358	PLASTIC COVER	1	\$3.00
16	VF80357	COVER, HEAT RESISTANT	1	\$5.25
17	VF82310	BOLT	3	\$5.25
18	VF13533	WASHER, PLAIN, M6	7	\$1.13
19	VF13502	NUT, NYLON INSERT, M6	3	\$1.13
20	VF80301	SOLUTION TANK	1	\$370.75
21	VF14236	BOLT, M8 X 40	1	\$1.88
22	VF13514A	WASHER, PLAIN, M8	4	\$1.13
23	VF82013	WHEEL, 3"	1	\$12.38
24	VF80308	SKIRT	1	\$18.13
25	VF80319A	BUMPER	1	\$19.00
26	VV20501	SCREW, PH, M5 X 14	4	\$1.13
27	VV13654	WASHER, PLAIN, M5 X M9.5 X 0.8	2	\$1.13
28	VF80355	SHOULDER SCREW, M10 X 16 X M8	2	\$5.00
29	VV50712	CLAMP	1	\$2.13
30	VV13607	WASHER, LOCK, M6	4	\$1.13
31	VF14200	SCREW, PH, M6 X 16	4	\$1.13
32	VF80349	HOSE, OUTLET, BALL VALVE	1	\$7.13
33	VF82090	CLAMP, HOSE	4	\$2.63
34	VF81403A	HOSE BARB, BRASS	2	\$13.63
35	VF80313	HOSE BARB	3	\$9.00
36	VF80348	HOSE	1	\$1.63
37	VF80321	MOUNTING PLATE, BALL VALVE	1	\$9.00
38	VF13495	BOLT, M6 X 16	2	\$1.13
39	VF80361	BALL VALVE	1	\$13.38
40	VF46454	FILTER	1	\$18.63
41	VF80306	SEAL	1	\$4.50
42	VF80304	FILL	1	\$10.88
43	VV13604	BOLT, M8 X 20	2	\$1.50
44	VF13519	WASHER, LOCK, M8	2	\$1.13
45	VF80359	CLAMP, SQUEEGEE	1	\$8.13
46	VF80347	SOLUTION HOSE	1	\$4.75
47	VF45117C	CORD	1	\$10.88
48	GV70034	CLAMP DRAIN HOSE	1	\$2.63
49	VF80342A	MODEL LABEL, LEFT	1	\$13.38
50	VA93208A	DRAIN HOSE	1	\$17.13
51	VF81504	FLOAT, SHUTOFF	1	\$17.50
52	VV67305	BEND	1	\$14.00
53	VF80345	SCREEN	1	\$7.25
54	VF80331	WARNING LABEL	1	\$5.25
55	VF82010X	KIT, CLEAR DOME	1	\$31.75



SQUEEGEE ASSEMBLY - FANG 18C - LIST PRICE

DIA NO.	PART NUMBER	DESCRIPTION	NO. REQ'D	LIST \$ (ea)
1	VF81222	SHOULDER SCREW, HEX SOCKET, 5/16 X 1.25"	3	\$10.50
2	VF81219	WHEEL, 2"	3	\$7.75
3	VF13535	WASHER, PLAIN, M8 X M20 X 2	3	\$1.50
4	VV20203	NUT, NYLON INSERT, 5/16"	3	\$1.25
5	VF82121	KNOB, M6	6	\$4.50
6	VF82118	BACK UP STRIP, SQUEEGEE, FRONT	1	\$21.25
7	VF82062	BLADE, SQUEEGEE, FRONT (PU / BLUE)	1	\$29.63
	VF82117	BLADE, SQUEEGEE, FRONT (NEOPRENE / RED)	1	\$21.88
8	VF14236	BOLT, M8 X 40	4	\$1.88
9	VF82116	HOUSING, SQUEEGEE	1	\$133.50
10	VF82013	WHEEL, 3"	2	\$12.38
11	VF82055	BUSHING	2	\$3.38
12	VF13514A	WASHER, PLAIN, M8 X M16.5 X 1	2	\$1.13
13	VF82063	BLADE, SQUEEGEE, REAR (PU / BLUE)	1	\$40.00
	VF82119	BLADE, SQUEEGEE, REAR (NEOPRENE / RED)	1	\$25.00
14	VF82120	BACK UP STRIP, SQUEEGEE, REAR	1	\$21.25
15	VF82908A	SQUEEGEE ASSY	1	\$244.75
16	GT13022	NUT, NYLON INSERT, M5	1	\$1.13
17	VF81218	LATCH, HOOD	1	\$9.75
18	VF81208	RIVET, M4 X 5	2	\$1.13
19	VF81209	HOOK, REAR SQUEEGEE, BACKUP ADJUSTMENT	1	\$3.75
20	VF14305	SCREW, M5 X 60	1	\$1.38
21	VF80422	BRACKET, SQUEEGEE, MOUNT	1	\$40.38
22	VF81210	KNOB, M8	2	\$9.75
23	VF80425	HOSE	1	\$15.50
24	VF83150	HOLDER, "U" HOSE	1	\$7.75
25	VF14057A	NUT, M12	1	\$1.13
26	VF13541	WASHER, LOCK, M12	1	\$1.13
27	VV20434	WASHER, PLAIN, M13 X M30 X 3	2	\$1.13
28	VF80109	CONNECTOR	1	\$10.50
29	VF80427	BUSHING	1	\$12.25
30	VF14094	PIN, M12 X 70	4	\$3.00
31	VF80426	"U" SHAPE FRAME	1	\$12.00
32	VF14095	PIN, M4	1	\$1.13
33	GT13085	BOLT, M12 X 40	1	\$2.50
34	VF82120A	BACKUP STRIP, ASSEMBLY	1	\$51.00



WHEELS & BRUSH DRIVE - FANG 18C

DIA NO.	PART NUMBER	DESCRIPTION	NO. REQ'D	LIST \$ (ea)
1	VF80111	CLEAR COVER, FILTER (2/75" / VIP)	1	\$12.38
	HP1011	CLEAR COVER, FILTER (1.5" / HY PRO)	1	\$17.00
2	VF82139	"O" RING (2.75" / VIP)	1	\$3.13
	HP1013	"O" RING (1.5" / HY PRO)	1	\$4.75
3	VF80113	MESH FILTER (2.75" / VIP)	1	\$5.38
	HP1012	MESH FILTER (1.5" / HY PRO)	1	\$8.63
4	VV20501	SCREW, PH, SST, M5 X 14	2	\$1.13
5	VV13654	WASHER, SST, M5	2	\$1.13
6	VF80112	MOUNTING BASE, FILTER (2.75" / BLK / VIP)	1	\$19.88
	HP1014	MOUNTING BASE, FILTER (1.5" / WHITE / HY PRO)	1	\$20.88
7	VF82090	CLAMP, HOSE	5	\$2.63
8	VF80349	HOSE, INLET, FILTER	1	\$7.13
9	VF13521	NUT, M6	12	\$1.13
10	VF13533	WASHER, M6	12	\$1.13
11	VV13607	WASHER, LOCK, M6	12	\$1.13
12	VF13495	SCREW, M6 X 16	12	\$1.13
13	VF80123	AXLE, WHEEL	2	\$12.38
14	VF80117	WASHER, WHEEL	4	\$1.13
15	VF80115	WHEEL, 6"	2	\$26.75
16	VF14257	NUT, NYLON INSERT, M16	2	\$1.88
17	VF80110	CHASSIS	1	\$120.00
18	VF80109	CONNECTOR	1	\$10.50
19	VV13604	SCREW, HEX, M8 X 20	4	\$1.50
20	VF14313	WASHER, INTERNAL TOOTH, M8	2	\$1.13
21	VF13514A	WASHER, PLAIN, M8	5	\$1.13
22	VF80130	WASHER, M8	4	\$1.13
23	VF80132	BUSHING	4	\$4.38
24	VF80216A	SOLUTION VALVE, 110V	1	\$30.25
25	VF80238	HOSE, OUTLET, VALVE	1	\$4.38
26	VF80119	MOUNTING FRAME, VALVE	1	\$8.63
27	VA13483	WASHER, PLAIN, M4	2	\$1.13
28	VV20291	WASHER, LOCK, M4	2	\$1.13
29	VA13473	SCREW, PH, M4 X 16	2	\$1.13
30	VF80114B	OUTLET FILTER	1	\$2.38
31	GT13022	NUT, NYLON INSERT, M5	2	\$1.13
32	VF80120	MOUNTING PLATE, FILTER	1	\$8.63
33	VV60220S1	HEX SOCKET SCREW, M6 X 15	1	\$1.50
34	VF80207	WASHER, PLAIN, BRASS	1	\$2.50
35	VF80240	KEY	1	\$2.50
36	VF80220	DRIVING PULLEY	1	\$12.38
37	VF13503	NUT, NYLON INSERT, M8	5	\$1.13
38	YCQ35000A	MOTOR, 110V	1	\$250.00
39	VF80241	GASKET	1	\$2.50
40	VF14314	WASHER, EXTERNAL TOOTH, M8	2	\$1.13
41	GT13018	BOLT, M8 X 30	2	\$1.13
42	VF13513	NUT, M8	3	\$1.13
43	VF80206	SUPPORTING SHELF	1	\$52.50
44	VF80237	SPRING	1	\$2.38

DIA NO.	PART NUMBER	DESCRIPTION	NO. REQ'D	LIST \$ (ea)
45	VF14114	BOLT, M8 X 55	1	\$2.00
46	VF80222	THIN NUT	1	\$2.38
47	VF14315	WASHER, PLAIN, M24	1	\$2.13
48	VF81403	BARB, HOSE, 90°DEG	1	\$13.63
49	VF14255	SET SCREW, M12 X 65	1	\$3.00
50	VF14057A	NUT, M12	1	\$1.13
51	VF80201	FRAME	1	\$133.50
52	VF80225	BOLT	1	\$1.25
53	VF14101	NUT, BUTTERFLY, M6	1	\$2.50
54	VF80203	SLIDING PLATE	1	\$5.38
55	VF80213	NUT, BRASS	1	\$2.63
56	VF13519	WASHER, LOCK, M8	2	\$1.13
57	VF80235	SPACER	1	\$2.13
58	VF80232	SPRING	1	\$2.13
59	VF80223	SPACER	1	\$4.38
60	VF999827	BEARING, 6205	1	\$22.25
61	VF80221	SPACER, LARGE	1	\$3.00
62	VV20509	SCREW, PH, M5 X 10	2	\$1.13
63	VV13601	WASHER, LOCK, M5	2	\$1.13
64	VF83131	CLAMP	1	\$1.13
65	VF80262	SPRING WIRE	1	\$3.00
66	VF80205	DRIVEN PULLEY	1	\$52.00
67	VF80219	SHAFT, DRIVEN PULLEY	1	\$19.63
68	VF80233	GASKET	1	\$9.50
69	GT13015	SCREW, STAINLESS STEEL, HEX, M6 X 30	1	\$1.13
70	VF80242	BELT	1	\$38.88
71	VF99003A	BIG MOUTH	1	\$9.75
72	VF14400	SCREW, SST, M4.2 X 13	3	\$1.25
73	VF13502	NUT, NYLON INSERT, M6	3	\$1.13
74	VF80212	PAD HOLDER	1	\$67.38
75	VF80212B	PAD HOLDER ASSY	1	\$94.50
	VF80211B	POLY SCRUB BRUSH, 17" (OPTIONAL)	1	\$107.50
76	VF80218	BLOCK	3	\$6.38
77	VF14225A	SCREW, FH, M6 X 40	3	\$1.13
78	VF13535	WASHER, PLAIN, M8 X M20 X 2	4	\$1.50
79	VF999821	BEARING, 6002LU	2	\$24.50
80	VF80209	SMALL SPACER	1	\$5.00
81	VF80215	TENSION WHEEL	1	\$10.88
82	VF80214	BUSHING BEARING	1	\$4.25
83	VF14312	WAVE WASHER, M8	2	\$1.13
84	VF80208	ROD, TENSION WHEEL	1	\$10.00
85	GT13066	SCREW, HEX, SOCKET, M8 X 55	1	\$1.13
86	VV13657	BOLT, M8 X 25	1	\$1.13
87	GT13067	SCREW, HEX, SOCKET, M8 X 25	2	\$1.63
88	VF80111A	KIT, FILTER ASSEMBLY (2.75" / VIP)	1	\$41.88
	HP1016	KIT, FILTER ASSEMBLY (1.5" / HY PRO)	1	\$49.38