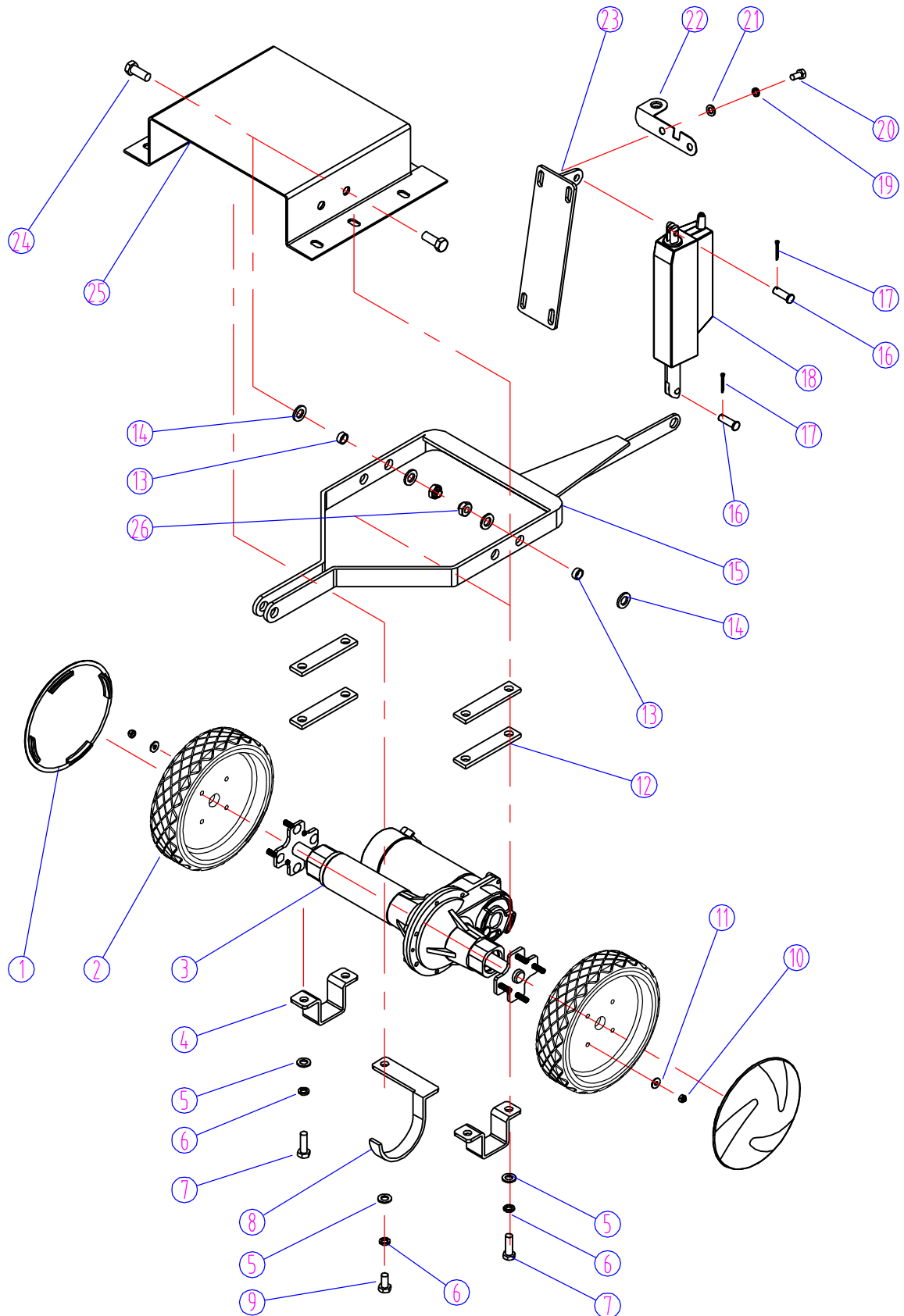


# PARTS LIST

## BRUSH LIFT / DRIVE GROUP FOR FANG 24T, FANG 26T & FANG 28T

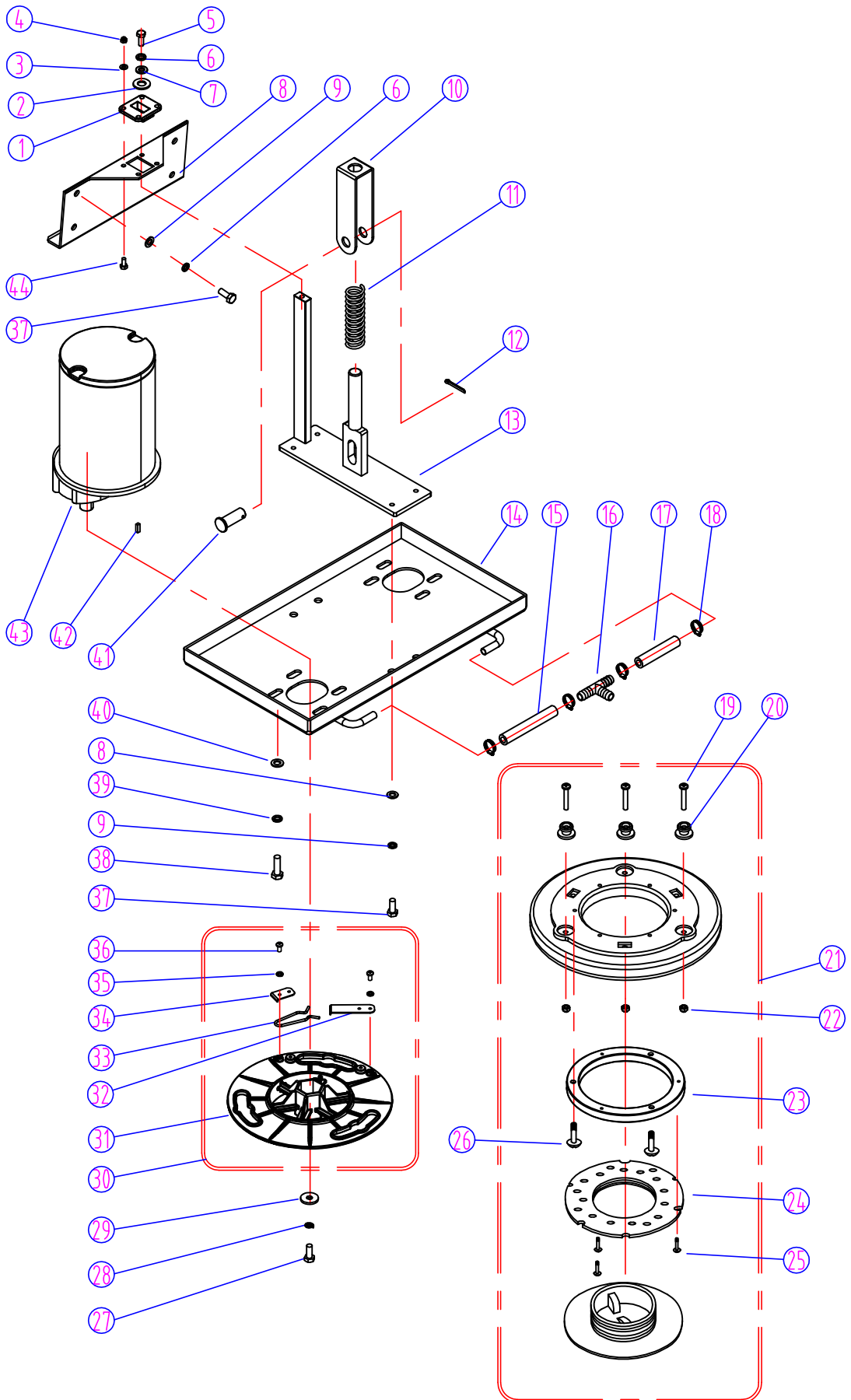


**BRUSH LIFT & DRIVE ASSY - FANG 24T-26T-28T - LIST PRICE**

DIA NO	PART NUMBER	DESCRIPTION	NO REQ'D	LIST \$ (ea)
1	VF82080	HUB CAP	2	\$13.38
2	VF81106	WHEEL, 8"	2	\$72.25
3	VF81600	TRANSAXLE (24T, 26T, 28T)	1	\$814.00
	ZD72000A	MOTOR, TRANSAXLE, 24VDC	1	\$179.38
4	VF81102	BRACKET, TRANSAXLE MOUNT	2	\$6.25
5	VF13537	WASHER, PLAIN, M10 X M26 X 2	6	\$1.25
6	VF13518	WASHER, LOCK, M10	6	\$1.13
7	VF13636	SCREW, M10 X 45	4	\$1.88
8	VF13634	SCREW, M10 X 30	2	\$1.88
9	VF13502	NUT, LOCK, M6	8	\$1.13
10	VF13533	WASHER, PLAIN, M6 X M16 X 2	8	\$1.13
11	VF81103	SPACER	4	\$1.63
12	VF82016A	BUSHING	2	\$1.50
13	VF13538	WASHER, PLAIN, M12 X M22 X 2	4	\$1.13
14	VF83136	BRACKET, LIFT, DUAL MOTOR	1	\$53.63
15	VF83139	PIN, M10 X 30	2	\$2.25
16	VF14084	PIN, COTTER, M3.2 X 24	2	\$1.13
17	VF81301	ACTUATOR	1	\$265.38
18	VF13519	WASHER, LOCK, M8	4	\$1.13
19	VV13604	SCREW, M8 X 20	4	\$1.50
20	VF13535	WASHER, PLAIN, M8 X M20 X 2	4	\$1.50
21	VF83126	BRACKET, CABLE GUIDE	1	\$10.50
22	VF83135	BRACKET, ACTUATOR	1	\$18.00
23	VF14247	SCREW, M12 X 25	2	\$2.63
24	VF81101A	PLATE, BASE TRANSAXLE	1	\$60.88
25	VF13501	NUT, LOCK, M12	2	\$1.25

# PARTS LIST

## FANG 24T, FANG 26T & FANG 28T - BRUSH / PAD DRIVE ASSEMBLY



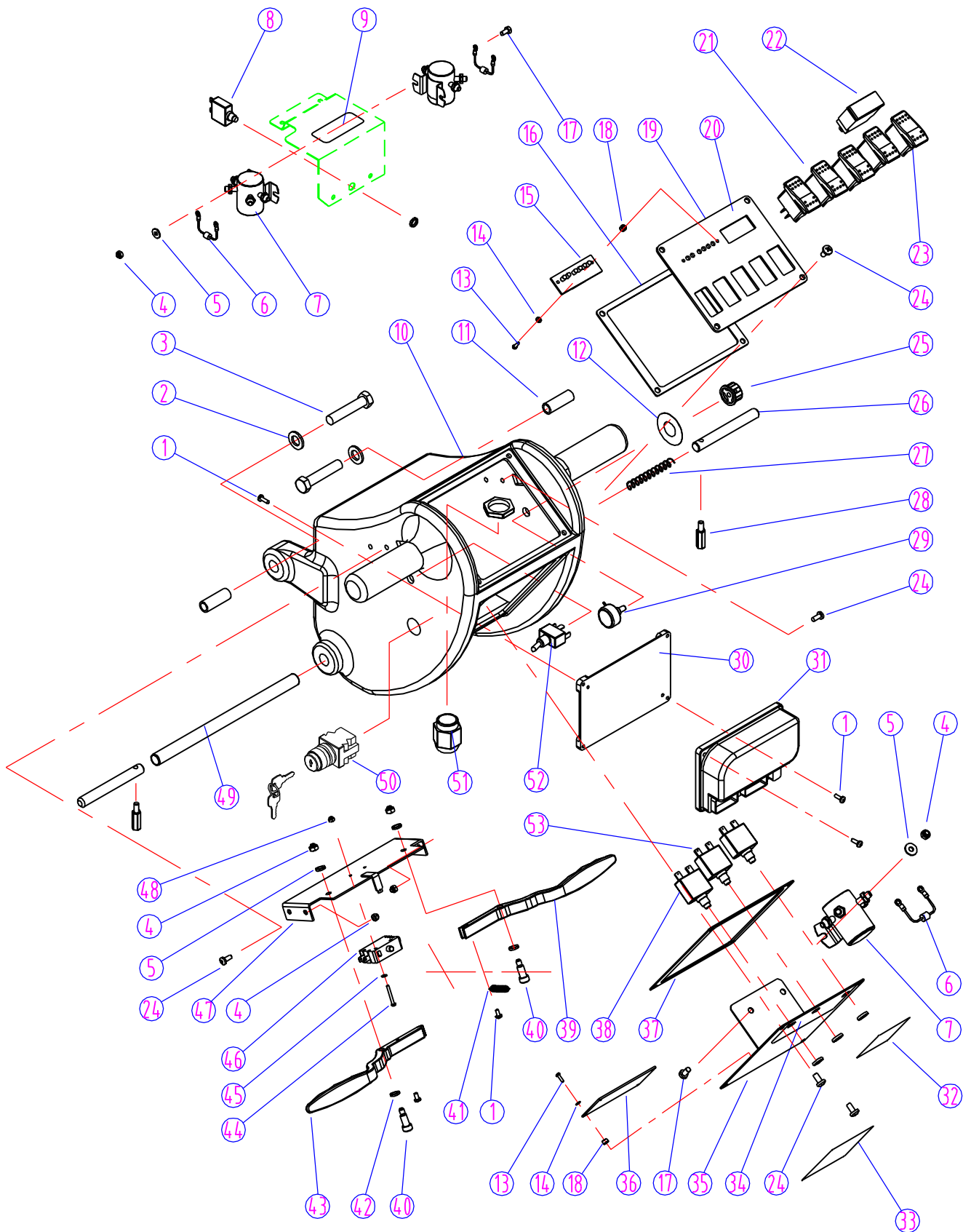
**BRUSH & PAD DRIVE ASSY - FANG 24T - 26T - 28T**

DIA NO	PART NUMBER	DESCRIPTION	NO REQ'D	LIST \$ (ea)
1	VF83112A	BLOCK, GUIDE	1	\$8.63
2	VV20274B	WASHER, PLAIN, M13 X M39 X 2	1	\$2.38
3	VA13400	WASHER, PLAIN, M5 X M11 X 1	4	\$1.13
4	GT13022	NUT, LOCK, M5	4	\$1.13
5	VF14234	SCREW, M8 X 16	1	\$1.50
6	VF13519	WASHER, LOCK, M8	8	\$1.13
7	VF13542	WASHER, PLAIN, M8 X M26 X 2	1	\$1.38
8	VF83116A	SUPPORT PLATE, SKIRT	1	\$20.75
9	VF13535	WASHER, PLAIN, M8 X M20 X 2	8	\$1.50
10	VF81114	BRACKET, SPRING	1	\$13.38
11	VF83117	SPRING	1	\$7.75
12	VA14303	PIN, M4 X 40	1	\$1.13
13	VF83113A	BRACKET, SPRING MOUNT	1	\$48.75
14	VF81112	BRACKET, MOTOR MOUNT(FANG 24T & 26T)	1	\$80.38
	VF83205	BRACKET,MOTOR MOUNT(FANG 26T & 28T)	1	\$80.38
15	VF81122	TUBING, 150mm	1	\$3.75
16	VF82040	HOSE BARB, TEE	1	\$3.00
17	VF81121	TUBING, 120mm	1	\$3.75
18	VF82148	CLAMP, 16mm	2	\$1.25
19	VF14225A	SCREW, M6 X 40	6	\$1.13
20	VF83133	STUD	6	\$4.25
21	VF81105	PAD DRIVER, 11" (FANG24T)	2	\$57.38
	VF81104	POLY SCRUB BRUSH, 11" (FANG24T - OPTIONAL)	2	\$62.50
	VF83128	PAD DRIVER, 12" (FANG26T)	2	\$59.50
	VF83127	POLY SCRUB BRUSH, 12" (FANG26T - OPTIONAL)	2	\$70.75
	VF83207	PAD DRIVER, 13" (FANG28T)	2	\$62.88
	VF83206	POLY SCRUB BRUSH, 13" (FANG28T - OPTIONAL)	2	\$79.00
22	VF13502	NUT, LOCK, M6	6	\$1.13
23	VF83118	SPACER	2	\$8.13
24	VF99003A	BIG MOUTH	2	\$9.75
25	VA13484	SELF-TAPPING SCREW, ST4 X 12	6	\$1.13
26	MF-VF002-4A	SELF-TAPPING SCREW, 1/4" X 1"	6	\$1.13
27	VF14241	SCREW, 5/16" X 1"	2	\$3.38
28	VV20298	WASHER, LOCK, 5/16"	2	\$1.13
29	VF82058	WASHER	2	\$2.13
30	VF83130A	DRIVE PLATE, COMPLETE ASSEMBLY	2	\$31.25
31	VF83130	PLATE, DRIVE	2	\$18.00
32	VF83134	STOP, DRIVE RELEASE	2	\$4.25
33	VF83132	SPRING	2	\$3.38
34	VF83131	CLAMP, BRUSH PLATE	2	\$1.13
35	VV13601	WASHER, LOCK, M5	8	\$1.13
36	VF13545	SELF-TAPPING SCREW, ST5 X 10	8	\$1.13
37	VV13604	SCREW, M8 X 20	8	\$1.50
38	VF14242	SCREW, 3/8" X 1"	8	\$4.25
39	VV13620	WASHER, LOCK, 3/8"	8	\$1.38
40	VF13537	WASHER, PLAIN, M10 X M26 X 2	8	\$1.25
41	VF83114	PIN, M16 X 42	1	\$4.75

DIA NO	PART NUMBER	DESCRIPTION	NO REQ'D	LIST \$ (ea)
42	ZD45407	KEY, 6.35 x 25	2	\$3.13
43	ZD45000	BRUSH MOTOR, 24VDC, .75HP	2	\$536.25
44	VF14230	SCREW, M5 X 15	4	\$1.13

# PARTS LIST

## CONTROL CONSOLE GROUP FOR FANG 24T, FANG 26T & FANG 28T

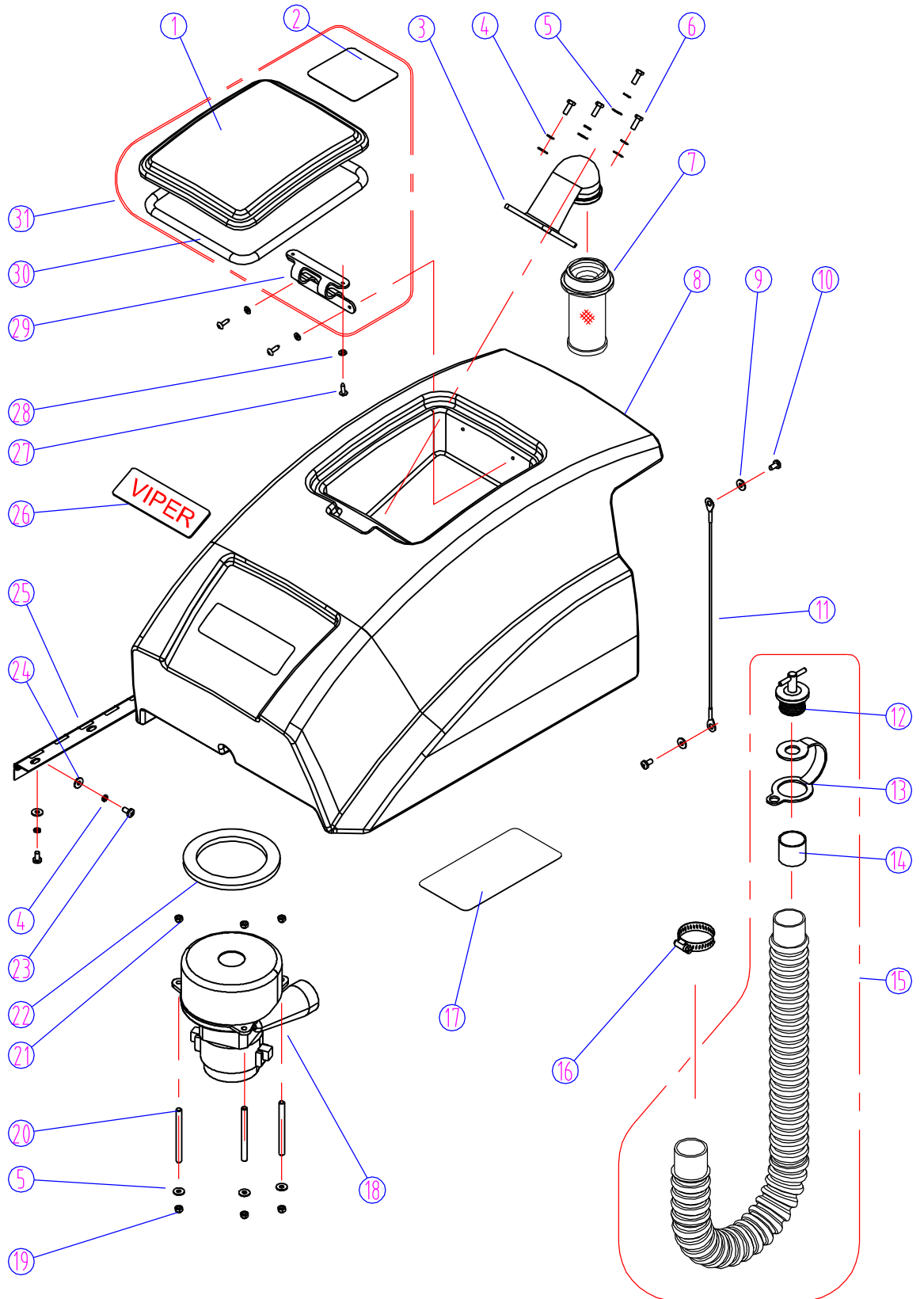


**CONTROL HOUSING - FANG 24T-26T-28T - LIST PRICE**

DIA NO	PART NUMBER	DESCRIPTION	NO REQ'D	LIST \$ (ea)
1	VF13491	SCREW, M4 X 12	7	\$1.13
2	VF14122	WASHER, PLAIN, M10 X M20 X 2	2	\$2.00
3	VF14121	SCREW, M10 X 65	2	\$2.38
4	VF13502	NUT, LOCK, M6	10	\$1.13
5	GT13032	WASHER, PLAIN, M6	6	\$1.13
6	VF81781	DIODE, 400V	3	\$4.25
7	VF81726	SOLENOID, 24V	3	\$30.63
8	VF81734	CIRCUIT BREAKER, 35 AMP	1	\$13.38
9	VF83149	LABEL, CIRCUIT BREAKER	1	\$1.50
10	VF82301	HOUSING, CONTROL	1	\$104.50
11	VF81713	BUSHING	2	\$1.88
12	VF82305	LABEL, SPEED CONTROL	1	\$1.50
13	VF14078	SCREW, M3 X 10	6	\$1.25
14	VA50477	WASHER, PLAIN, M3 X M10 X 1	6	\$1.25
15	VF81718	LIGHTS, BATTERY CAPACITY	1	\$19.75
16	VF82313	GASKET	1	\$3.75
17	VF13495	SCREW, M6 X 16	4	\$1.13
18	VF81719	SPACER	6	\$1.13
19	VF83137A	PANEL, SWITCH	1	\$10.50
20	VF81708A	LABEL, SWITCH (FANG 24T)	1	\$7.25
	VF83138A	LABEL, SWITCH (FANG 26T)	1	\$7.25
	VF83209A	LABEL, SWITCH (FANG 28T)	1	\$7.25
21	VF81721	SWITCH, LIGHTED ROCKER	4	\$29.13
22	VF81727	GAUGE, BRUSH PRESSURE	1	\$61.75
23	VF81725	SWITCH, BRUSH LIFT	1	\$31.75
24	VF14200	SCREW, M6 X 16	12	\$1.13
25	VF81730	KNOB, SPEED CONTROL	1	\$4.25
26	VF81709	PIN, HANDLE LOCK	2	\$3.38
27	VF81716	SPRING	1	\$3.38
28	VF81710	PIN, HANDLE ADJUSTMENT	2	\$3.13
29	VF81729B	POTENTIOMETER, 4.7K (WITH WIRES)	1	\$8.00
30	VF82316	PLATE	1	\$21.50
31	VF81739-24T	SPEED CONTROL BOARD	1	\$247.00
32	VF81115	SERIAL TAG (FANG 24T)	1	\$1.13
	VF83145	SERIAL TAG (FANG 26T)	1	\$1.13
	VF83210	SERIAL TAG (FANG 28T)	1	\$1.13
33	VF82083	DECAL, BATTERY WARNING	1	\$6.25
34	VF83148	LABEL, CIRCUIT BREAKER	1	\$1.50
35	VF82303	PANEL, CONTROL HOUSING	1	\$23.00
36	VF81703	BATTERY CAPACITY, CONTROL BOARD	1	\$35.38
37	VF82312	GASKET	1	\$2.25
38	VF99012	CIRCUIT BREAKER, 12 AMP	1	\$12.38
39	VF82107	TRIGGER, RIGHT, RED	1	\$12.75
	VF82107BD	TRIGGER, RIGHT, BLACK	1	\$12.75
40	VF81711	BOLT, SHOULDER, M8 X 15 X M6	2	\$7.00
41	VF81712	SPRING	1	\$1.13
42	VF13514A	WASHER, PLAIN, M8 X M16.5 X 1	2	\$1.13
43	VF82106	TRIGGER, LEFT, RED	1	\$12.75
	VF82106BD	TRIGGER, LEFT, BLACK	1	\$12.75
44	VF14212	SCREW, M3 X 25	2	\$1.13
45	VF13511	WASHER, TOOTH, M3	2	\$1.13
46	VF44203	SWITCH ASSEMBLY	1	\$23.50
47	VF81707	BRACKET, SWITCH	1	\$7.00
48	VV13652	NUT, LOCK, M3	2	\$1.13
49	VF81714	TUBE, HANDLE ADJUSTMENT	1	\$9.50
50	VF82153	KIT, KEY SWITCH	1	\$25.13
51	VF81744	STRAIN RELIEF, CORD	1	\$4.38
52	VF81722	SWITCH, TOGGLE	1	\$12.25
53	VF81734	CIRCUIT BREAKER, 35 AMP	2	\$13.38

# PARTS LIST

## FANG 24T, FANG 26T & FANG 28T - RECOVERY TANK ASSEMBLY



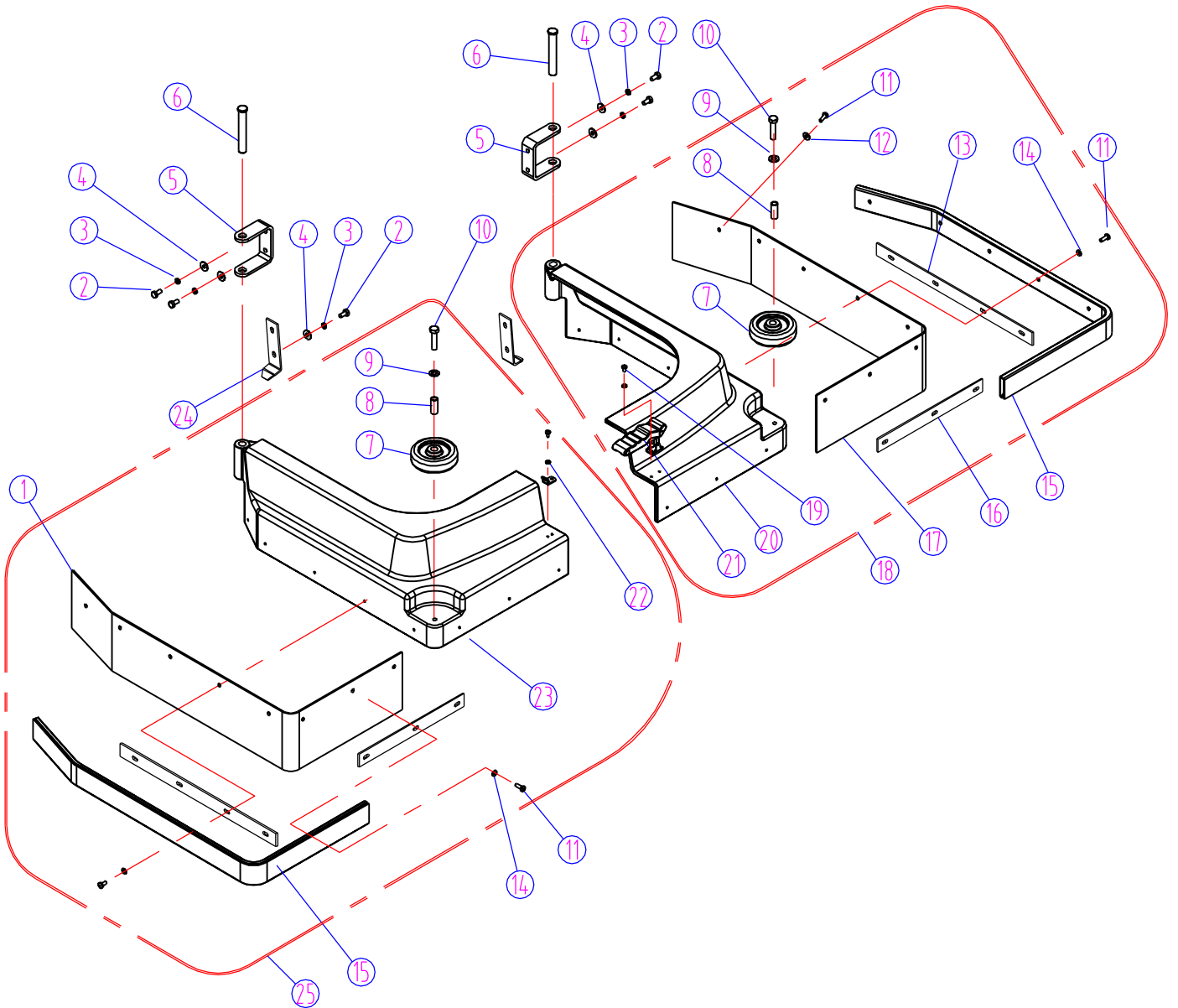


## RECOVERY TANK - FANG 24T - 26T - 28T

DIA NO	PART NUMBER	DESCRIPTION	NO REQ'D	LIST \$ (ea)
1	VF82010	CLEAR COVER, RECOVERY TANK	1	\$16.13
2	VF82083	DECAL, BATTERY WARNING	1	\$6.25
3	VF82009	ELBOW ADAPTOR, FLOAT	1	\$12.38
4	VV13607	WASHER, LOCK, M6	13	\$1.13
5	VF13533	WASHER, PLAIN, M6 X M16 X 2	7	\$1.13
6	VF14233	SCREW, M6 X 20	4	\$1.13
7	VF81504	FLOAT	1	\$17.50
8	VF83102	RECOVERY TANK	1	\$673.75
9	VF13528	WASHER, TOOTH, LOCK, M6	2	\$1.13
10	VF13495	SCREW, M6 X 16	2	\$1.13
11	VF82028	CABLE	1	\$9.75
12	VF81509	PLUG, EXPANSION	1	\$23.00
13	VF81510-9	STRAP,DRAIN HOSE	1	\$3.50
14	VF81510-2	SLEEVE, DRAIN HOSE	1	\$7.00
15	VF81510A	DRAIN HOSE ASSEMBLY	1	\$83.25
16	VV10113	CLAMP, 2"	1	\$2.63
17	VF83154	DECAL, BATTERY INSTALLATION	1	\$6.00
18	ZD54000	MOTOR, VAC, 3-STAGE, 24VDC	1	\$286.00
19	VF13502	NUT, LOCK, M6	3	\$1.13
20	VF81508	STUD	3	\$1.63
21	VF13521	NUT, M6	3	\$1.13
22	VF81503	SEAT	1	\$5.25
23	VF14200	SCREW, M6 X 16	9	\$1.13
24	GT13032	WASHER, PLAIN, M6 X M16 X 1.5	9	\$1.13
25	VF82011	HINGE, RECOVERY TANK	1	\$27.38
26	VF83143	LOGO	1	\$12.25
27	VA13477	SELF-TAPPING SCREW, ST, M4 X 16	4	\$1.13
28	VV13664	WASHER, PLAIN, M4 X M12 X 1	4	\$1.13
29	VF82010A	RUBBER HINGE	1	\$10.50
30	VF82010B	GASKET	1	\$7.75
31	VF82010X	KIT, CLEAR LID	1	\$31.75

# PARTS LIST

## FANG 24T, FANG 26T & FANG 28T - BRUSH SKIRT ASSEMBLY

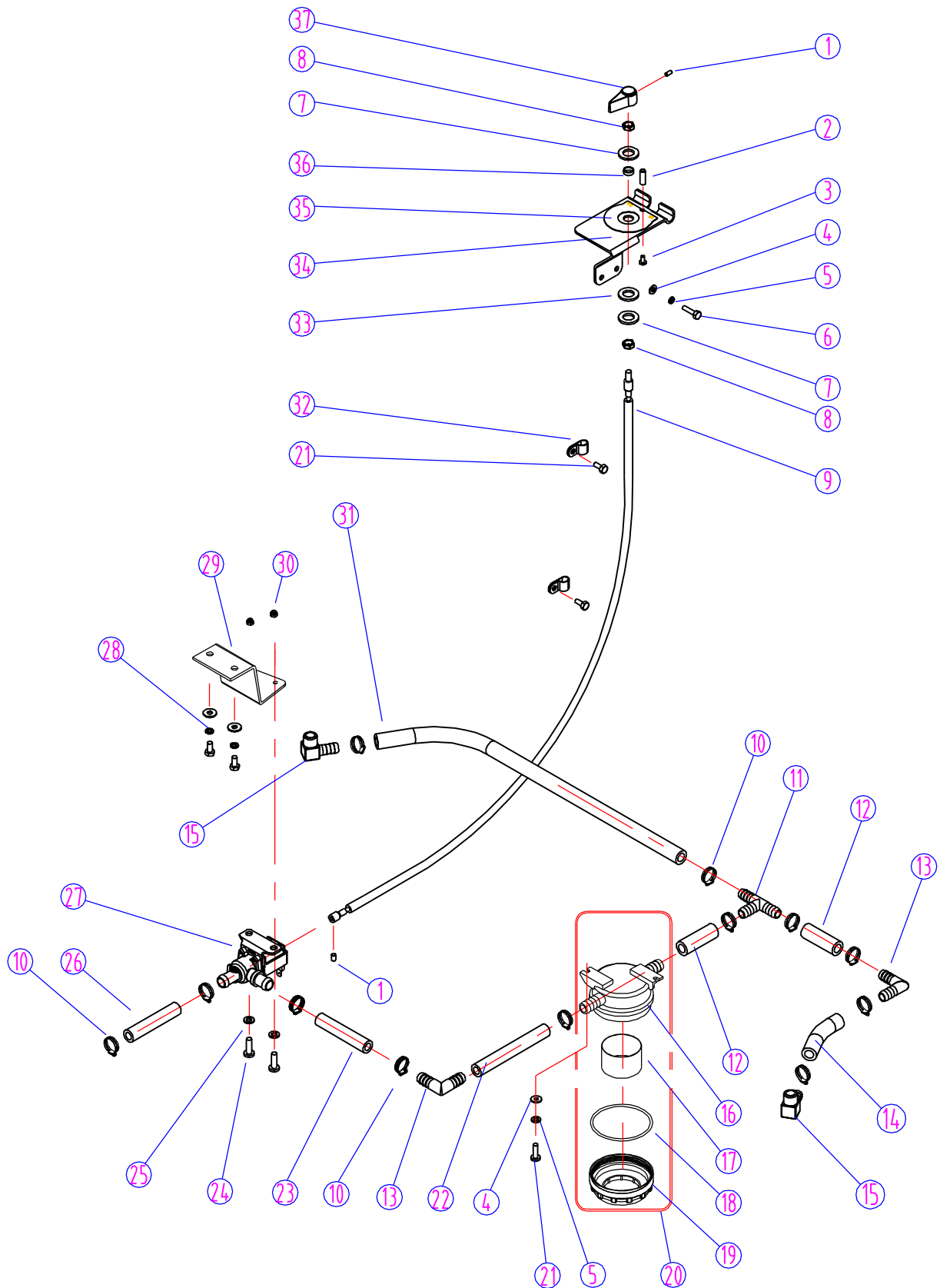


**BRUSH SKIRT ASSY - FANG 24T-26T-28T - LIST PRICE**

DIA NO	PART NUMBER	DESCRIPTION	NO REQ'D	LIST \$ (ea)
1	VF81109	BUMPER (FANG 24T)	1	\$18.00
	VF83105	BUMPER (FANG 26T)	1	\$19.38
	VF83203	BUMPER (FANG 28T)	1	\$21.50
2	VF13495	SCREW, M6 X 16	8	\$1.13
3	VV13607	WASHER, LOCK, M6	8	\$1.13
4	VF13533	WASHER, PLAIN, M6	8	\$1.13
5	VF83107	BRACKET, SKIRT MOUNT	2	\$7.75
6	VF83108	PIN, SKIRT	2	\$8.13
7	VF82013	WHEEL, 3"	2	\$12.38
8	VF82055	BUSHING	2	\$3.38
9	VF13514A	WASHER, PLAIN, M8 X M16.5 X 1	2	\$1.13
10	VF14236	SCREW, M8 X 40	2	\$1.88
11	VA13474	SCREW, M5 X 16	18	\$1.13
12	VF13550	WASHER, PLAIN, M5 X M25 X 1.5	4	\$1.13
13	VF81130	CLAMP, BUMPER (FANG 24T)	2	\$9.75
	VF83151	CLAMP, BUMPER (FANG 26T)	2	\$9.75
	VF83214	CLAMP, BUMPER (FANG 28T)	2	\$9.75
14	VA13400	WASHER, PLAIN, M5 X M11 X 1	14	\$1.13
15	VF81117	GRIP, BUMPER (FANG 24T)	2	\$12.25
	VF83147	GRIP, BUMPER (FANG 26T)	4	\$13.00
	VF83212	GRIP, BUMPER (FANG 28T)	2	\$13.25
16	VF81131	CLAMP, BUMPER (FANG 24T)	2	\$9.75
	VF83213	CLAMP, BUMPER (FANG 28T)	2	\$9.75
17	VF81109A	BUMPER (FANG 24T)	1	\$24.63
	VF83105A	BUMPER (FANG 26T)	1	\$25.38
	VF83203A	BUMPER (FANG 28T)	1	\$26.75
18	VF81108R	RIGHT SKIRT, ASSEMBLY (FANG 24T)	1	\$126.38
	VF83104R	RIGHT SKIRT, ASSEMBLY (FANG 26T)	1	\$133.25
	VF83202R	RIGHT SKIRT, ASSEMBLY (FANG 28T)	1	\$140.13
19	VV20519	SCREW, M4 X 8	4	\$1.13
20	VF81108	OBSOLETE, SEE #18 - VF81108R	1	N/A
	VF83104	OBSOLETE, SEE #18 - VF83104R	1	N/A
	VF83202	OBSOLETE, SEE #18 - VF83202R	1	N/A
21	VF83109	LATCH, HOOD	1	\$10.50
22	VV20291	WASHER, LOCK, M4	4	\$1.13
23	VF81107	OBSOLETE, SEE #25 - VF81107L	1	N/A
	VF83103	OBSOLETE, SEE #25 - VF83103L	1	N/A
	VF83201	OBSOLETE, SEE #25 - VF83201L	1	N/A
24	VF83142	BLOCK, SKIRT	2	\$3.13
25	VF81107L	LEFT SKIRT, ASSEMBLY (FANG 24T)	1	\$115.75
	VF83103L	LEFT SKIRT, ASSEMBLY (FANG 26T)	1	\$122.63
	VF83201L	LEFT SKIRT, ASSEMBLY (FANG 28T)	1	\$129.50

# PARTS LIST

## FANG 24T, FANG26T & FANG 28T - SOLUTION CONTROL ASSEMBLY

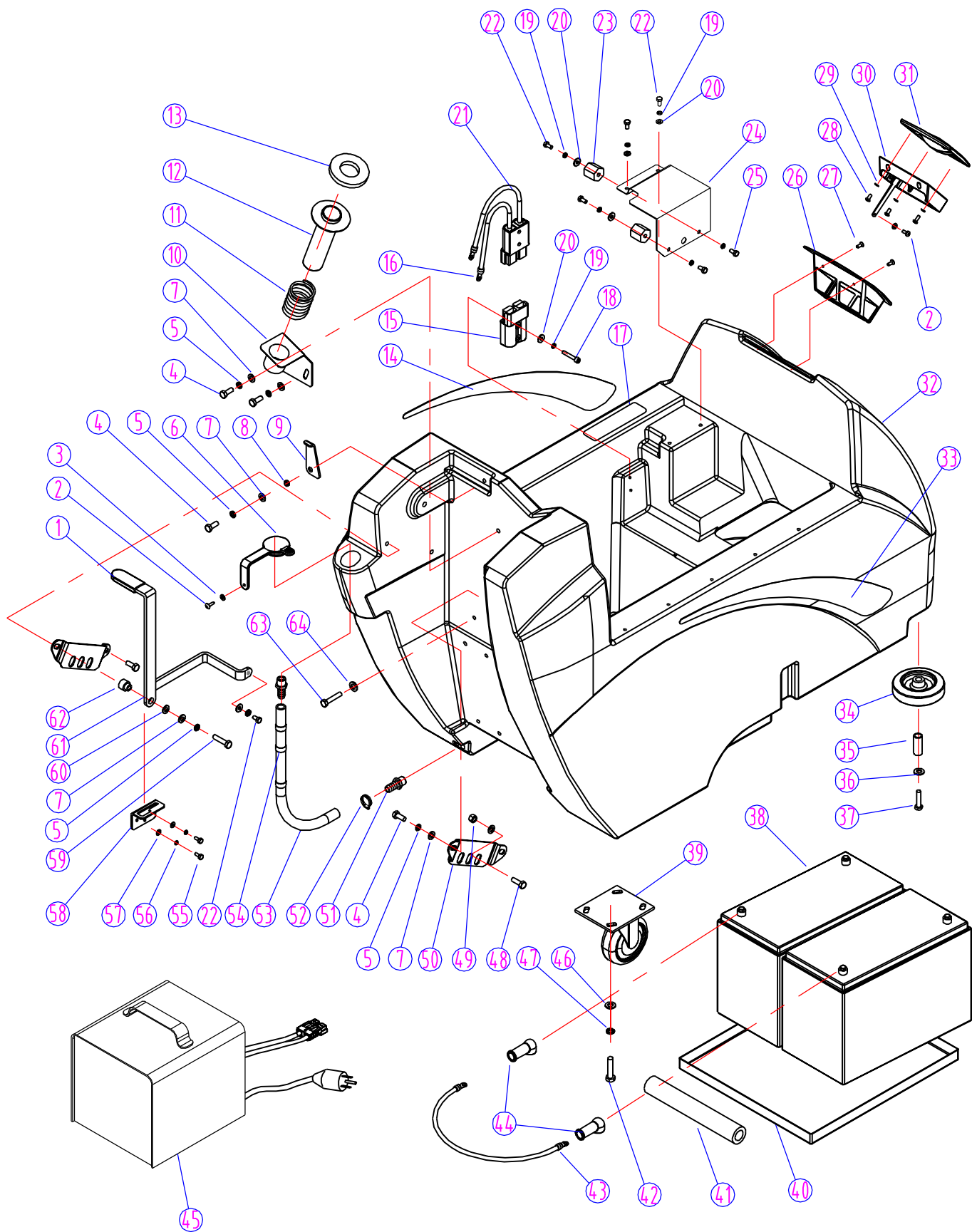


## SOLUTION CONTROL - FANG 24T-26T-28T - LIST PRICE

DIA NO	PART NUMBER	DESCRIPTION	NO REQ'D	LIST \$ (ea)
1	VF14245	SCREW, M5 X 6	2	\$1.13
2	VF82036	SHAFT	1	\$2.00
3	VV13650	SCREW, M4 X 10	1	\$1.13
4	VF13532	WASHER, PLAIN, M5	4	\$1.13
5	VV13601	WASHER, LOCK, M5	4	\$1.13
6	VF14230	SCREW, M5 X 15	2	\$1.13
7	VF13536	WASHER, PLAIN, M9.8 X M16 X 1	2	\$1.13
8	VF82075	NUT, 3/8"	2	\$1.13
9	VF83121	CABLE, SOLENOID	1	\$16.13
10	VF82148	CLAMP, 16mm	14	\$1.25
11	VF82040	HOSE BARB TEE	1	\$7.50
12	VF81134	TUBING, 50mm	2	\$1.63
13	VF82042	ELBOW	2	\$2.13
14	VF81124	TUBING, 115mm	1	\$2.63
15	VF81403A	ELBOW, SOLUTION TANK	2	\$13.63
16	VF80112	MOUNTING BASE, FILTER (2.75" / BLK / VIP)	1	\$19.88
	HP1014	MOUNTING BASE, FILTER (1.5" / WHITE / HY PRO)	1	\$20.88
17	VF80113	MESH FILTER (2.75 / VIP)	1	\$5.38
	HP1012	MESH FILTER (1.5" / HY PRO)	1	\$8.63
18	VF82139	"O" RING (2.75" / VIP)	1	\$3.13
	HP1013	"O" RING (1.5" / HY PRO)	1	\$4.75
19	VF80111	CLEAR COVER, FILTER (2.75" / VIP)	1	\$12.38
	HP1011	CLEAR COVER, FILTER (1.5" / HY PRO)	1	\$17.00
20	VF80111A	KIT, FILTER ASSEMBLY (2.75" / VIP)	1	\$41.88
	HP1016	KIT, FILTER ASSEMBLY (1.5" / HY PRO)	1	\$49.38
21	VV20509	SCREW, M5 X 10	5	\$1.13
22	VF81125	TUBING, 200mm	1	\$5.50
23	VF81126	TUBING, 80mm	1	\$2.63
24	VF13495	SCREW, M6 X 16	4	\$1.13
25	VF13533	WASHER, PLAIN, M6 X M16 X 2	4	\$1.13
26	VF81127	TUBING, 65mm	1	\$2.63
27	VF82033-24	SOLENOID, SOLUTION VALVE, 24VDC	1	\$27.13
28	VV13607	WASHER, LOCK, M6	2	\$1.13
29	VF83120	BRACKET, SOLENOID	1	\$10.88
30	VF13502	NUT, LOCK, M6	2	\$1.13
31	VF81128	TUBING, 320mm	1	\$5.50
32	VF81118	CLAMP	2	\$1.38
33	VF13540	WASHER, WAVE, M12	1	\$1.13
34	VF82037	BRACKET, DRAIN HOSE & VALVE	1	\$13.38
35	VF82069	LABEL, VALVE	1	\$2.50
36	VF82074	BUSHING	1	\$1.25
37	VF82038	KNOB, VALVE ADJUSTMENT	1	\$4.50

# PARTS LIST

## SOLUTION TANK GROUP FOR FANG 24T, FANG 26T & FANG 28T



## SOLUTION TANK - FANG 24T-26T-28T - LIST PRICE

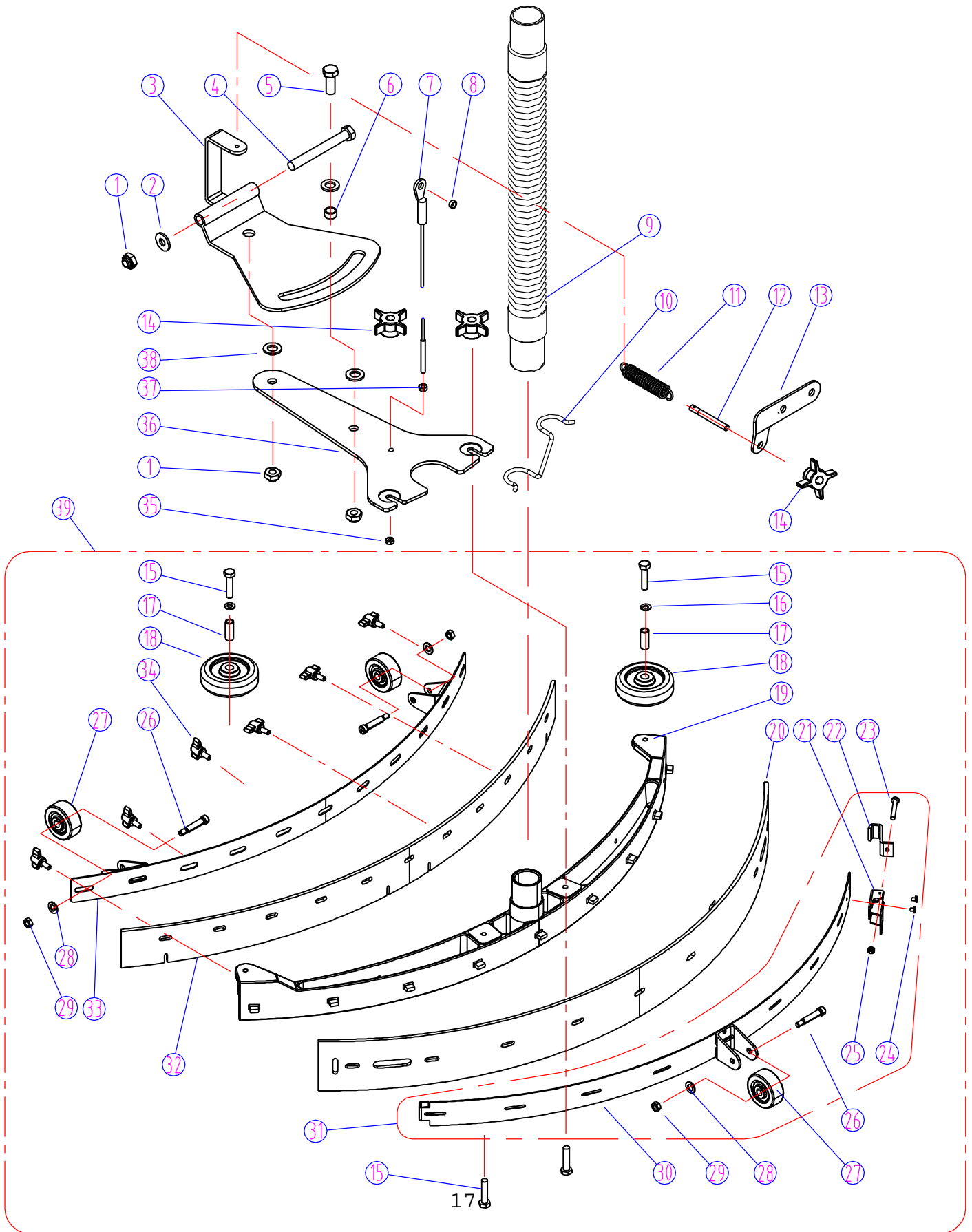
DIA NO	PART NUMBER	DESCRIPTION	NO REQ'D	LIST \$ (ea)
1	VF81405	GRIP, HANDLE, RED	1	\$2.38
	VF81405BD	GRIP, HANDLE, BLACK	1	\$2.38
2	VA13477	SELF-TAPPING SCREW, ST, 4 X 16	3	\$1.13
3	VV13664	WASHER, PLAIN, M4 X M12 X 1	1	\$1.13
4	VV13604	SCREW, M8 X 20	6	\$1.50
5	VF13519	WASHER, LOCK, M5 X M11 X 28	6	\$1.13
6	VF82154	PLUG, EXPANSION	1	\$4.25
7	VF13535	WASHER, PLAIN, M8 X M20 X 2	8	\$1.50
8	VF81406	BUSHING	1	\$1.25
9	VF81404	SUPPORT, RECOVERY TANK	1	\$3.88
10	VF82029	BRACKET, VAC TUBE	1	\$18.00
11	VF82032	SPRING	1	\$7.00
12	VF82030	ADAPTER, TUBE	1	\$21.38
13	VF82031A	GASKET, TUBE ADAPTER	1	\$2.50
14	VF82070	LABEL, LEFT	1	\$19.75
15	VF81306	CONNECTOR, 175A	2	\$41.50
16	VF81747	WIRE, #6 X 750	1	\$9.50
17	VF82123	DECAL	1	\$2.00
18	VF13633	SCREW, M6 X 35	2	\$1.13
19	VV13607	WASHER, LOCK, M6	8	\$1.13
20	GT13032	WASHER, PLAIN, M6 X M16 X 1.5	6	\$1.13
21	VF81748	WIRE, #6 X 750	1	\$9.50
22	VF13495	SCREW, M6 X 16	4	\$1.13
23	VF81715	STANDOFF	2	\$2.38
24	VF82067	BRACKET	1	\$10.50
25	VF14232	SCREW, M6 X 10	2	\$1.25
26	VF82078	SCREEN, FILL	1	\$15.50
27	VF13543	SELF-TAPPING SCREW, ST, 4 X 16	2	\$1.13
28	VF13544	SELF-TAPPING SCREW, ST, 4 X 10	6	\$1.13
29	VA13483	WASHER, PLAIN, M4 X M9 X 0.8	7	\$1.13
30	VF82081	PLUG, FILL SCREEN	1	\$13.38
31	VF82079	COVER, FILL SCREEN	1	\$10.00
32	VF83101	SOLUTION TANK	1	\$929.50
33	VF82071	LABEL, RIGHT	1	\$19.75
34	VF99001	WHEEL, 4"	2	\$9.75
35	VF83129	BUSHING	2	\$5.00
36	VF13514A	WASHER, PLAIN, M8 X M16.5 X 1	2	\$1.13
37	VF13635	SCREW, M8 X 50	2	\$1.88
38	BAT195I	BATTERY, 12V, 215 AMP HOUR	2	CALL
39	VF83111	CASTER, 4"	2	\$31.25
40	VF83140	TRAY, BATTERY	1	\$17.50
41	VF82072	SPACER, BATTERY	1	\$11.88
42	VF13634	SCREW, M10 X 30	8	\$1.88
43	VF82403	CABLE, BATTERY	1	\$16.00
44	VF81724	CAP, BATTERY, BLACK	2	\$2.63
	VF81724R	CAP, BATTERY, RED	2	\$2.63
45	CHRGR18	CHARGER, 24V, 18AMP	1	\$617.38
	CHRGR18GEL	CHARGER, GEL CEL, 24V, 18AMP	1	\$646.25
46	VF13537	WASHER, PLAIN, M10 X M26 X 2	8	\$1.25
47	VF13518	WASHER, LOCK, M10	8	\$1.13
48	VF14234	SCREW, M8 X 16	2	\$1.50
49	VF13513	NUT, M8	2	\$1.13
50	VF81408	PLATE, LOCK	2	\$17.38
51	VF81416	HOSE BARB	2	\$10.50
52	VF82090	CLAMP (16-25)	1	\$2.63
53	VF81123	TUBING	1	\$2.63

DIA NO	PART NUMBER	DESCRIPTION	NO REQ'D	LIST \$ (ea)
54	VF82306A	KIT, LABEL, MARKERS	1	\$3.75
55	VF14230	SCREW, M5 X 15	3	\$1.13
56	VV13601	WASHER, LOCK, M5	3	\$1.13
57	VF13532	WASHER, PLAIN, M5 X M11 X 2	3	\$1.13
58	VF81202	PLATE, SQUEEGEE, LOCK	1	\$10.00
59	VF14235	SCREW, M8 X 35	1	\$1.63
60	VF48216	WASHER, LOCK, M12.7	1	\$1.13
61	VF83124	HANDLE, SQUEEGEE, LIFT	1	\$16.38
62	VF82050A	BUSHING	1	\$1.88
63	VF14248	SCREW, M8 X 100	1	\$3.13
64	VA13516	WASHER, PLAIN, M10 X M30 X 1.5	1	\$1.13



# PARTS LIST

## FANG 24T, FANG 26T & FANG 28T - SQUEEGEE ASSEMBLY



**SQUEEGEE ASSEMBLY - FANG 24T-26T-28T - LIST PRICE**

DIA NO	PART NUMBER	DESCRIPTION	NO REQ'D	LIST \$ (ea)
1	VF13501	NUT, LOCK, M12	3	\$1.25
2	VF13538	WASHER, PLAIN, M12 X M26 X 2	1	\$1.88
3	VF83122	MOUNT, PIVOT	1	\$54.75
4	VF13637	SCREW, M12 X 130	1	\$5.38
5	VF14238	SCREW, M12 X 30	2	\$4.75
6	VF82016A	BUSHING	2	\$1.50
7	VF81243	CABLE, SQUEEGEE, LIFT	1	\$13.38
8	VF82112	BUSHING	1	\$1.13
9	VF81203A	HOSE	1	\$12.75
10	VF83150	HOLDER, "U" HOSE	1	\$7.75
11	VF83144	SPRING	1	\$12.25
12	VF82047	SHAFT	1	\$2.63
13	VF83125	BRACKET, SPRING	1	\$8.63
14	VF81210	KNOB, M8	3	\$9.75
15	VF14236	SCREW, M8 X 40	4	\$1.88
16	VF13514A	WASHER, PLAIN, M8 X M16.5 X 1	2	\$1.13
17	VF82055	BUSHING	2	\$3.38
18	VF82013	WHEEL, 3"	2	\$12.38
19	VF81201	HOUSING, SQUEEGEE (24T & 26T)	1	\$142.00
	VF81231	HOUSING, SQUEEGEE (28T)	1	\$155.75
20	VF81206	BLADE, SQUEEGEE, REAR (PU / BLUE) (24T & 26T)	1	\$54.75
	VF81216	BLADE, SQUEEGEE, REAR (NEOPRENE / RED) (24T & 26T)	1	\$29.63
	VF81237	BLADE, SQUEEGEE, REAR (PU /BLUE) (28T)	1	\$60.25
	VF81235	BLADE, SQUEEGEE, REAR (NEOPRENE / RED) (28T)	1	\$32.50
21	VF81218	LATCH, HOOD	1	\$9.75
22	VF81209	HOOK, REAR SQUEEGEE BACKUP ADJUSTMENT	1	\$3.75
23	VF14310	SCREW, M5 X 70	1	\$1.25
24	VF81208	RIVET, M4 X 5	2	\$1.14
25	GT13022	NUT, LOCK, M5	1	\$1.13
26	VF81222	BOLT, SHOULDER, 5/16" X 1.25"	3	\$10.50
27	VF81219	WHEEL, 2"	3	\$7.75
28	VF13535	WASHER, PLAIN, M8 X M20 X 2	3	\$1.50
29	VV20203	NUT, LOCK, 5/16"	3	\$1.25
30	VF81214	BACKUP STRIP, SQUEEGEE, REAR (24T & 26T)	1	\$16.38
	VF81233	BACKUP STRIP, SQUEEGEE, REAR (28T)	1	\$17.75
31	VF81214A	BACKUP STRIP, ASSEMBLY (24T & 26T)	1	\$57.75
	VF81233A	BACKUP STRIP, ASSEMBLY (28T)	1	\$58.50
32	VF81205	BLADE, SQUEEGEE, FRONT (PU / BLUE) (24T & 26T)	1	\$41.00
	VF81215	BLADE, SQUEEGEE, FRONT (NEOPRENE / RED) (24T & 26T)	1	\$25.00
	VF81236	BLADE, SQUEEGEE, FRONT (PU / BLUE) (28T)	1	\$44.75
	VF81234	BLADE, SQUEEGEE, FRONT (NEOPRENE / RED) (28T)	1	\$28.00
33	VF81213	BACKUP STRIP, SQUEEGEE, FRONT (24T & 26T)	1	\$16.38
	VF81232	BACKUP STRIP, SQUEEGEE, FRONT (28T)	1	\$17.75
34	VF82121	KNOB, M6	6	\$4.50
35	VF13502	NUT, LOCK, M6	1	\$1.13
36	VF83123	BRACKET, SQUEEGEE, MOUNT	1	\$54.75
37	VF13521	NUT, M6	1	\$1.13
38	VF13539	WASHER, PLAIN, M12 X M32 X 2	4	\$1.38
39	VF81008A	SQUEEGEE ASSEMBLY (24T & 26T)	1	\$271.88
	VF81008B	SQUEEGEE ASSEMBLY (28T)	1	\$302.00

# WIRING DIAGRAM FOR FANG 24T, FANG 26T & FANG 28T

