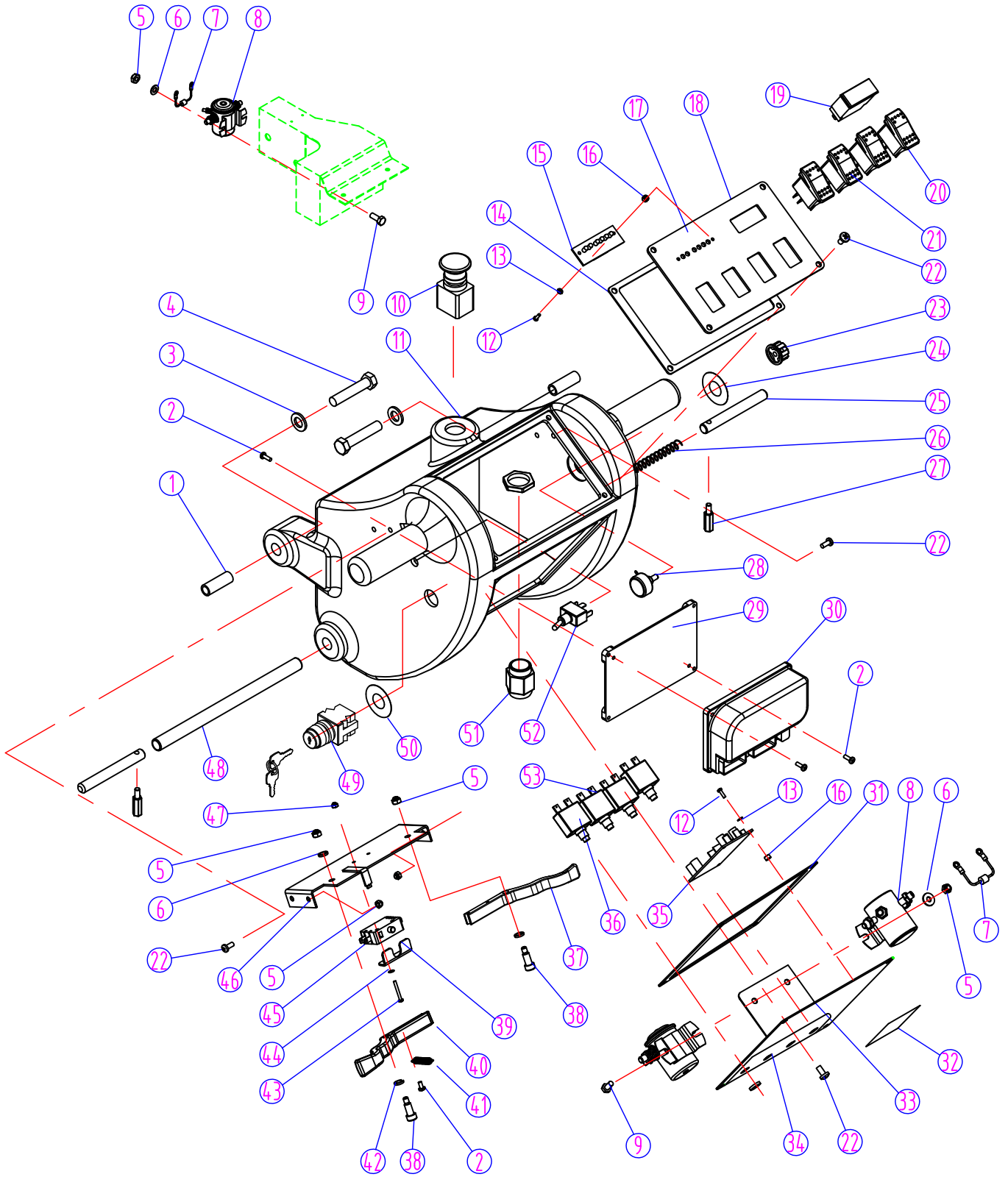


FANG 32T - CONTROL HOUSING

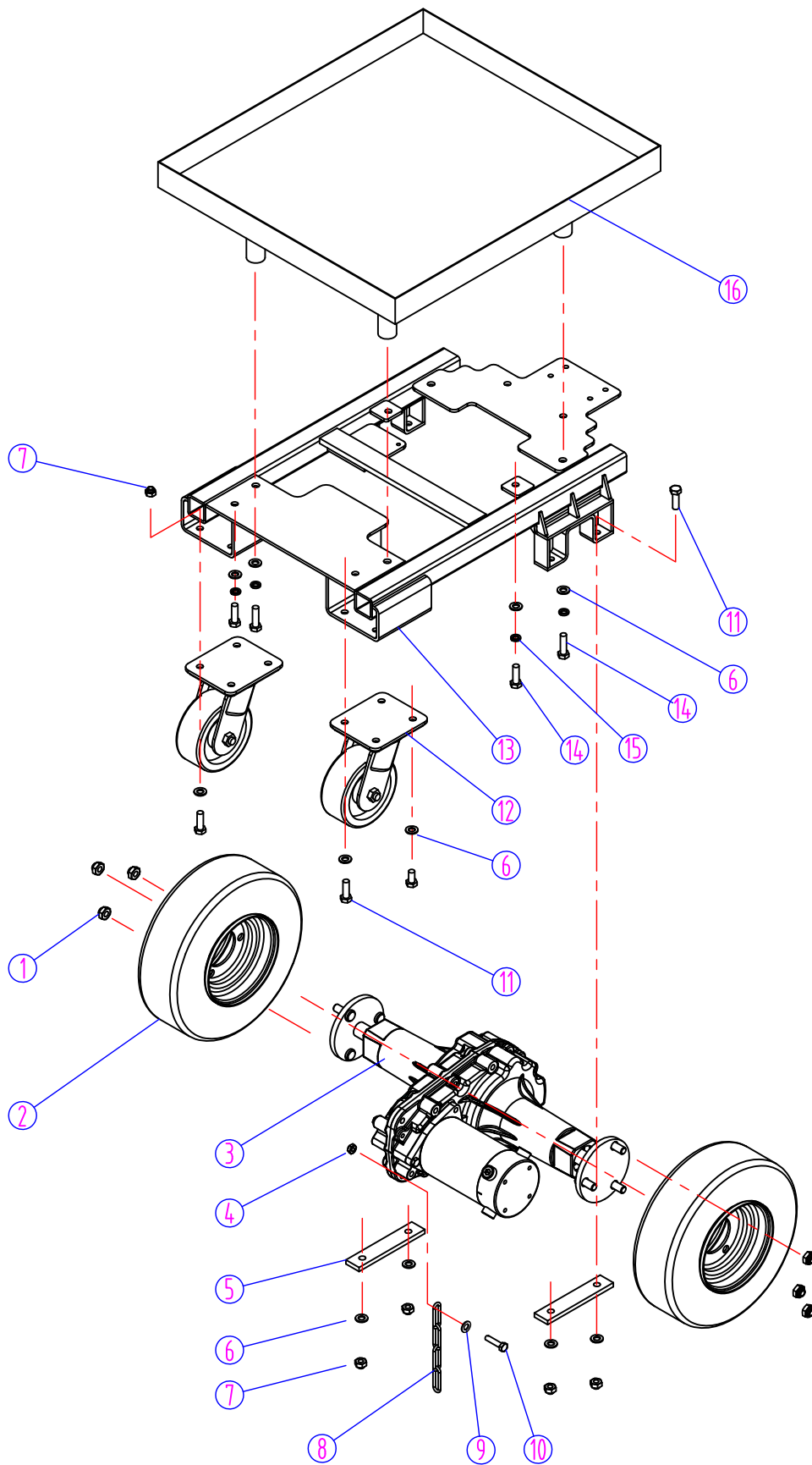


FANG 32T - CONTROL HOUSING - LIST PRICE

DIA NO	PART NUMBER	DESCRIPTION	NO REQ'D	LIST \$ (ea)
1	VF84703	BUSHING	2	\$1.50
2	VF13491	SCREW, M4 X 12	7	\$1.13
3	VF14122	WASHER, PLAIN, M10 X M20 X 2	2	\$2.00
4	VF14121	SCREW, M10 X 65	2	\$2.38
5	VF13502	NUT, LOCK, M6	10	\$1.13
6	GT13032	WASHER, PLAIN, M6	6	\$1.13
7	VF81781	DIODE, 400V	3	\$4.25
8	VF84716	SOLENOID, 36V	3	\$34.50
9	VF13495	SCREW, M6 X 16	12	\$1.13
10	VF84720	PUSH BUTTON SWITCH	1	\$12.75
11	VF84701	HOUSING, CONTROL	1	\$95.00
12	VF14078	SCREW, M3 X 10	6	\$1.25
13	VA50477	WASHER, PLAIN, M3 X M10 X 1	6	\$1.25
14	VF84711	GASKET	1	\$3.38
15	VF84717	LIGHTS,BATTERY CAPACITY	1	\$12.25
16	VF81719	SPACER	6	\$1.13
17	VF84702	LABEL, SWITCH (FANG 32T)	1	\$6.63
18	VF84704	PANEL, SWITCH (32")	1	\$9.63
19	VF81727	GAUGE, BRUSH PRESSURE	1	\$61.75
20	VF81725	SWITCH, BRUSH LIFT	1	\$31.75
21	VF84722	SWITCH, LIGHTED ROCKER	3	\$27.00
22	VF14200	SCREW, M6 X 16	12	\$1.13
23	VF81730	KNOB, SPEED CONTROL	1	\$4.25
24	VF82305	LABEL, SPEED CONTROL	1	\$1.50
25	VF84710	PIN, HANDLE LOCK	2	\$3.38
26	VF81716	SPRING	1	\$3.38
27	VF81710	PIN, HANDLE ADJUSTMENT	2	\$3.13
28	VF81729	POTENTIOMETER, 4.7K	1	\$8.00
29	VF84718	PLATE	1	\$6.75
30	VF84719	BOARD, SPEED CONTROL	1	\$425.00
31	VF84712	LABEL, CIRCUIT BREAKER	1	\$1.38
32	VF84713	SERIAL TAG	1	\$1.13
33	VF84705	PANEL, CONTROL HOUSING	1	\$20.88
34	VF84715	LABEL, CIRCUIT BREAKER	1	\$1.75
35	VF84723	CONTROL BOARD, BATTERY CAPACITY	1	\$19.13
36	VF99012	BREAKER, CIRCUIT, 12 AMP	1	\$12.38
37	VF84708	HANDLE, RIGHT	1	\$11.63
38	VF81711	BOLT, SHOULDER, M8 X 15 X M6	2	\$7.00
39	VF82327	GUIDE, SWITCH	1	\$2.25
40	VF84707	HANDLE, LEFT	1	\$11.63
41	VF81712	SPRING	1	\$1.13
42	VF13514A	WASHER, PLAIN, M8 X M16.5 X 1	2	\$1.13
43	VF14212	SCREW, M3 X 25	2	\$1.13
44	VF13511	WASHER, TOOTH, M3	2	\$1.13
45	VF44203	SWITCH ASSEMBLY	1	\$23.50
46	VF84706	BRACKET, SWITCH (32")	1	\$7.13
47	VV13652	NUT, LOCK, M3	2	\$1.13
48	VF84709	TUBE, HANDLE, ADJUSTMENT	1	\$8.38
49	VF82153	KEY SWITCH	1	\$25.13
50	VF82160	LABEL, KEY SWITCH	1	\$2.75
51	VF84721	CORD STRAIN RELIEF	1	\$3.38
52	VF81722	SWITCH, TOGGLE	1	\$12.25
53	VF81734	BREAKER, CIRCUIT, 35 AMP	3	\$13.38

PARTS LIST

FANG 32T - MAIN FRAME AND DRIVE ASSEMBLY

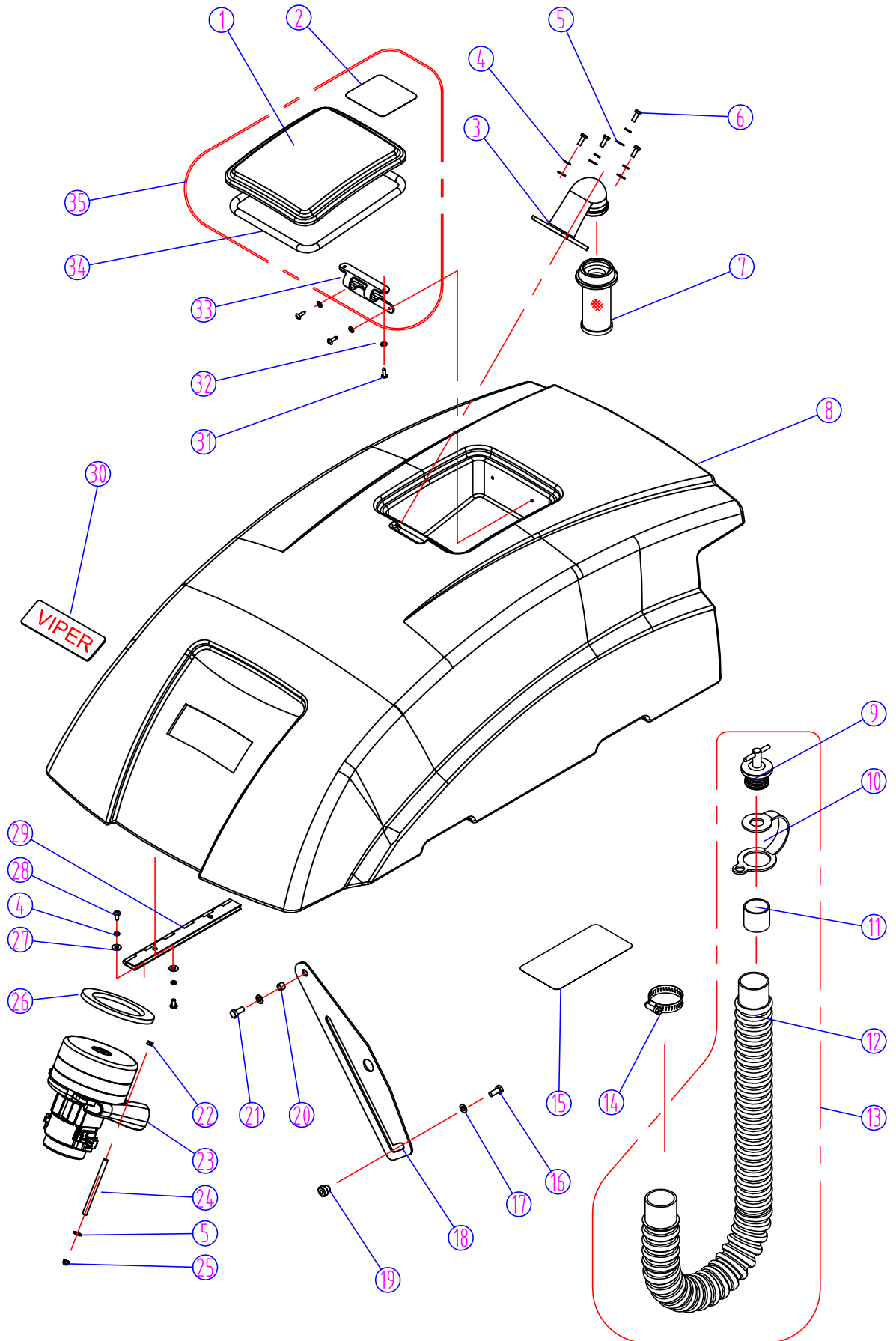


FANG 32T - MAIN FRAME AND DRIVE ASSEMBLY - LIST PRICE

DIA NO	PART NUMBER	DESCRIPTION	NO REQ'D	LIST \$ (ea)
1	VF13501	NUT, LOCK, M12	6	\$1.25
2	VF84118	TIRE, FOAM FILLED, BLACK (OPTIONAL)	2	\$236.13
	VF84119	TIRE, BLACK (STANDARD)	2	\$115.75
3	VF84800	TRANSAXLE	1	\$740.00
	ZD13000	TRANSAXLE MOTOR, 36VDC	1	\$158.75
4	VF13503	NUT, LOCK, M8	1	\$1.13
5	VF84112	PLATE, TRANSAXLE	2	\$7.75
6	VF13537	WASHER, PLAIN, M10 X M26 X 2	22	\$1.25
7	VF13504	NUT, LOCK, M10	12	\$1.13
8	VF84122	CHAIN, STATIC	1	\$16.63
9	VF13535	WASHER, PLAIN, M8 X M20 X 2	1	\$1.50
10	VF14235	SCREW, M8 X 35	1	\$1.63
11	VF14123	SCREW, M10 X 25	12	\$2.25
12	VF84117	CASTER, 5"	2	\$34.63
13	VF84103	FRAME	1	\$171.75
14	VF13634	SCREW, M10 X 30	10	\$1.88
15	VF13518	WASHER, LOCK, M10	10	\$1.13
16	VF84125	BATTERY TRAY	1	\$145.25

PARTS LIST

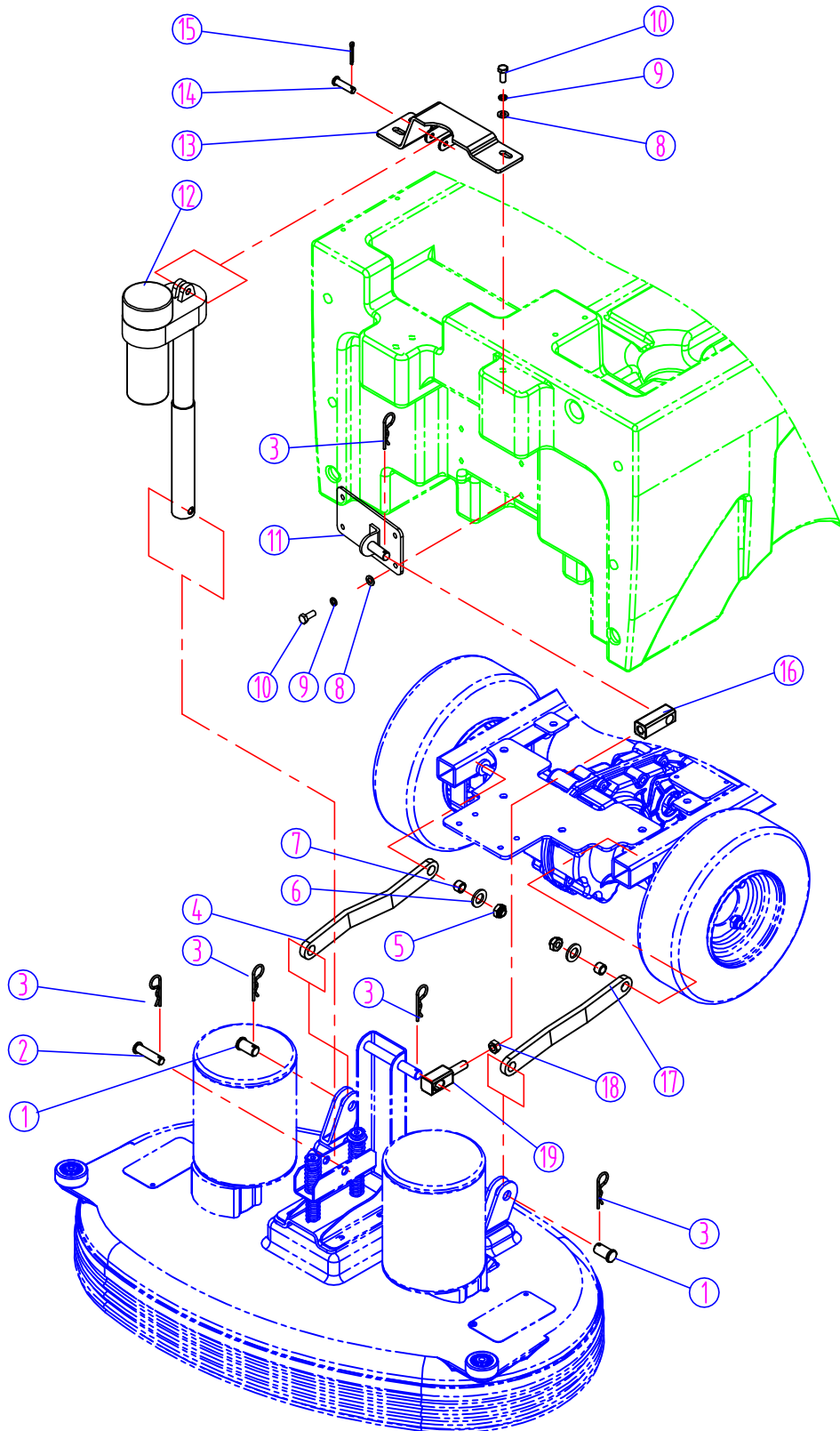
FANG 32T - RECOVERY TANK ASSEMBLY



FANG 32T - RECOVERY TANK ASSEMBLY - LIST PRICE

DIA NO	PART NUMBER	DESCRIPTION	NO REQ'D	LIST \$ (ea)
1	VF82010	CLEAR COVER, RECOVERY TANK	1	\$16.13
2	VF82083	DECAL, BATTERY WARNING	1	\$6.25
3	VF82009	ELBOW ADAPTOR, FLOAT	1	\$12.38
4	VV13607	WASHER, LOCK, M6	14	\$1.13
5	VF13533	WASHER, PLAIN, M6 X M16 X 2	7	\$1.13
6	VF14233	SCREW, M6 X 20	4	\$1.13
7	VF81504	FLOAT	1	\$17.50
8	VF84102	RECOVERY TANK	1	\$651.38
9	VF81509	EXPANSION PLUG	1	\$23.00
10	VF81510-9	STRAP, DRAIN HOSE	1	\$3.50
11	VF81510-2	SLEEVE, DRAIN HOSE	1	\$7.00
12	VF81510-1	DRAIN HOSE	1	\$45.50
13	VF81510A	DRAIN HOSE ASSEMBLY	1	\$83.25
14	VV10113	CLAMP, 2"	2	\$2.63
15	VF84124	DECAL, BATTERY INSTALLATION	1	\$5.50
16	VF14235	SCREW, M8 X 35	1	\$1.63
17	VF13535	WASHER, PLAIN, M8 X M20 X 2	2	\$1.50
18	VF84107	BRACKET, DROP ARM	1	\$13.88
19	VF84133	BUSHING	1	\$1.25
20	VF84216	BUSHING	1	\$1.25
21	VA13491	SCREW, M8 X 25	1	\$1.13
22	VF13521	NUT, M6	3	\$1.13
23	ZD60000	MOTOR, VACUUM, 3 STAGE, 36VDC	1	\$262.50
24	VF81508	STUD (24")	3	\$1.63
25	VF13502	NUT, LOCK, M6	3	\$1.13
26	VF81503	SEAT	1	\$5.25
27	GT13032	WASHER, PLAIN, M6 X M16 X 1.5	10	\$1.13
28	VF14200	SCREW, M6 X 16	10	\$1.13
29	VF84113	HINGE, RECOVERY TANK	2	\$24.88
30	VF83143	LOGO	1	\$12.25
31	VA13477	SCREW, SELF-TAPPING, ST, M4 X 16	4	\$1.13
32	VV13664	WASHER, PLAIN, M4 X M12 X 1	4	\$1.13
33	VF82010A	RUBBER HINGE	1	\$10.50
34	VF82010B	GASKET	1	\$7.75
35	VF82010-X	KIT, LID	1	\$31.75

FANG 32T - SCRUB HEAD LIFT ASSEMBLY

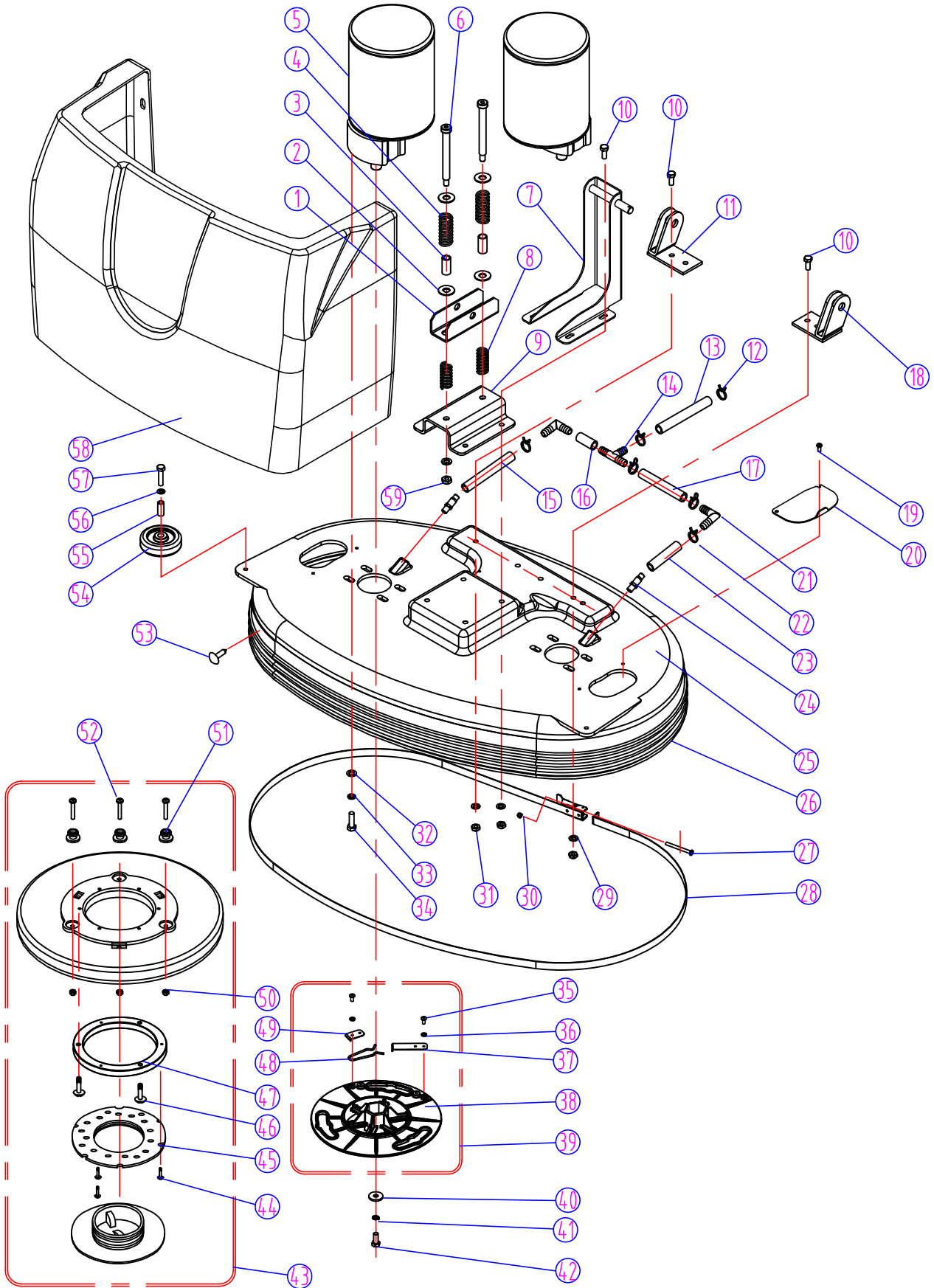


FANG 32T - SCRUB HEAD LIFT ASSEMBLY - LIST PRICE

DIA NO	PART NUMBER	DESCRIPTION	NO REQ'D	LIST \$ (ea)
1	VF84316	PIN, M16 X 30	2	\$1.63
2	VF84317	PIN, M13 X 51	1	\$1.75
3	VF84309	PIN, COTTER, M3 X 60.5	5	\$1.13
4	VF84105	ARM, LIFT, LEFT	1	\$13.38
5	VF13501	NUT, LOCK, M12	2	\$1.25
6	VF13538	WASHER, PLAIN, M12 X M22 X 2	2	\$1.88
7	VF84116	BUSHING	2	\$2.00
8	VF13535	WASHER, PLAIN, M8 X M20 X 2	7	\$1.50
9	VF13519	WASHER, LOCK, M8	7	\$1.13
10	VV13604	SCREW, M8 X 20	7	\$1.50
11	VF84336	BRACKET, BRUSH LIFT	1	\$14.00
12	VF84332	ACTUATOR, 36VDC	1	\$484.25
13	VF84310	BRACKET, ACTUATOR	1	\$21.00
14	VF84322	PIN, M9.5 X 37	1	\$1.25
15	VF14084	PIN, COTTER, M3.2 X 24	1	\$1.13
16	VF84337	ADJUST NUT	1	\$4.50
17	VF84121	ARM, LIFT, RIGHT	1	\$13.38
18	VF14057A	NUT, M12	1	\$1.13
19	VF84338	ADJUST SCREW	1	\$5.38

PARTS LIST

FANG 32T - SCRUB HEAD ASSEMBLY



FANG 32T - SCRUB HEAD ASSEMBLY

DIA NO	PART NUMBER	DESCRIPTION	NO REQ'D
1	VF84315	BRACKET, SPRING	1
2	VF13615	WASHER, PLAIN, M13 X M30 X 2	4
3	VF84312	SLEEVE	2
4	VF84313	SPRING	2
5	ZD11000	BRUSH, MOTOR, 36VDC, 1HP	2
	ZD45407	KEY, 6.35 X 25	2
6	VF84311	BOLT, SHOULDER, 1/4" X 4.25" X 3/8"	2
7	VF84335	BRACKET, BRUSH LIFT	1
8	VF84314	SPRING	2
9	VF84304	BRACKET, SPRING MOUNT	1
10	VA13491	SCREW, M8 X 25	9
11	VF84305A	BRACKET, LIFT, RIGHT	1
12	VF82161	CLAMP, (16-25)	1
13	VF84333	TUBING, 145mm	1
14	VF82040	HOSE BARB, TEE	1
15	VF84334	TUBING, 135mm	1
16	VF84345	TUBING, 125mm	1
17	VF84346	TUBING, 275mm	1
18	VF84303	BRACKET, LIFT, LEFT	1
19	VV20509	SCREW, M5 X 10	4
20	VF84325	DOOR, SCRUB HEAD	2
21	VF82042	ELBOW	2
22	VF82148	CLAMP, 16mm	7
23	VF82138	TUBING, 75mm	1
24	VF14052	HOSE BARB	2
25	VF84302	COVER, SCRUB HEAD	1
26	VF84323	SKIRT, SCRUB HEAD	1
27	VF14310	SCREW, M5 X 70	1
28	VF84324	CLAMP, SKIRT	1
29	VF13542	WASHER, PLAIN, M8 X M20 X 2	9
30	GT13022	NUT, LOCK, M5	1
31	VF13503	NUT, LOCK, M8	8
32	VF13537	WASHER, PLAIN, M10 X M26 X 2	8
33	VV13620	WASHER, LOCK, 3/8"	8
34	VF14242	SCREW, 3/8"-1"	10
35	VF13545	SCREW, SELF-TAPPING, ST, M5 X 10	8
36	VV13601	WASHER, LOCK, M5	8
37	VF83134	STOP, DRIVE RELEASE	2
38	VF83130	PLATE, DRIVE	2
39	VF83130A	PLATE, DRIVE, ASSY	1
40	VF82058	WASHER	2
41	VV20298	WASHER, LOCK, 5/16"	2

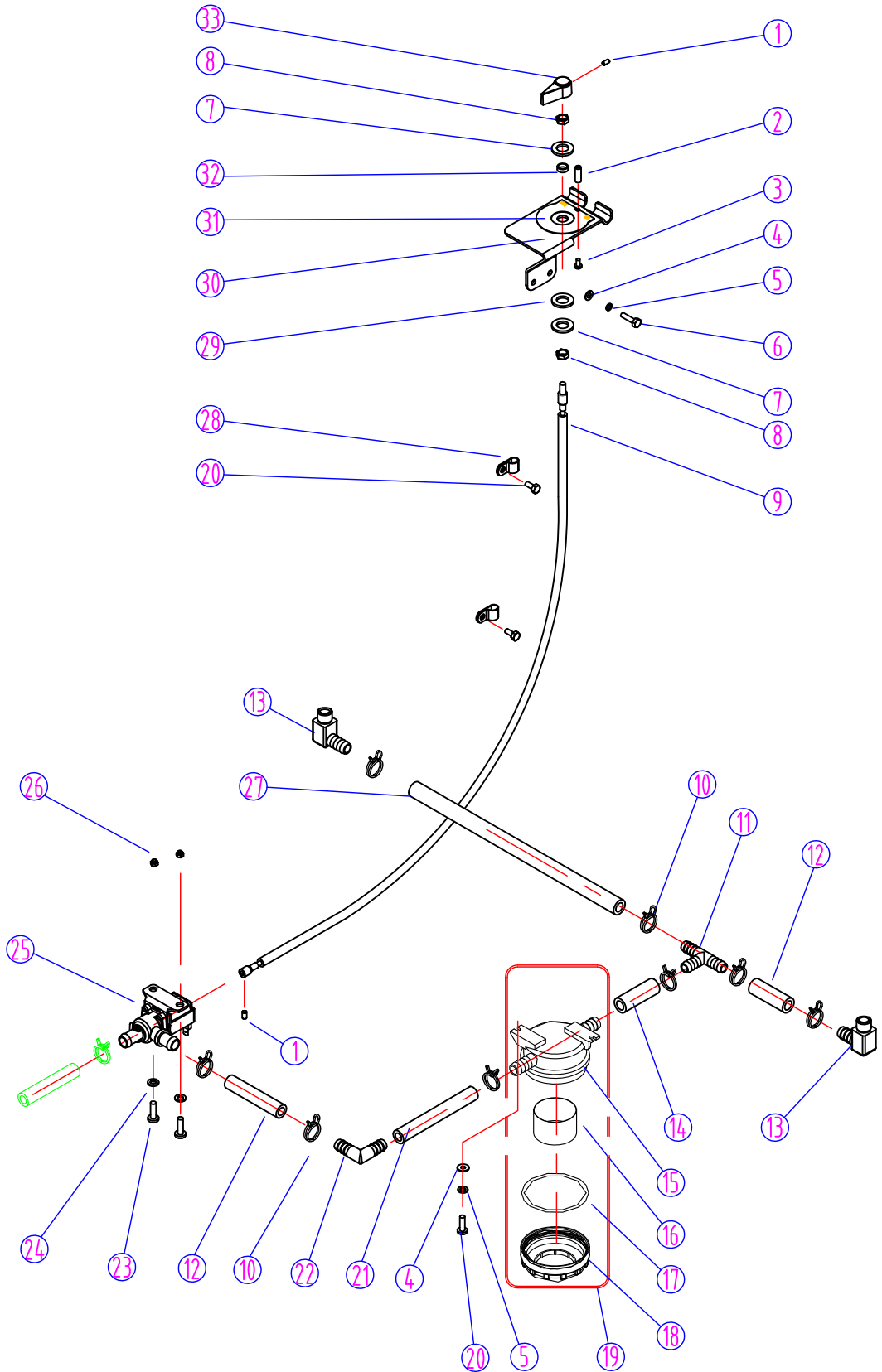
42	VF14241	SCREW, 5/16" - 1"	2
43	VF84329	PAD DRIVE, 15"	2
44	VA13484	SCREW, SELF-TAPPING, ST, M4 X 12	6
45	VF99003A	BIG MOUTH	2
46	MF-VF002-4A	SCREW, SELF-TAPPING, 1/4" - 1"	6
47	VF83118	SPACER	2
48	VF83132	SPRING	2
49	VF83131	CLAMP, BRUSH PLATE	2
50	VF13502	NUT, LOCK, M6	6
51	VF83133	STUD	6
52	VF14225A	SCREW, M6 X 40	6
53	VF84134	PUSH SCREW	4
54	VF82013	WHEEL, 3"	2
55	VF82055	BUSHING	2
56	VF13514A	WASHER, PLAIN, M8 X M16.5 X 1	2
57	VF14236	SCREW, M8 X 40	4
58	VF84104	COVER, FRONT	1
59	VF84326	NUT, LOCK, 3/8"	2

FANG 32T - SCRUB HEAD ASSEMBLY - LIST PRICE

DIA NO	PART NUMBER	DESCRIPTION	NO REQ'D	LIST \$ (ea)
1	VF84315	BRACKET, SPRING	1	\$7.00
2	VF13615	WASHER, PLAIN, M13 X M30 X 2	4	\$1.88
3	VF84312	SLEEVE	2	\$1.75
4	VF84313	SPRING	2	\$1.38
5	ZD11000	BRUSH, MOTOR, 36VDC, 1HP	2	\$462.50
	ZD45407	KEY, 6.35 X 25	2	\$4.75
6	VF84311	BOLT, SHOULDER, 1/4" X 4.25" X 3/8"	2	\$2.75
7	VF84335	BRACKET, BRUSH LIFT	1	\$38.25
8	VF84314	SPRING	2	\$1.38
9	VF84304	BRACKET, SPRING MOUNT	1	\$14.88
10	VA13491	SCREW, M8 X 25	9	\$1.13
11	VF84305A	BRACKET, LIFT, RIGHT	1	\$11.50
12	VF82161	CLAMP, (16-25)	1	\$1.75
13	VF84333	TUBING, 145mm	1	\$3.38
14	VF82040	HOSE BARB, TEE	1	\$3.00
15	VF84334	TUBING, 135mm	1	\$3.25
16	VF84345	TUBING, 125mm	1	\$3.25
17	VF84346	TUBING, 275mm	1	\$3.88
18	VF84303	BRACKET, LIFT, LEFT	1	\$11.50
19	VV20509	SCREW, M5 X 10	4	\$1.13
20	VF84325	DOOR, SCRUB HEAD	2	\$5.25
21	VF82042	ELBOW	2	\$2.13
22	VF82148	CLAMP, 16mm	7	\$1.25
23	VF82138	TUBING, 75mm	1	\$2.50
24	VF14052	HOSE BARB	2	\$1.38
25	VF84302	COVER, SCRUB HEAD	1	\$463.63
26	VF84323	SKIRT, SCRUB HEAD	1	\$39.38
27	VF14310	SCREW, M5 X 70	1	\$1.25
28	VF84324	CLAMP, SKIRT	1	\$13.38
29	VF13542	WASHER, PLAIN, M8 X M20 X 2	9	\$1.38
30	GT13022	NUT, LOCK, M5	1	\$1.13
31	VF13503	NUT, LOCK, M8	8	\$1.13
32	VF13537	WASHER, PLAIN, M10 X M26 X 2	8	\$1.25
33	VV13620	WASHER, LOCK, 3/8"	8	\$1.38
34	VF14242	SCREW, 3/8"-1"	10	\$4.25
35	VF13545	SCREW, SELF-TAPPING, ST, M5 X 10	8	\$1.13
36	VV13601	WASHER, LOCK, M5	8	\$1.13
37	VF83134	STOP, DRIVE RELEASE	2	\$4.25
38	VF83130	PLATE, DRIVE	2	\$18.00
39	VF83130A	PLATE, DRIVE, ASSY	1	\$31.25

40	VF82058	WASHER	2		\$2.13
41	VV20298	WASHER, LOCK, 5/16"	2		\$1.13
42	VF14241	SCREW, 5/16" - 1"	2		\$3.38
43	VF84329	PAD DRIVER, 15"	2		\$63.25
44	VA13484	SCREW, SELF-TAPPING, ST, M4 X 12	6		\$1.13
45	VF99003A	BIG MOUTH	2		\$9.75
46	MF-VF002-4A	SCREW, SELF-TAPPING, 1/4" - 1"	6		\$1.88
47	VF83118	SPACER	2		\$8.13
48	VF83132	SPRING	2		\$3.38
49	VF83131	CLAMP, BRUSH PLATE	2		\$1.13
50	VF13502	NUT, LOCK, M6	6		\$1.13
51	VF83133	STUD	6		\$4.25
52	VF14225A	SCREW, M6 X 40	6		\$1.13
53	VF84134	PUSH SCREW	4		\$1.13
54	VF82013	WHEEL, 3"	2		\$12.38
55	VF82055	BUSHING	2		\$3.38
56	VF13514A	WASHER, PLAIN, M8 X M16.5 X 1	2		\$1.13
57	VF14236	SCREW, M8 X 40	4		\$1.88
58	VF84104	COVER, FRONT	1		\$62.25
59	VF84326	NUT, LOCK, 3/8"	2		\$1.38

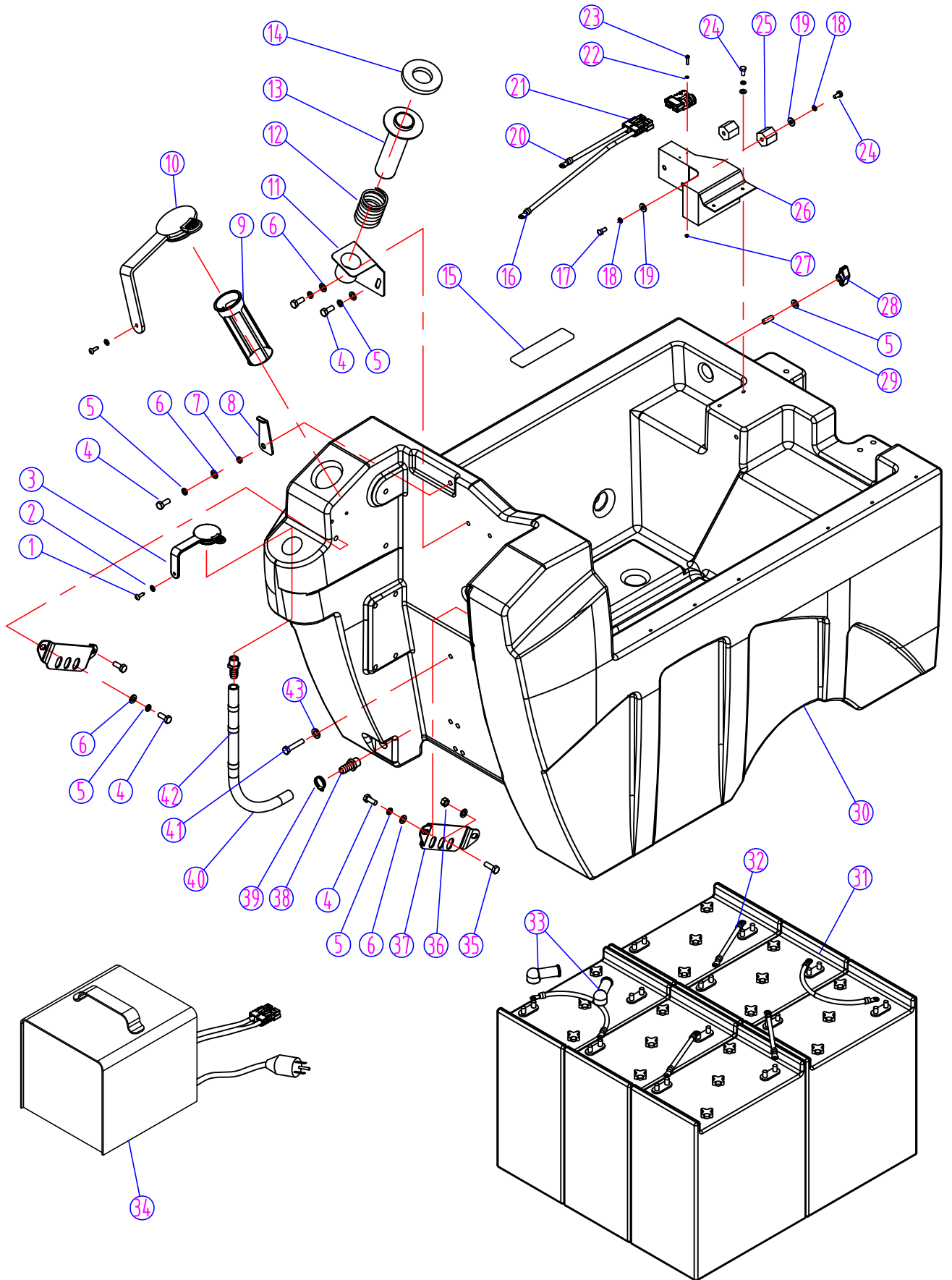
FANG 32T - SOLUTION CONTROL ASSEMBLY



FANG 32T - SOLUTION CONTROL ASSEMBLY - LIST PRICE

DIA NO	PART NUMBER	DESCRIPTION	NO REQ'D	LIST \$ (ea)
1	VF14245	SCREW, M5 X 6	2	\$1.13
2	VF82036	SHAFT	1	\$2.00
3	VV13650	SCREW, M4 X 10	1	\$1.13
4	VF13532	WASHER, PLAIN, M5	4	\$1.13
5	VV13601	WASHER, LOCK, M5	4	\$1.13
6	VF14230	SCREW, M5 X 15	2	\$1.13
7	VF13536	WASHER, PLAIN, M9.8 X M16 X 1	2	\$1.13
8	VF82075	NUT, 3/8"	2	\$1.13
9	VF84123	CABLE, SOLENOID	1	\$15.38
10	VF82148	CLAMP, 16mm	10	\$1.25
11	VF82040	HOSE BARB, TEE	1	\$3.00
12	VF84333	TUBING, 145mm	2	\$3.38
13	VF81403A	ELBOW, SOLUTION TANK	2	\$13.63
14	VF82138	TUBING, 75mm	1	\$2.50
15	VF80112	SEAT, FILTER	1	\$19.88
16	VF80113	SCREEN, FILTER	1	\$5.38
17	VF82139	"O"RING, M2.65 X M64.8	1	\$3.13
18	VF80111	COVER, FILTER	1	\$12.38
19	VF80111A	KIT, FILTER	1	\$41.88
20	VV20509	SCREW, M5 X 10	5	\$1.13
21	VF84347	TUBING, 210mm	1	\$3.63
22	VF82042	ELBOW	1	\$2.13
23	VF13495	SCREW, M6 X 16	4	\$1.13
24	VF13533	WASHER, PLAIN, M6 X M16 X 2	4	\$1.13
25	VF84120	SOLUTION VALVE SOLENOID, 36VDC	1	\$29.50
26	VF13502	NUT, LOCK, M6	2	\$1.13
27	VF84348	TUBING, 350mm	1	\$4.00
28	VF81118	CLAMP	2	\$1.38
29	VF13540	WASHER, WAVE, M12	1	\$1.13
30	VF82037	BRACKET, DRAIN HOSE & VALVE	1	\$13.38
31	VF82069	LABEL, VALVE	1	\$2.50
32	VF82074	BUSHING	1	\$1.25
33	VF82038	KNOB, VALVE ADJUST	1	\$4.50

FAN32T - SOLUTION TANK ASSEMBLY

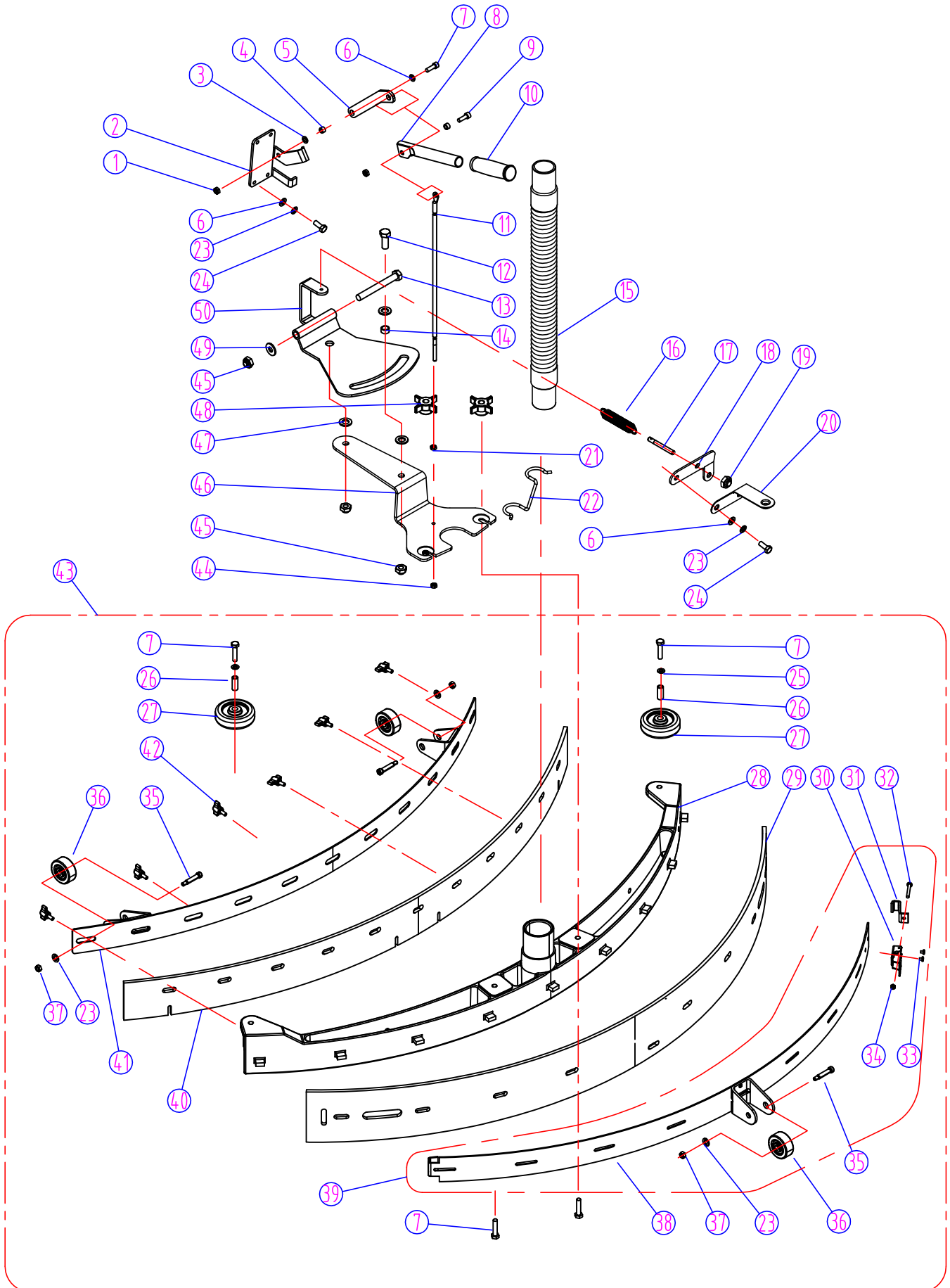


FANG 32T - SOLUTION TANK ASSEMBLY - LIST PRICE

DIA NO	PART NUMBER	DESCRIPTION	NO REQ'D	LIST \$ (ea)
1	VA13477	SCREW, SELF-TAPPING, ST, M4 X 16	4	\$1.13
2	VV13664	WASHER, PLAIN, M4 X M12 X 1	2	\$1.13
3	VF82154	EXPANSION PLUG	1	\$4.25
4	VV13604	SCREW, M8 X 20	8	\$1.50
5	VF13519	WASHER, LOCK, M8	12	\$1.13
6	VF13535	WASHER, PLAIN, M8 X M20 X 2	8	\$1.50
7	VF81406	BUSHING	1	\$1.25
8	VF81404	SUPPORT, RECOVERY TANK	1	\$3.88
9	VF46454	FILTER, INTAKE TANK	1	\$18.63
10	VF84340	PLUG,EXPANSION	1	\$2.38
11	VF82029	BRACKET, VAC TUBE	1	\$18.00
12	VF82032	SPRING	1	\$7.00
13	VF82030	ADAPTER, TUBE	1	\$21.38
14	VF82031	GASKET, TUBE ADAPTER	1	\$2.50
15	VF82123	DECAL	1	\$2.00
16	VF82401	WIRE, #6 X 600	1	\$6.25
17	VF14232	SCREW, M6 X 10	2	\$1.25
18	VV13607	WASHER, LOCK, M6	8	\$1.13
19	GT13032	WASHER, PLAIN, M6 X M16 X 1.5	6	\$1.13
20	VF82402	WIRE, #6 X 600	1	\$6.25
21	VF81723G	CONNECTOR, GREY, 50A	2	\$14.75
22	VF13511	WASHER, TOOTH, M3	2	\$1.13
23	VF14244	SCREW, M3 X 20	2	\$1.13
24	VF13495	SCREW, M6 X 16	4	\$1.13
25	VF81715	STANDOFF	2	\$2.38
26	VF84109	BRACKET	1	\$7.88
27	VV13652	NUT, LOCK, M3	2	\$1.13
28	VF84110	KNOB, M8	4	\$4.13
29	VF84111	SCREW, M8 X 35	4	\$1.13
30	VF84101	SOLUTION TANK	1	\$880.88
31	VF84127	BATTERY, 6V, 305AMP HOUR	6	CALL
32	VF84132	CABLE, BATTERY	1	\$15.88
33	VF81724	CAP, BATTERY, BLACK	2	\$2.63
	VF81724R	CAP, BATTERY, RED	2	\$2.63
34	VF84128	CHARGER, 36V, 30AMP	1	\$872.50
35	VF14234	SCREW, M8 X 16	2	\$1.50
36	VF13513	NUT, M8	2	\$1.13
37	VF81408	PLATE, LOCK	2	\$17.38
38	VF81416	HOSE BARB	2	\$10.50
39	VF82161	CLAMP (16-25)	1	\$1.75
40	VF84126	TUBING	1	\$4.88
41	VF14248	SCREW, M8 X 100	1	\$3.13
42	VF84129A	KIT, LABEL, MARKERS	1	\$3.38
43	VA13516	WASHER, PLAIN, M10 X M30 X 1.5	1	\$1.13

PARTS LIST

FANG 32T - SQUEEGEE AND SQUEEGEE LIFT ASSEMBLY



FANG 32T - SQUEEGEE AND SQUEEGEE LIFT ASSEMBLY - LIST PRICE

DIA NO	PART NUMBER	DESCRIPTION	NO REQ'D	LIST \$ (ea)
1	VF13503	NUT, LOCK, M8	2	\$1.13
2	VF84220	BRACKET, SQUEEGEE LIFT	1	\$11.50
3	VF13514	WASHER, PLAIN, M8 X M16.5 X 1.5	1	\$1.13
4	VF84222	BUSHING	2	\$1.25
5	VF84218	ARM, SQUEEGEE LIFT	1	\$8.00
6	VF13535	WASHER, PLAIN, M8 X M20 X 2	6	\$1.50
7	VF14236	SCREW, M8 X 40	5	\$1.88
8	VF84217	HANDLE, LIFT	1	\$9.63
9	VF14067	SCREW, M8 X 25	1	\$1.13
10	VF48310	GRIP, HANDLE	1	\$10.88
11	VF84219	CABLE, SQUEEGEE, LIFT	1	\$9.63
12	VF14238	SCREW, M12 X 30	2	\$4.75
13	VF13637	SCREW, M12 X 130	1	\$5.38
14	VF82016A	BUSHING	2	\$1.50
15	VF84223	HOSE	1	\$14.75
16	VF83144	SPRING	1	\$11.63
17	VF82047	SHAFT	1	\$2.63
18	VF83125	BRACKET, SPRING	1	\$8.63
19	VF13513	NUT, M8	1	\$1.13
20	VF84221	BRACKET, CABLE GUIDE		\$3.50
21	VF13521	NUT, M6	1	\$1.13
22	VF83150	HOLDER, "U" HOSE	1	\$7.75
23	VF13519	WASHER, LOCK, M8	4	\$1.13
24	VV13604	SCREW, M8 X 20	4	\$1.50
25	VF13514A	WASHER, PLAIN, M8 X M16.5 X 1	2	\$1.13
26	VF82055	BUSHING	2	\$3.38
27	VF82013	WHEEL, 3"	2	\$12.38
28	VF84202	HOUSING, SQUEEGEE (FANG 32T)	1	\$149.75
29	VF84208	BLADE, SQUEEGEE, REAR (PU / BLUE) (FANG 32T)	1	\$61.00
30	VF81218	LATCH, HOOD	1	\$9.75
31	VF81209	HOOK, REAR SQUEEGEE BACKUP ADJUSTMENT	1	\$3.75
32	VF14310	SCREW, M5 X 70	1	\$1.25
33	VF81208	RIVET, M4 X 5	2	\$1.13
34	GT13022	NUT, LOCK, M5	1	\$1.13
35	VF81222	BOLT, SHOULDER, 5/16" X 1.25"	3	\$10.50
36	VF81219	WHEEL, 2"	3	\$7.75
37	VV20203	NUT, LOCK, 5/16"	3	\$1.25
38	VF84206	BACKUP STRIP, SQUEEGEE, REAR (FANG 32T)	1	\$18.63
39	VF84206A	KIT, BACKUP STRIP, SQUEEGEE	1	\$66.50
40	VF84207	BLADE, SQUEEGEE, FRONT (PU / BLUE) (FANG 32T)	1	\$48.25
41	VF84205	BACKUP STRIP, SQUEEGEE, FRONT (FANG 32T)	1	\$19.38
42	VF82121	KNOB, M6	6	\$4.50
43	VF84200	SQUEEGEE ASSEMBY (FANG 32T)	1	\$338.75
44	VF13502	NUT, LOCK, M6	1	\$1.13
45	VF13501	NUT, LOCK, M12	3	\$1.25
46	VF84204	BRACKET, SQUEEGEE, MOUNT	1	\$53.63
47	VF13539	WASHER, PLAIN, M12 X M32 X 2	4	\$1.38
48	VF81210	KNOB, M8	2	\$9.75
49	VF13538	WASHER, PLAIN, M12 X M26 X 2	1	\$1.88
50	VF84214	MOUNT, PIVOT	1	\$49.63

WIRING DIAGRAM FOR FANG32T

