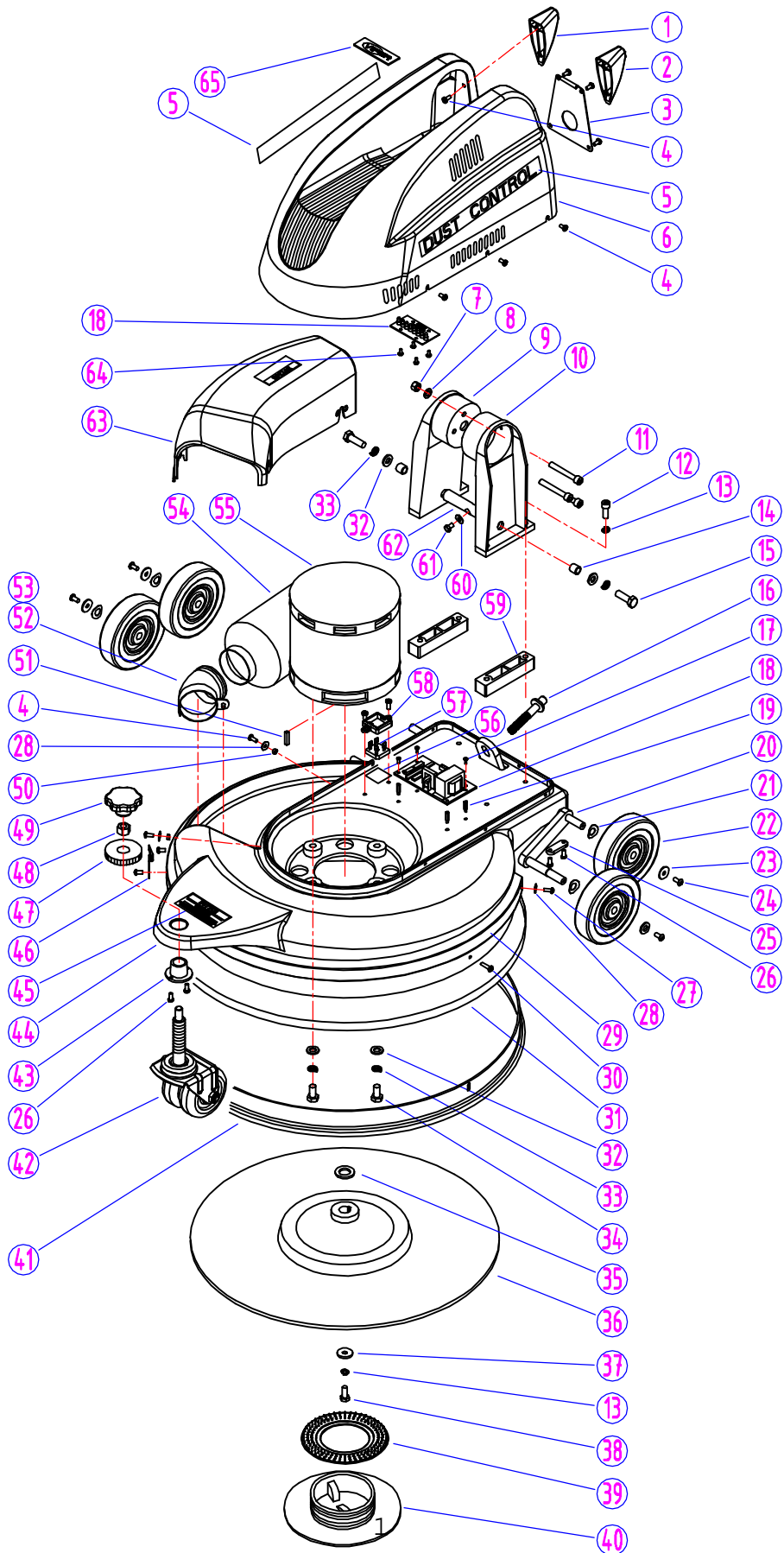


PARTS LIST

BASE GROUP FOR DR2000DC



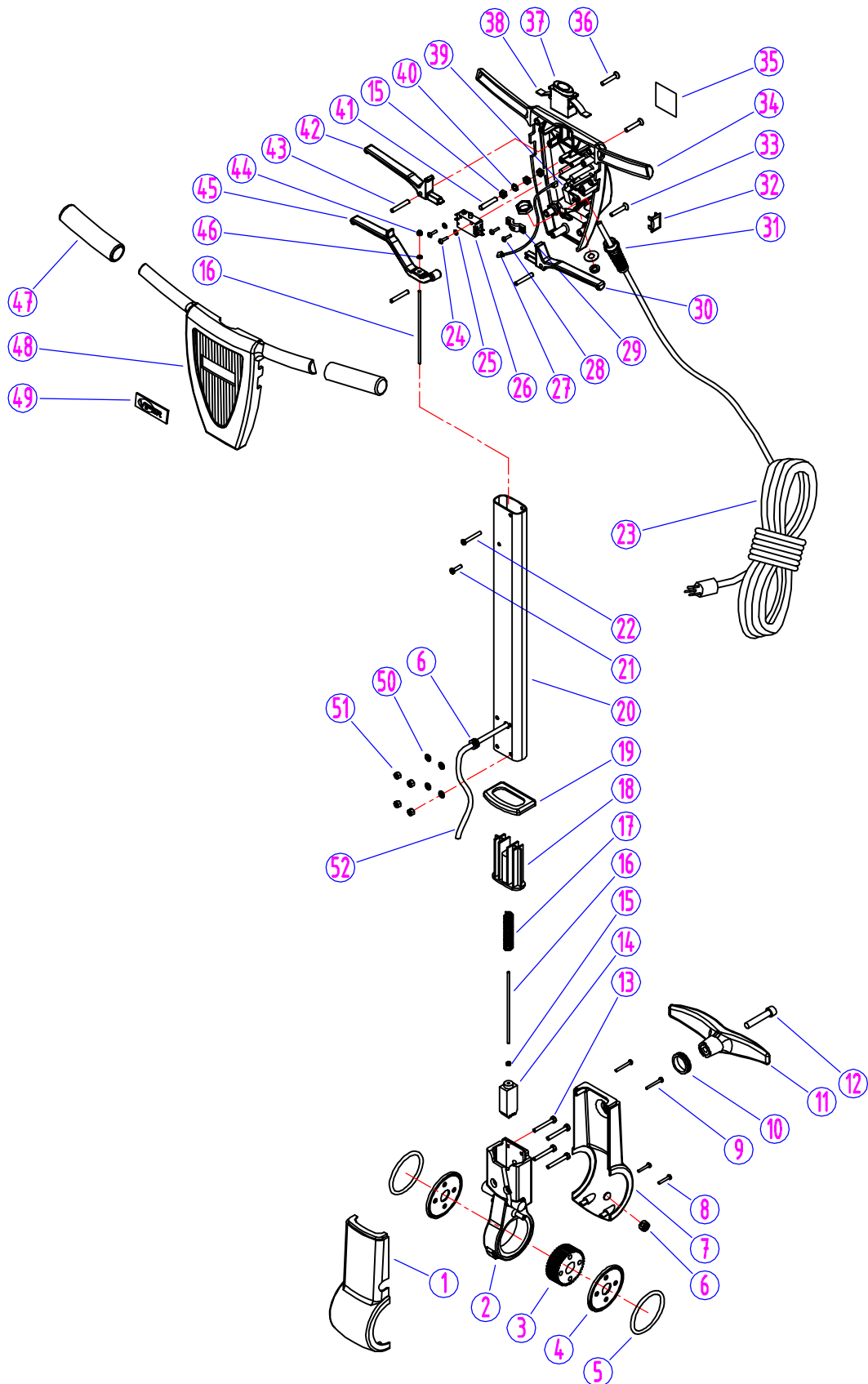
DR2000DC - BASE ASSEMBLY - LIST PRICE

DIA NO	PART NUMBER	DESCRIPTION	NO REQ'D	LIST \$ (ea)
1	VF52114	PLASTIC STAND, RIGHT	1	\$2.75
2	VF52115	PLASTIC STAND, LEFT	1	\$2.75
3	VF54048	CONNECTOR, MOTOR COVER	1	\$8.88
4	VV20509	SCREW, PH, M5 x 10	17	\$1.13
5	VF54017	LABEL	2	\$4.88
6	VF54047	COVER, MOTOR	1	\$53.88
7	VF13503	NUT, NYLON INSERT, M8	3	\$1.13
8	VF13524	WASHER, PLAIN	3	\$1.13
9	VF54020	RIGHT ARM	1	\$24.63
10	VF54019	LEFT ARM	1	\$24.63
11	GT13016	SCREW, HEX SOCKET, M8 x 60	3	\$1.13
12	VA13480	SCREW, HEX SOCKET, M8 x 40	4	\$1.25
13	VF13519	WASHER, LOCK, M8	5	\$1.13
14	VF54009	BUSHING	2	\$2.75
15	VF14007	HEX SCREW, M10 x 32	2	\$1.13
16	VF54010	ADJUSTMENT SCREW	1	\$11.38
17	VF14078	SCREW, PH, M3 x 10	4	\$1.25
18	ZW42540A	LED DISPLAY PANEL	1	\$58.00
19	VF54046	RISING SCREW	4	\$1.13
20	VF54004	WHEEL BRACKET	1	\$18.38
21	VF50119	WAVE WASHER, M12	4	\$1.13
22	VF52017	WHEEL, 5"	4	\$18.50
23	VF13666	WASHER, PLAIN, M12	4	\$1.13
24	VF44012	SCREW, M5 x 12.7	4	\$1.13
25	VF54005	RETAINER PLATE, AXLE	2	\$6.50
26	VV13621	SCREW, ST, 5 x 20	6	\$1.13
27	VA13474	SCREW, PH, M5 x 16	2	\$1.13
28	VF13474A	WASHER, PLAIN, M5 x 16	4	\$1.13
29	VF54015	BUMPER	1	\$12.75
30	VA14010	SCREW, PH, M5 x 20	2	\$1.13
31	VF54016	CLAMP, SKIRT	1	\$14.13
32	VF13517	WASHER, PLAIN, M10	6	\$1.13
33	VF13518	WASHER, LOCK, M10	6	\$1.13
34	GT13097	SCREW, HEX, 3/8 x 16 x 1.25	4	\$1.13
35	VF52008	SPACER	1	\$1.50
36	VF99024	PAD HOLDER, 20"	1	\$136.13
37	VF52021	WASHER, PLAIN	1	\$1.25
38	GT13018	SCREW, HEX, M8 x 30	1	\$1.13
39	VF54027	LOCK WASHER, BIG MOUTH	1	\$3.38

DR2000DC - BASE ASSEMBLY - LIST PRICE

DIA NO	PART NUMBER	DESCRIPTION	NO REQ'D	LIST \$ (ea)
40	VF99003A	BIG MOUTH	1	\$9.75
41	VF54006	FLEXIBLE SKIRT	1	\$17.75
42	VF54011	CASTER, DUAL SWIVEL	1	\$24.00
43	VF54028	SCREW BUSHING, HOUSING	1	\$4.00
44	VF54001A	HOUSING	1	\$267.38
45	VF54032	ADJUSTMENT DECAL	1	\$2.88
46	VF54036	HOOK, COVER, DUST BAG	1	\$2.38
47	VF50108	NUT	1	\$8.00
48	VF14081	NUT, M12	1	\$10.00
49	VF50103A	ADJUSTING KNOB, CASTER	1	\$8.13
50	VF54021	SPACER	2	\$2.13
51	ZD40205	KEY, MOTOR SHAFT	1	\$1.63
52	VF54007	ELBOW ADAPTOR	1	\$5.13
53	VF13022	SCREW, PH, M4 x 12	2	\$1.13
54	VF54003	DUST COLLECTOR BAG	1	\$12.25
55	ZD40B	MOTOR, 120V	1	\$487.50
56	VF52022	THERMAL CONDUCTION GASKET	1	\$1.25
57	VF44204	RECTIFIER	1	\$28.38
58	VF52023	COVER, RECTIFIER	1	\$1.75
59	VF54040	RISER, ARM	2	\$4.00
60	GT13032	WASHER, PLAIN, M6 x 16	1	\$1.13
61	VF14232	SCREW, HEX, M6 x 10	1	\$1.25
62	VF54008	PIVOT BLOCK, ADJUSTOR	1	\$5.88
63	VF54014	COVER, DUST BAG	1	\$9.50
64	VF13544	SCREW, ST4 x 10	4	\$1.13
65	VF47035A	"VIPER" LOGO	1	\$5.50

HANDLE GROUP FOR DR2000DC



DR2000DC - HANDLE ASSEMBLY - LIST PRICE

DIA NO	PART NUMBER	DESCRIPTION	NO REQ'D	LIST \$ (ea)
1	VF47009	FRONT COVER, GEAR SEAT	1	\$7.75
2	VF54037	GEAR SEAT	1	\$41.75
3	VF40171	GEAR & LEVELING INSERT KIT	1	\$25.63
4	GV40227	WASHER, NYLON	2	\$1.13
5	GV40228	"O" RING, GEAR SEAT	2	\$1.13
6	VF50120	GROMMET	2	\$1.13
7	VF47015	REAR COVER, GEAR SEAT	1	\$7.75
8	VF14080	SCREW, ST, SELF TAPPING, 4 x 25	2	\$1.13
9	VF14087	SCREW, ST, SELF TAPPING, 4 x 35	2	\$1.13
10	VF47046	SEAL RING	1	\$1.13
11	VF47045A	HOOK, CABLE	1	\$17.38
12	VF13616	SCREW, HEX SOCKET, M10 x 55	1	\$1.13
13	GT13019	SCREW, HEX, M6 x 40	4	\$1.13
14	VF40171	GEAR & LEVELING INSERT KIT	1	\$25.63
15	GT13013	NUT, M4	4	\$1.13
16	VF47103	LEVELING ROD	1	\$4.75
17	VF47007	SPRING, LEVELING	1	\$2.13
18	VF47033	RETAINER	1	\$2.13
19	VF47008	SEAL, TUBE	1	\$2.13
20	VF47102	TUBE	1	\$37.13
21	VA13474	SCREW, PH, M5 x 16	1	\$1.13
22	VA13476	SCREW, PH, M5 x 40	1	\$1.13
23	VF45119	CORD, POWER SUPPLY, STOW 14/3C	1	\$71.50
24	VF14212	SCREW, PH, M3 x 25	2	\$1.13
25	VF13511	WASHER, LOCK, INTERNAL TOOTH	2	\$1.13
26	VF44203	SWITCH ASSY, 20A, 250V	1	\$23.50
27	VF45124	JUMP WIRE	1	\$1.13
28	VV13650	SCREW, PH, M4 x 10	2	\$1.13
29	VF48309	BLOCK, HANDLE CABLE	1	\$2.63
30	VF46703	OPERATING TRIGGER, LEFT	1	\$11.63
31	AS22009	STRAIN RELIEF, CORD	1	\$13.00
32	VF52107	COVER, SOLUTION LEVER	1	\$1.13
33	VF14226	SCREW, FH, M6 x 35	2	\$1.13
34	VF52118	REAR COVER, SWITCH HOUSING	1	\$71.00
35	VF54029	DECAL, DRY BURNISH	1	\$2.25
36	VF14218	SCREW, PH, M6 x 40	2	\$1.13
37	VF46705	SAFETY BLOCK	1	\$5.25
38	GV40218	SPRING, SAFETY BLOCK	1	\$1.50
39	VF99010C	CIRCUIT BREAKER, 17A	1	\$10.88

DR2000DC - HANDLE ASSEMBLY - LIST PRICE

DIA NO	PART NUMBER	DESCRIPTION	NO REQ'D	LIST \$ (ea)
40	VF13527	EXTERNAL TOOTH, WASHER, M4	1	\$1.13
41	VF13526	SCREW, HOLDING, M4 x 30	1	\$1.13
42	VF46704	OPERATING TRIGGER, RIGHT	1	\$11.63
43	VF48306	PIN, LEVER	3	\$1.50
44	GT13014	NUT, M4, NYLON INSERT	1	\$1.13
45	VF46707	TRIGGER, HANDLE ADJUSTMENT	1	\$13.00
46	GT13017	WASHER, BIG, PLAIN, M4 x 16	1	\$1.13
47	VF46706	HANDLE GRIP	2	\$11.63
48	VF46701	FRONT COVER, SWITCH HOUSING	1	\$67.00
49	VF47035A	"VIPER" LOGO	1	\$5.50
50	VF13600	WASHER, PLAIN, M6	4	\$1.13
51	VF13502	NUT, NYLON INSERT, M6	4	\$1.13
52	VF45120	CABLE, HANDLE, SJTW 14/3C	1	\$6.25