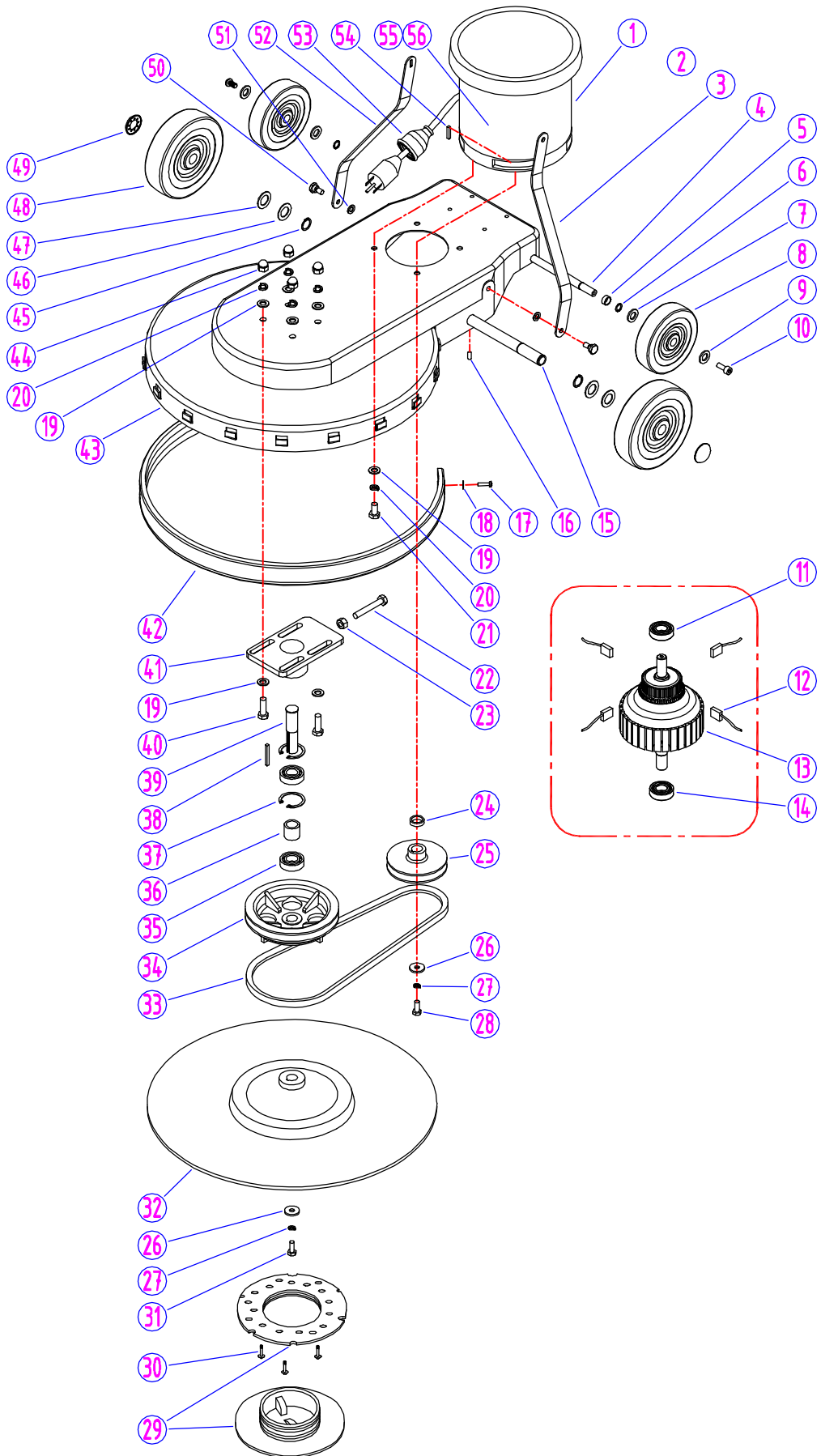


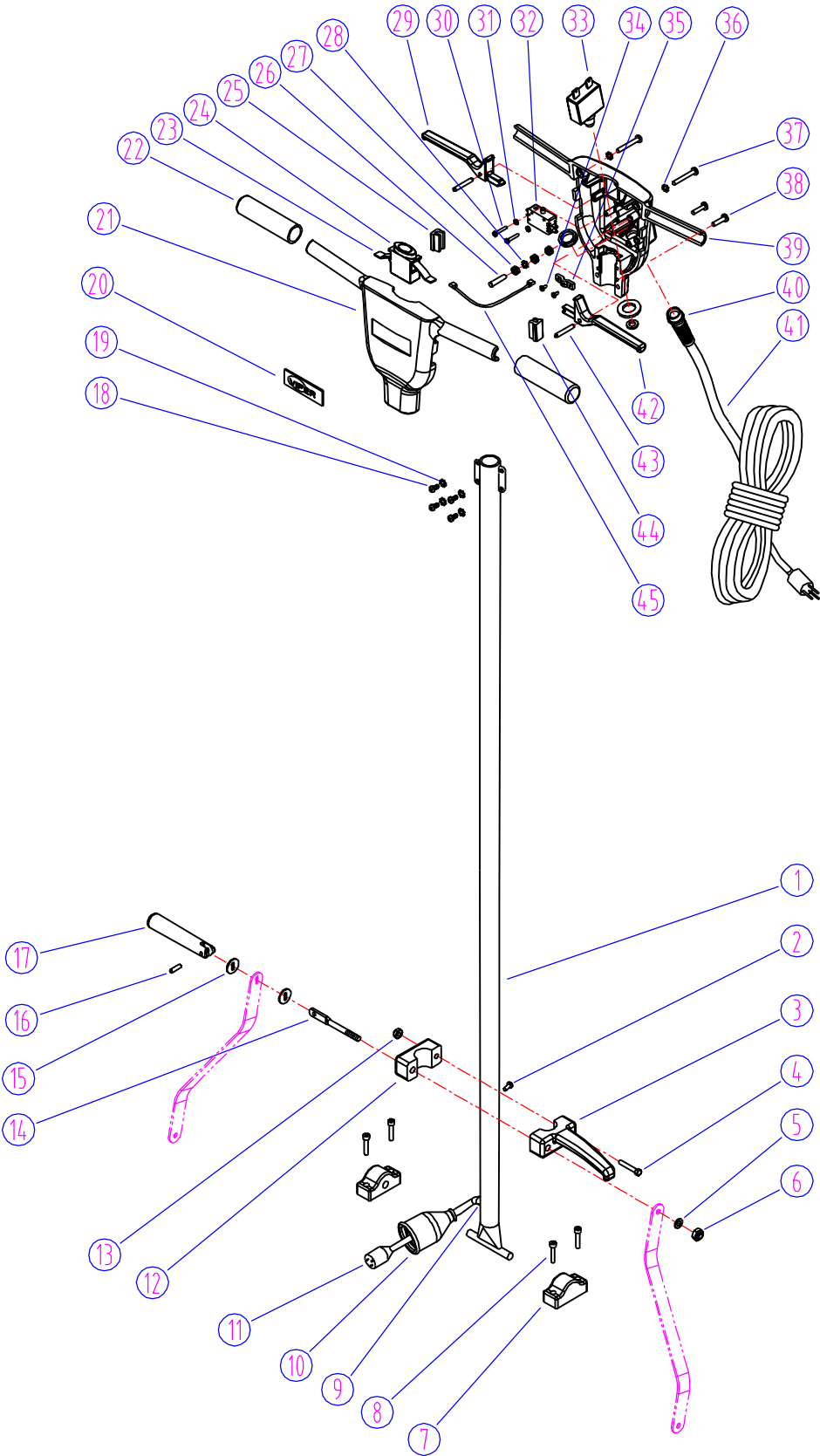
BASE GROUP FOR VN1500



BASE ASSEMBLY - VN1500

DIA NO	PART NUMBER	DESCRIPTION	NO REQ'D	LIST \$ (ea)
1	ZD41000C	MOTOR, 120V	1	\$599.50
2	VF44204	RECTIFIER	1	\$28.38
3	VF53112	BRACKET, LEFT (New Release Mechanism Serial # 301+)	1	\$21.00
	AS1212A03	BRACKET, LEFT (Original Release Mechanism)	1	\$21.00
4	VF53104	AXLE, TRANSPORT	1	\$7.00
5	VF53106	SPACER, WHEEL, TRANSPORT	1	\$1.13
6	VF13520	RETAINING RING, EXTERNAL, M12	2	\$1.13
7	VF50119	WASHER, WAVE, M12	2	\$1.13
8	VF48202	WHEEL, 5"	2	\$22.00
9	VF13666	WASHER, PLAIN, M12	2	\$1.13
10	VF44012	SCREW, M5 x 12.7	2	\$1.13
11	ZD40225	BEARING, 6203Z	1	\$24.63
12	VF99926-2	CARBON BRUSH (SET OF 4)	1	\$40.50
13	ZD41200A	SHAFT & ROTOR ASSY	1	\$213.25
14	ZD40226	BEARING, 6004Z	1	\$23.75
15	VF53103	FRONT AXLE	1	\$9.00
16	VF13525	SCREW, FLAT, M6 X 8	2	\$1.13
17	VA13474	SCREW, PH, M5 x 16	2	\$1.13
18	VA13474A	WASHER, PLAIN, M5 x M16	2	\$1.13
19	VF13517	WASHER, PLAIN, M10	12	\$1.13
20	VF13518	WASHER, LOCK, M10	8	\$1.13
21	VF13497	SCREW, HEX HEAD, 16G, 3/8"	4	\$1.13
22	VF14002	SCREW, HEX HEAD, M10 x 65	1	\$1.13
23	VF14005	NUT, M10, HEX	1	\$1.13
24	VF52008	SPACER, DRIVING PULLEY	1	\$1.50
25	VF52009E	DRIVING PULLEY	1	\$52.88
26	VF52021	WASHER, PLAIN, M8 x M30 x 5	2	\$1.25
27	VF13519	WASHER, LOCK, M8	2	\$1.13
28	VF14008	SCREW, 18G, 5/16", HEX	1	\$1.13
29	VF99003A	BIG MOUTH	1	\$9.75
30	VA13484	SCREW, PAN HEAD, M4 x 12	3	\$1.13
31	GT13018	SCREW, M8 x 30	1	\$1.13
32	VF99024D	PAD HOLDER	1	\$136.13
33	VF14079B	BELT, 38"	1	\$35.63
34	VF52004A	DRIVEN PULLEY	1	\$49.50
35	VF14075	BEARING, 6004 2RS	2	\$19.75
36	VF52006	SPACER, BEARING	1	\$1.13
37	VF14003	RETAINING RING, INTERNAL, M42	2	\$1.13
38	VF52001	KEY, DRIVEN SHAFT	1	\$2.13
39	VF52005	DRIVEN SHAFT	1	\$7.00
40	VF14007	SCREW, HEX, M10 x 32	4	\$1.13
41	VF52007	MOUNTING PLATE, DRIVEN SHAFT	1	\$15.75
42	AS321203	BUMPER, FRAME	1	\$17.75
43	VF53101	FRAME	1	\$216.50
44	VF14059	CAP NUT, M10	4	\$1.13
45	VF14004	RETAINING RING, EXTERNAL, M19	2	\$1.13
46	VF50123	WASHER, M19	2	\$1.13
47	VF47027	WASHER, WAVE, M19	2	\$1.13
48	VF47055	WHEEL, 160MM	2	\$20.63
49	VA96851	CAP, FRONT AXLE	2	\$1.38
50	VF53107	SCREW, HEX, BRACKET	2	\$2.13
51	VF13514	WASHER, PLAIN, M8 x M16	2	\$1.13
52	VF53113	BRACKET, RIGHT (New Release Mechanism Serial # 301+)	1	\$21.00
	AS1212A07	BRACKET, RIGHT (Original Release Mechanism)	1	\$21.00
53	AS41901	PLUG PROTECTOR, SMALL MALE	1	\$6.25
54	VF99924	KEY, MOTOR	1	\$2.13
55	VF41079	VIPER LOGO	1	\$13.00
56	VF53110	SILVER LABEL	1	\$19.75

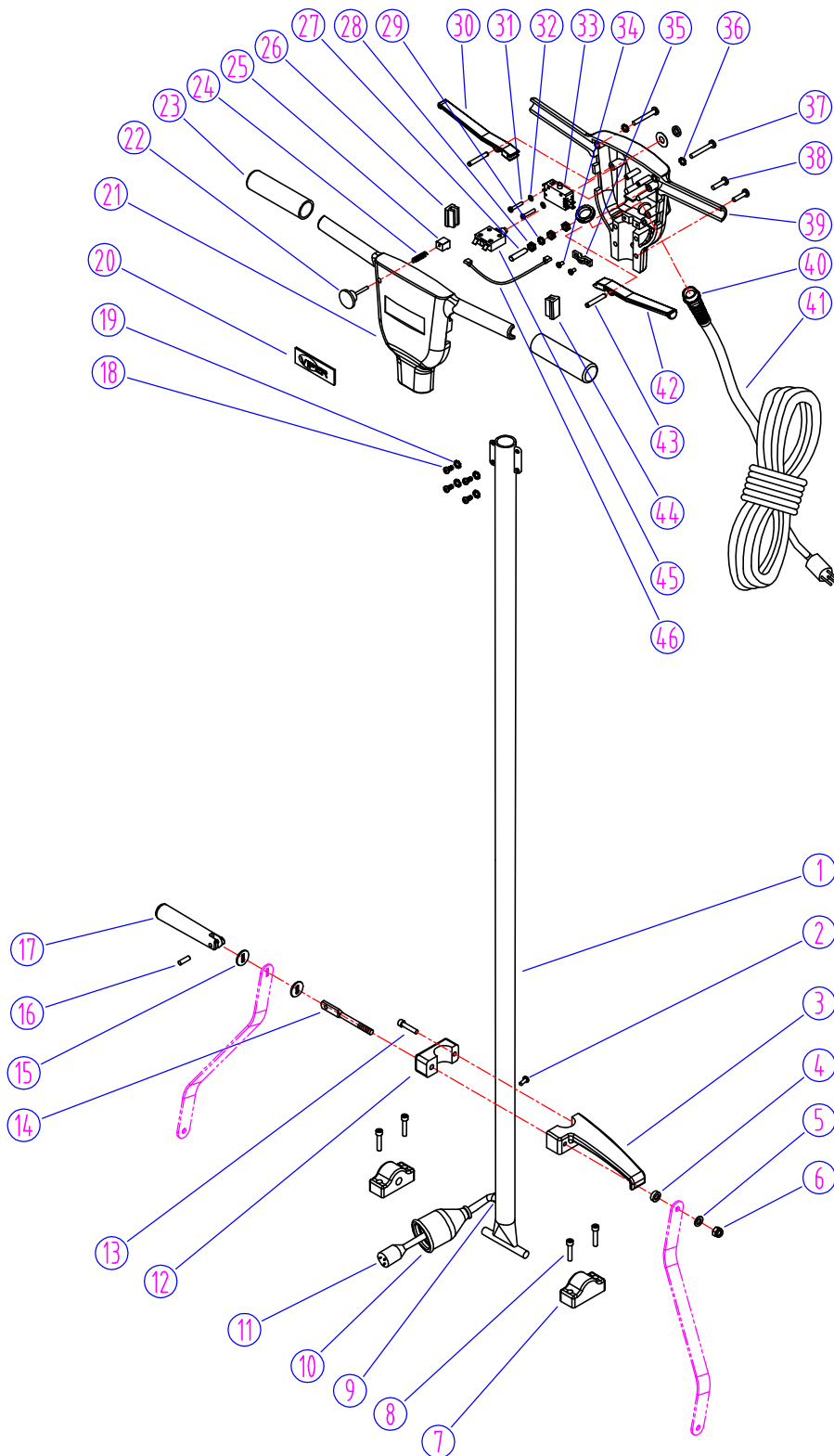
HANDLE GROUP FOR VN1500



HANDLE ASSEMBLY - VN1500 (Serial #301+)

DIA NO	PART NUMBER	DESCRIPTION	NO REQ'D	LIST \$ (ea)
1	VF53109	TUBE, HANDLE, VN1500	1	\$37.13
2	VF13493	SCREW, HEX SOCKET, M6 x 10	1	\$1.13
3	VF30013	HOOK, CABLE	1	\$21.50
4	VF14114	SCREW, HEX, M8 x 55	1	\$2.00
5	VF13517	WASHER, PLAIN, M10 x M20 x 2.5	1	\$1.13
6	VF13504	NUT, NYLON INSERT, M10	1	\$1.13
7	VF30011	CLAMP BLOCK, HANDLE	2	\$7.75
8	VF14053	SCREW, HEX SOCKET, M6 x 25	4	\$1.13
9	VF50120	GROMMET	1	\$1.13
10	AS41902	PLUG PROTECTOR, LARGE FEMALE	1	\$6.25
11	VF45120	CORD, HANDLE, 14/3C	1	\$6.25
12	VF30014	COVER, HOOK, CABLE	1	\$10.88
13	VF13503	NUT, M8, NYLON INSERT	1	\$1.13
14	VF30015	BOLT, HANDLE RELEASE	1	\$10.50
15	VF30018	WASHER, PLAIN, HANDLE RELEASE	2	\$1.25
16	VF30017	SCREW PIN, HANDLE RELEASE	1	\$1.50
17	VF30016	HANDLE RELEASE	1	\$26.75
18	VF14222	SCREW, PH, M5 X 12	4	\$1.13
19	VF13604	EXTERNAL TOOTH WASHER, M5	4	\$1.13
20	VF47035A	LOGO, VIPER	1	\$5.50
21	VF30101	FRONT COVER, SWITCH HOUSING	1	\$67.00
22	VF48310	HANDLE GRIP	2	\$10.88
23	GV40218	SPRING, SAFETY BLOCK	1	\$1.50
24	VF46705	SAFETY BLOCK	1	\$5.25
25	VF30109	COVER, LEVELING HANDLE	1	\$1.88
26	VF13526	SCREW, HEX SOCKET, M4 x 30	1	\$1.13
27	GT13013	NUT, M4	3	\$1.13
28	VF13527	EXTERNAL TOOTH WASHER, M4	1	\$1.13
29	VF30104	TRIGGER, RIGHT, SWITCH	1	\$11.63
30	VF14212	SCREW, PH, M3 x 25	2	\$1.13
31	VF13511	WASHER, LOCK, INTERNAL TOOTH	2	\$1.13
32	VF44203	SWITCH ASSEMBLY	1	\$23.50
33	VF99010C	CIRCUIT BREAKER, 17AMPS	1	\$10.88
34	VV13661	SCREW, PH, M4 x 12	2	\$1.13
35	VF48309	CLAMP BLOCK, CORD, HANDLE	1	\$2.63
36	VF13528	EXTERNAL TOOTH WASHER, M6	2	\$1.13
37	VF14218	SCREW, PH, M6 x 45	2	\$1.13
38	VF14223	SCREW, PH, M6 x 25	2	\$1.13
39	VF30102	REAR COVER, SWITCH HOUSING	1	\$71.00
40	AS22009	STRAIN RELIEF, CORD, POWER SUPPLY	1	\$13.00
41	VF45119	CORD, POWER SUPPLY	1	\$71.50
42	VF30103	TRIGGER, LEFT, SWITCH	1	\$11.63
43	VF48306	PIN	2	\$1.50
44	VF53111	COVER, LEVER, SOLUTION	1	\$1.38
45	VF45124	JUMP WIRE	1	\$1.13

HANDLE GROUP FOR VN1500



VN1500 - ORIGINAL HANDLE ASSEMBLY (UP TO SERIAL # 300)

DIA NO	PART NUMBER	DESCRIPTION	LIST
1	VF53109	TUBE HANDLE,VN1500	\$37.13
2	VF13493	SCREW,M6 x 10,HEX SOCKET	\$1.13
3	AS112206-1	HOOK, CABLE	\$21.50
4	AS112214	SPACER, HANDLE RELEASE	\$1.13
5	VF13514	WASHER,PLAIN ϕ 8 x ϕ 16 x 1.5	\$1.13
6	VF13503	NUT,M8,NYLON INSERT	\$1.13
7	AS112208	CLAMP BLOCK, HANDLE	\$7.75
8	VF14053	HEX SOCKET SCREW,M6 x 25	\$1.13
9	VF50120	GROMMET	\$1.13
10	AS41901	PLUG PROTECTOR, LARGE FEMALE	\$6.25
11	VF45120	CORD,HANDLE,14/3C	\$6.25
12	AS112206-2	COVER, HOOK, CABLE	\$10.88
13	AS112217	SHOULDER SCREW,HEX,M6 x 32 X 20	\$1.13
14	AS112211	BOLT, HANDLE RELEASE	\$12.38
15	AS112216	WASHER, PLAIN, HANDLE RELEASE	\$1.13
16	AS112203	SCREW PIN, HANDLE RELEASE	\$2.13
17	AS112212	HANDLE RELEASE	\$26.75
18	VF14222	SCREW M5 X 12, PH	\$1.13
19	VF13604	EXTERNAL TOOTH WASHER, ϕ 5	\$1.13
20	VF47035A	LOGO, VIPER	\$5.50
21	VF30009	FRONT COVER	\$63.88
22	VF40114	SAFETY BUTTON	\$2.75
23	VV60278	HANDLE GRIP	\$10.88
24	VF48308	SPRING, SAFETY BLOCK	\$1.50
25	VF48307	SAFETY BLOCK	\$3.00
26	VF30003	COVER, LEVELING HANDLE	\$1.13
27	VF13526	HEX SOCKET SCREW,M4 x 30	\$1.13
28	GT13013	NUT,M4	\$1.13
29	VF13527	EXTERNAL TOOTH WASHER ϕ 4	\$1.13
30	VF48303B	LEVER, RIGHT, SWITCH	\$10.50
31	VF14212	SCREW M3 x 25,PH	\$1.13
32	VF13511	WASHER, LOCK, INTERNAL TOOTH	\$1.13
33	VF44203	SWITCH ASSY	\$23.50
34	VV13661	SCREW,M4 x 12,PH	\$1.13
35	VF48309	CLAMP BLOCK, CORD, HANDLE	\$2.63
36	VF13528	EXTERNAL TOOTH WASHER ϕ 6	\$1.13
37	VF14218	SCREW M6 x 45, PH	\$1.13
38	VF14223	SCREW M6 x 25, PH	\$1.13
39	VF53108	REAR COVER, HANDLE	\$71.00
40	AS22009	STRAIN RELIEF, CORD, POWER SUPPLY	\$13.00
41	VF45119	CORD, POWER SUPPLY	\$71.50
42	VF48303	LEVER, LEFT, SWITCH	\$10.50
43	VF48306	PIN	\$1.50
44	VF50011	COVER, LEVER, SOLUTION	\$1.13
45	VF99010C	CIRCUIT BREAKER,17AMPS	\$10.88
46	VF45124	JUMP WIRE	\$1.13
*	VF00048	HEAVY DUTY HANDLE RELEASE UPDATE KIT	\$94.50