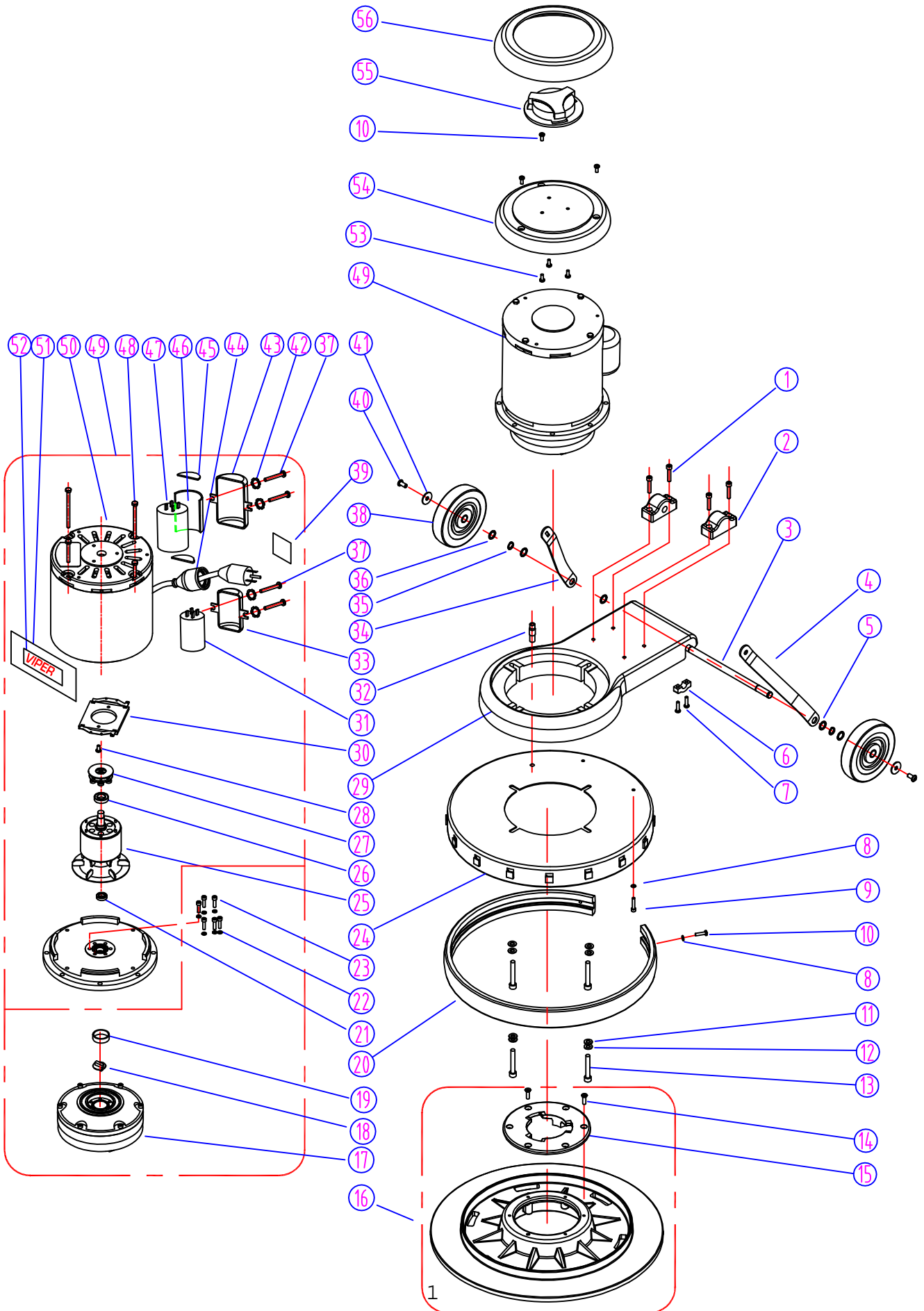


VN1720P - BASE ASSEMBLY



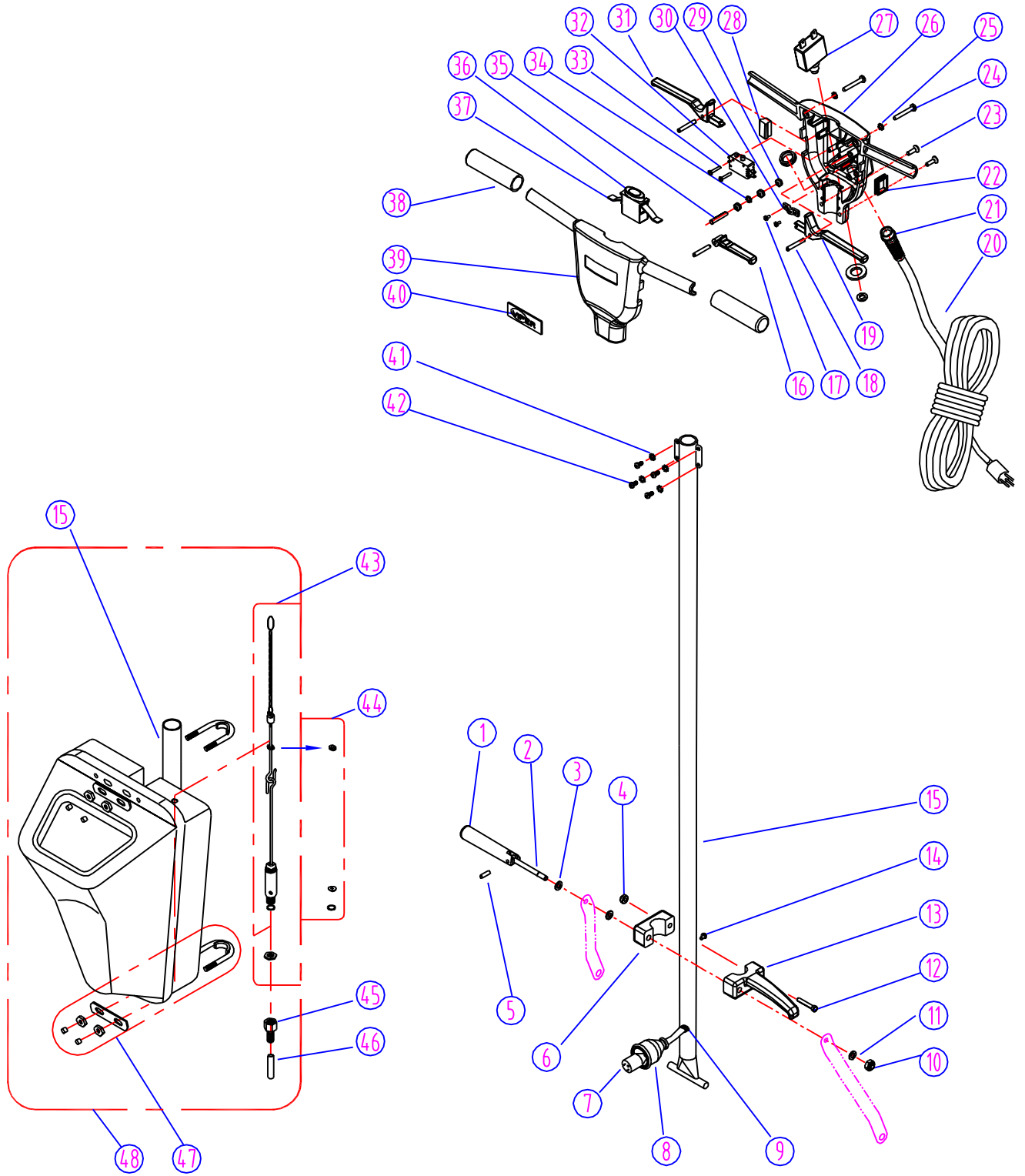
BASE ASSEMBLY - VN1720P

DIA NO	PART NUMBER	DESCRIPTION	NO REQ'D	LIST \$ (ea)
1	GT13080	SCREW, M6 X 30	4	\$1.13
2	VF30011	CLAMP BLOCK, HANDLE	1	\$7.75
3	AS112210	AXLE (Original style)	1	\$9.50
	VF30026	AXLE (HD style)	1	\$10.50
4	VF30020	BRACKET, LEFT HANDLE (HD handle release)	1	\$21.00
	AS112209	BRACKET, LEFT HANDLE (Original handle release)	1	\$21.00
5	VV20274	WASHER, PLAIN, M13	4	\$2.38
6	GV40235	CLAMP BLOCK, AXLE	2	\$1.88
7	VV13621	SCREW, SELF-TAPPING, M5 X 20	4	\$1.13
8	VF13474A	WASHER, PLAIN, M5	4	\$1.13
9	VF13613	SCREW, M5 X 20	2	\$1.13
10	VA13474	SCREW, M5 X 16	5	\$1.13
11	VF13524	WASHER, PLAIN, M8	4	\$1.13
12	VF13519	WASHER, LOCK, M8	4	\$1.13
13	GT13016	SCREW, M8 X 55	4	\$1.13
14	MF-VF002-4A	SCREW, SELF-TAPPING, 1/4"-1"	6	\$1.13
15	MF-VF002-2	CLUTCH PLATE	1	\$20.25
16	MF-VF022	PAD HOLDER, 19-INCH	1	\$96.25
	MF-VF021	PAD HOLDER, 16-INCH	1	\$74.75
17	VF999802B	GEAR BOX	1	\$354.75
18	VF99021	COULPER	1	\$10.00
19	MT01102	SLEEVE	1	\$2.50
20	VF30004	BUMPER, 20-INCH	1	\$11.00
	VF30005	BUMPER, 17-INCH	1	\$10.50
21	VF999821	BEARING, 6002 LLU	1	\$24.50
22	VV13601	WASHER, LOCK, M5	6	\$1.13
23	VV13636	SCREW, M5 X 30	6	\$1.13
24	VF30006	SHROUD, 20-INCH, (VN2015)	1	\$68.75
	VF30006A	SHROUD & BUMPER ASSY, 20-INCH	1	\$79.75
	VF30007	SHROUD, 17-INCH, (VN1715)	1	\$55.00
	VF30007A	SHROUD & BUMPER ASSY, 17-INCH	1	\$66.00
	VF30024A	SHROUD & BUMPER ASSY, 15-INCH (OPTIONAL)	0	\$53.63
	VF30023A	SHROUD & BUMPER ASSY, 13-INCH (OPTIONAL)	0	\$45.50
25	YCQ11200	ROTOR WITH FAN ASSY	1	\$128.00
26	YCQ10501	BEARING, 6203 RZ	1	\$23.13
27	YCQ10300A	CENTRIFUGAL SWITCH	1	\$14.13
28	VV20509	SCREW, M5 X 10	2	\$1.13
29	VF30008	ALUMINIUM BASE, MOTOR	1	\$68.75
30	YCQ10300B	STATIONARY SWITCH	1	\$23.38
31	VF999854	CAPACITOR, RUN, 50uF / 370V	1	\$29.63
32	VF40152	HOSE BARB	1	\$4.75
33	YLQ14601	MOUNTING FRAME, CAPACITOR, (SMALL)	1	\$10.88
34	VF30019	BRACKET, HANDLE, RIGHT (HD handle release)	1	\$21.00
	AS112215	BRACKET, HANDLE, RIGHT (Original handle release)	1	\$21.00
35	VF13520	WASHER, LOCK	2	\$1.13
36	VF50119	WASHER, PLAIN, M12	2	\$1.13
37	VF14214	SCREW, M5 X 8	4	\$1.13
38	VF48202	WHEEL, 5"	2	\$22.00
39	VF40994	LABEL, READ MANUAL	1	\$1.13
40	VF13520	RETAINING RING, EXTERNAL, M12 (ORIGINAL AXLE)	2	\$1.13
	VF44012	SCREW, M6 X 12.7 (H.D. AXLE)	2	\$1.13
41	VF13602	WASHER, PLAIN, M12.35 (ORIGINAL AXLE)	2	\$1.13
	VF13666	WASHER, PLAIN, M6 (H.D. AXLE)	2	\$1.13
42	VF13604	WASHER, LOCK, EXTERNAL TOOTH	4	\$1.13
43	YCQ10615	MOUNTING FRAME, CAPACITOR, (LARGE)	1	\$12.38

DIA NO	PART NUMBER	DESCRIPTION	NO REQ'D	LIST \$ (ea)
44	AS41902	PLUG PROTECTOR, LARGE FEMALE	1	\$6.25
45	YCQ10414	CLEAR COVER	4	\$1.13
46	YCQ10416	CAPACITOR WRAP	2	\$1.38
47	VF999805	CAPACITOR, START, 400-450UF / 150V	1	\$28.75
48	YLQ17507	BOLT ASSY	4	\$2.13
49		SEE #17 & #50		
50	VF999787	MOTOR, 110V, 1.5HP	1	\$464.75
51	VF44003	LABEL, MOTOR	1	\$15.75
52	VF41079	LABEL, VIPER	1	\$13.00
53	VF14222	SCREW, M5 X 12	3	\$1.13
54	VF30001	TOP COVER, MOTOR	1	\$23.00
55	VF30002	CLUTCH PLATE HOLDER, PAD DRIVER	1	\$10.50
56	VF47023	BUMPER	1	\$10.50

PARTS LIST

HANDLE GROUP FOR VN1720P

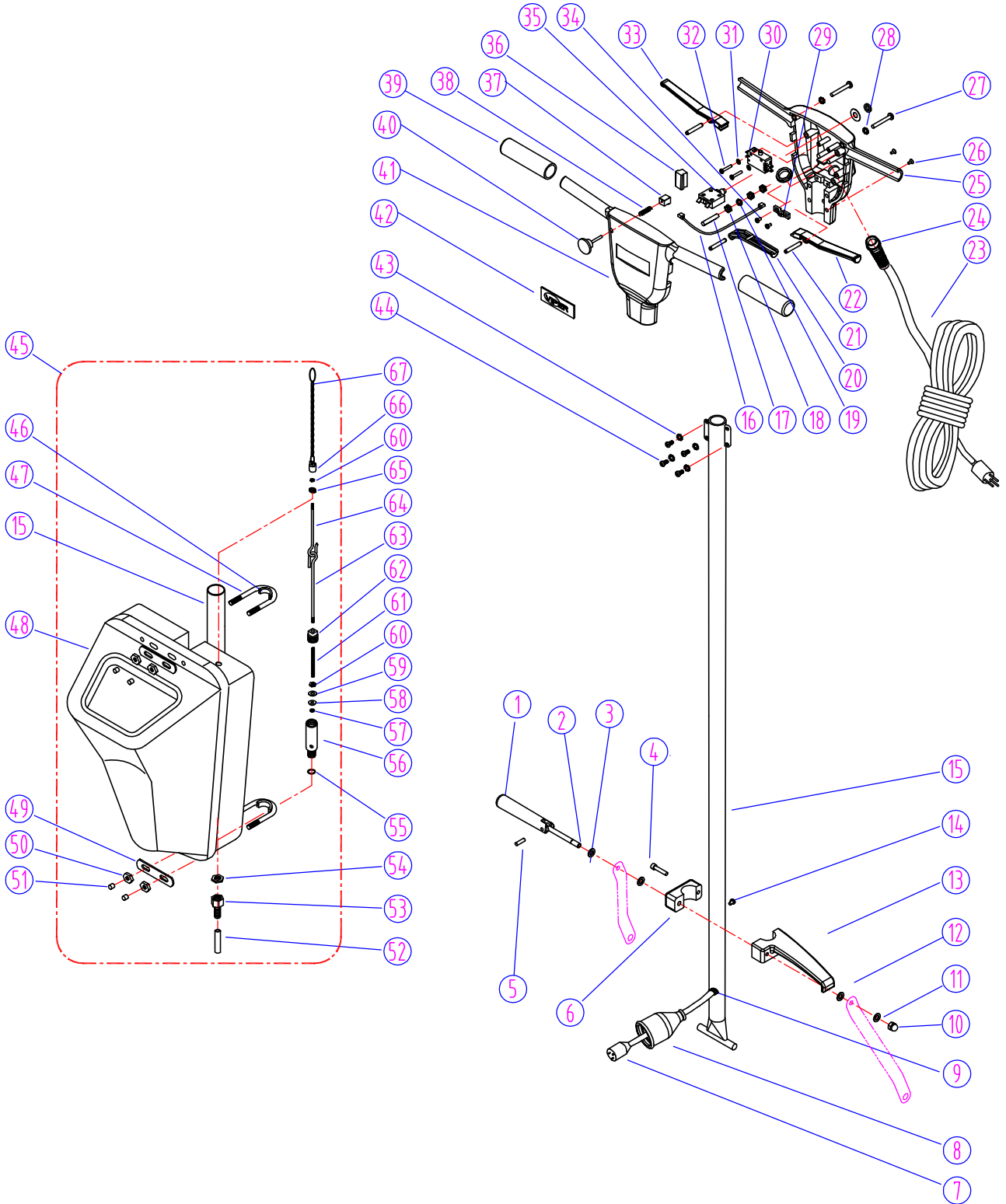


HANDLE ASSEMBLY - VN1720P**(SERIAL # 1766+ FOR RELEASE MECHANISM & SERIAL #2059+ FOR SWITCH HOUSING)**

DIA NO	PART NUMBER	DESCRIPTION	NO REQ'D	LIST \$ (ea)
1	VF30016	HANDLE RELEASE	1	\$26.75
2	VF30015	BOLT, HANDLE RELEASE	1	\$10.50
3	VF30018	WASHER, PLAIN	2	\$1.25
4	VF13503	NUT, LOCK, M8 X 5.7	1	\$1.13
5	VF30017	SCREW	1	\$1.50
6	VF30014	COVER, HOOK	1	\$10.88
7	VF45120	CORD, HANDLE	1	\$6.25
8	AS41901	PLUG PROTECTOR, SMALL MALE	1	\$6.25
9	VF50120	GROMMET	1	\$1.13
10	VF13504	NUT, LOCK, M10	1	\$1.13
11	VF13517	WASHER, PLAIN	1	\$1.13
12	VF14114	SCREW, HEX, M8 X 55	1	\$2.00
13	VF30013	HOOK, CORD	1	\$21.50
14	VF13493	SCREW, M6 X 10	1	\$1.13
15	AS112205	TUBE	1	\$37.13
16	VF44018	LEVER, SOLUTION	1	\$11.63
17	VV13661	SCREW, M4 X 12	2	\$1.13
18	VF48306	PIN	3	\$1.50
19	VF44016	TRIGGER, LEFT, SWITCH	1	\$11.63
20	VF45119	CORD, POWER SUPPLY	1	\$71.50
21	AS22009	STRAIN RELIEF, CORD	1	\$13.00
22	VF30108	GASKET, HANDLE, SOLUTION	1	\$1.88
23	VF14223	SCREW, PH, M6 X 25	2	\$1.13
24	VF14218	SCREW, PH, M6 X 45	2	\$1.13
25	VF13528	TOOTH WASHER, M6	2	\$1.13
26	VF30102	REAR COVER, SWITCH HOUSING	1	\$71.00
27	VF99010C	CIRCUIT BREAKER, 17A	1	\$10.88
28	VF30109	COVER	1	\$1.88
29	GT13013	NUT, M4	1	\$1.13
30	VF48309	CLAMP, BLOCK	3	\$2.63
31	VF44017	TRIGGER, RIGHT, SWITCH	1	\$11.63
32	VF44203	SWITCH ASSY	1	\$23.50
33	VF14212	SCREW, M3 X 25	1	\$1.13
34	VF13527	TOOTH WASHER, M4	2	\$1.13
35	VF13526	SCREW, HEX SOCKET, M4 X 30	1	\$1.13
36	VF46705	SAFETY BUTTON	1	\$5.25
37	GV40218	SPRING, SAFETY BUTTON	1	\$1.50
38	VF48310	HANDLE GRIP	2	\$10.88
39	VF30101	FRONT COVER, SWITCH HOUSING	1	\$67.00
40	VF47035A	LOGO	1	\$5.50
41	VF13604	TOOTH WASHER, M5	4	\$1.13
42	VF14222	SCREW, M5 X 12	4	\$1.13
43	VF40200	VALVE ASSY KIT	1	\$49.50
44	VF40001	TANK SEAL KIT	1	\$2.50
45	VF40132	HOSE BARB	1	\$3.38
46	VF40139	HOSE, SOLUTION	1	\$2.00
47	VF40000	TANK MOUNTING KIT	1	\$12.75
48	MF-VF001U	SOLUTION TANK ASSY	1	\$107.25

PARTS LIST

HANDLE GROUP FOR VN1720P



**VN1720P - ORIGINAL HANDLE ASSEMBLY
(up to #1765 - Release Mechanism & up to #2058 Switch Housing)**

DIA NO	PART NUMBER	DESCRIPTION	LIST
1	AS112212	HANDLE RELEASE	\$26.75
2	AS112211	BOLT, HANDLE RELEASE	\$12.38
3	AS112216	WASHER, PLAIN	\$1.13
4	AS112217	SCREW, SHOULDER, HEX, M6 x 32 x 20	\$1.13
5	AS112203	SCREW PIN	\$2.13
6	AS112206-2	COVER, HOOK	\$10.88
7	VF45120	CORD, HANDLE	\$6.25
8	AS41901	PLUG PROTECTOR, LARGE FEMALE	\$6.25
9	VF50120	GROMMET	\$1.13
10	VF13503	NUT, NYLON INSERT, M8	\$1.13
11	VF13514	WASHER, PLAIN	\$1.13
12	AS112214	WASHER, PLAIN	\$1.13
13	AS112206-1	HOOK, CABLE	\$21.50
14	VF13493	SCREW, HEX SOCKET, M6 x 10	\$1.13
15	AS112205	TUBE	\$37.13
16	VF45124	JUMP WIRE	\$1.13
17	VF13526	SCREW, HEX SOCKET, M4 x 30	\$1.13
18	GT13013	NUT, M4	\$1.13
19	VF13527	WASHER, EXTERNAL TOOTH, M4	\$1.13
20	VF48305	LEVER, SOLUTION	\$10.50
21	VF48306	PIN	\$1.50
22	VF48303	LEVER, LEFT, SWITCH	\$10.50
23	VF45119	CORD, POWER SUPPLY	\$71.50
24	AS22009	STRAIN RELIEF, CORD	\$13.00
25	VF53108	REAR COVER, SWITCH HOUSING	\$71.00
26	VF14223	SCREW, M6 x 25	\$1.13
27	VF14218	SCREW, M6 x 45	\$1.13
28	VF13528	WASHER, EXTERNAL TOOTH, M6	\$1.13
29	VF48309	CLAMP BLOCK	\$2.63
30	VF44203	SWITCH ASSEMBLY	\$23.50
31	VF13511	WASHER, LOCK, INTERNAL TOOTH	\$1.13
32	VF14212	SCREW, PH, M3 x 25	\$1.13
33	VF48303B	LEVER, RIGHT, SWITCH	\$10.50
34	VV13661	SCREW, M4 x 12	\$1.13
35	VF99012	CIRCUIT BREAKER, 12AMPS	\$12.38
36	VF30003	COVER	\$1.13
37	VF48307	SAFETY BLOCK	\$3.00
38	VF48308	SPRING, SAFETY BLOCK	\$1.50
39	VF60278	HANDLE GRIP	\$10.88
40	VF40114	SAFETY BUTTON	\$2.75
41	VF30009	FRONT COVER, SWITCH HOUSING	\$63.88
42	VF47035A	LOGO	\$5.50
43	VF13604	WASHER, EXTERNAL TOOTH, M5	\$1.13
44	VF14222	SCREW, M5 x 12	\$1.13
45	MF-VF001U	SOLUTION TANK ASSY	\$107.25
46	VF40140	GASKET	\$1.13
47	VF40136	BOLT	\$1.88
48	VF40130	TANK	\$57.75
49	VF40141	CLAMP PLATE	\$1.13

VN1720P - ORIGINAL HANDLE ASSEMBLY
(up to #1765 - Release Mechanism & up to #2058 Switch Housing)

DIA NO	PART NUMBER	DESCRIPTION	LIST
50	VF13513	NUT, M8	\$1.13
51	VF99015	RUBBER CAP	\$1.13
52	VF40139	HOSE, SOLUTION	\$2.00
53	VF40132	BARB HOSE	\$3.38
54	VF40142	NUT, M14	\$1.38
55	VF41020	"O" RING	\$1.13
56	VF40131	VALVE BODY	\$16.38
57	VF40155	NUT, M5	\$1.13
58	VF40134	SEAL, RUBBER	\$1.13
59	VF40138	WASHER, PLAIN, M5	\$1.13
60	VF40144	SCREW, BRASS, M5	\$1.13
61	VF40135	SPRING	\$1.38
62	VF40133	SCREW	\$2.13
63	VF40148	LOWER PULLING ROD	\$7.25
64	VF40137	UPPER PULLING ROD (BRASS)	\$10.88
65	VF40147	SEAL, TANK	\$1.13
66	VF40156	SEAT CHAIN	\$1.38
67	VF41021	CHAIN	\$1.13

VF00056	HEAVY-DUTY HANDLE RELEASE KIT		\$91.50
---------	-------------------------------	--	---------