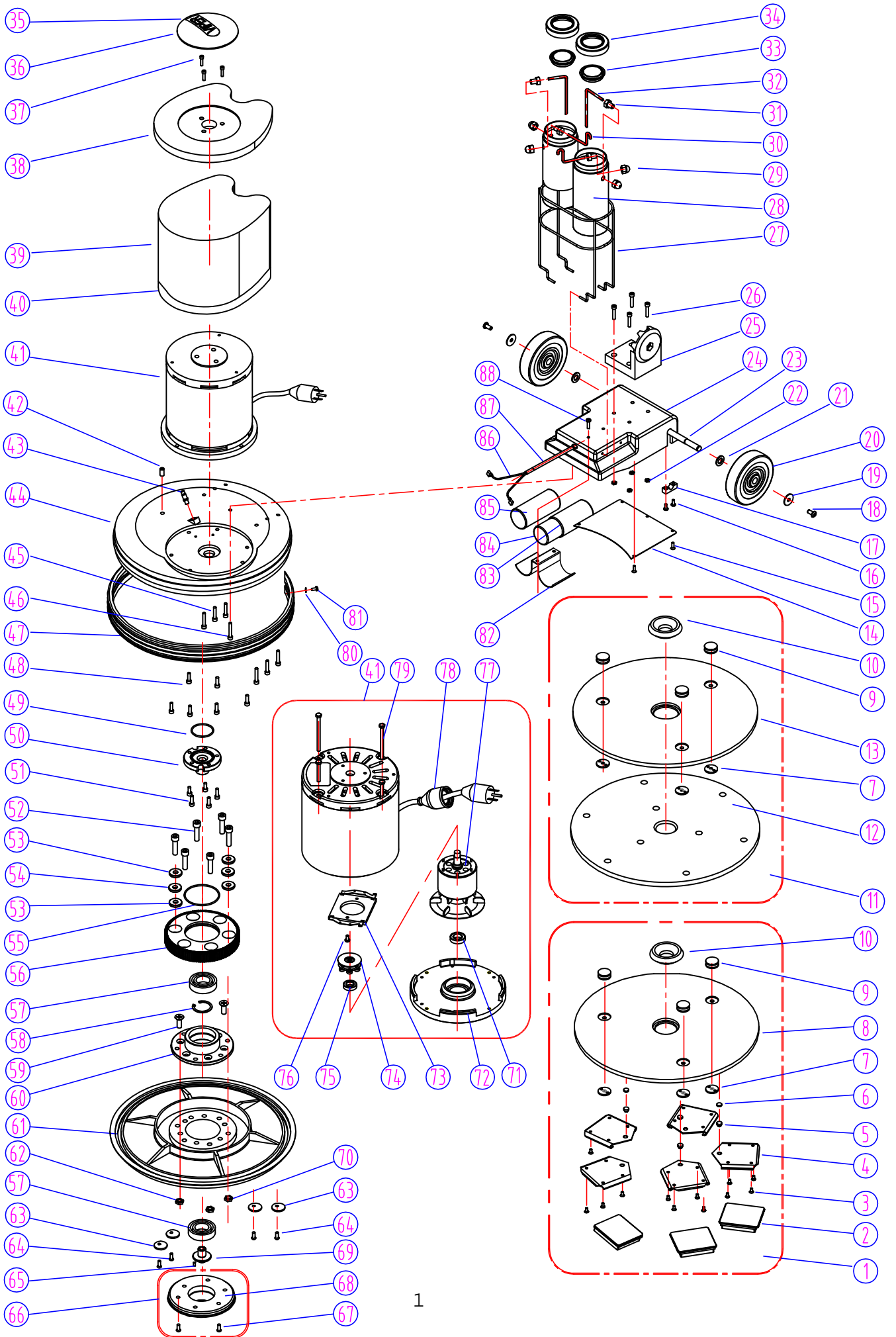


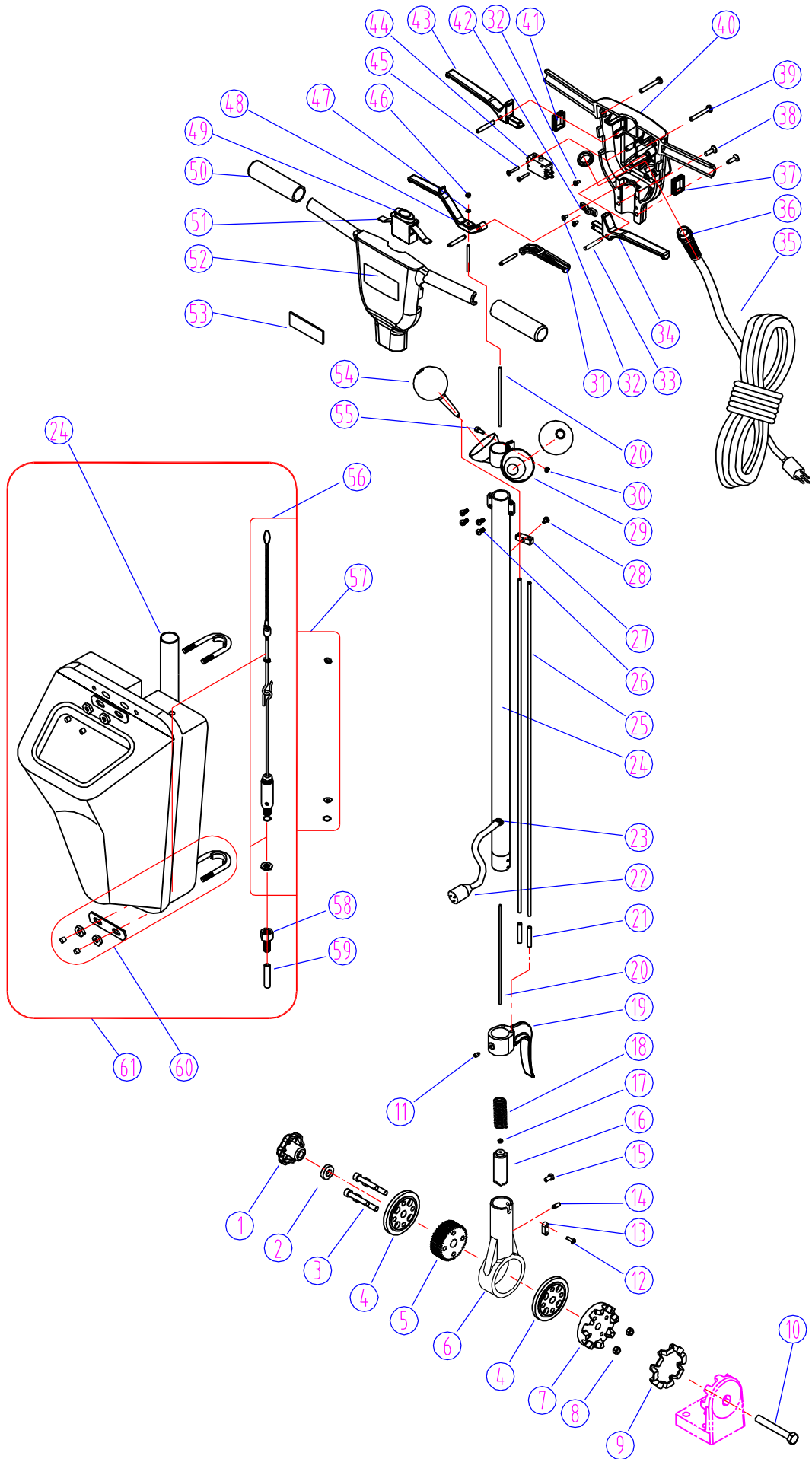
# PARTS LIST



**BASE ASSEMBLY - AN17SC - LIST PRICE**

DIA NO	PART NUMBER	DESCRIPTION	NO REQ'D	LIST \$ (ea)
1	VF48400B	GRINDING DISC HOLDER	1	\$143.00
2	VF48400C	BASE, GRINDING DISC	6	\$15.75
3	VF14224	SCREW, SELF-TAPPING, M5 X 10	24	\$1.13
4	VF48411	PLATE	6	\$11.63
5	VF48408	NYLON SHAFT	6	\$1.13
6	VF48409	GASKET	6	\$1.13
7	VF48403	NUT, M6	6	\$1.63
8	VF48405	PLATE, GRINDING DISC	1	\$40.00
9	VF48404	STUD	6	\$2.13
10	VF48406	SHAFT	2	\$7.75
11	VF48400A	PAD HOLDER ASSEMBLY	1	\$121.00
12	VF48402	PAD, RUBBER	1	\$65.63
13	VF48401	PLATE, PAD HOLDER	1	\$40.00
14	VF48119	COVER, CAPACITOR	1	\$7.50
15	VA13472	SCREW, M4 X 8	4	\$1.13
16	VV13621	SCREW, SELF-TAPPING, M5 X 20	4	\$1.13
17	VF47038	BLOCK, AXLE	2	\$1.38
18	VF44012	SCREW, M6 X 12.7	2	\$1.13
19	VF13666	WASHER, PLAIN, M6	2	\$1.13
20	VF48215A	WHEEL, 5" (HEAVY DUTY)	2	\$24.25
	VF48202	WHEEL, 5" (STANDARD DUTY)	2	\$22.00
21	VF48216	WASHER, LOCK, M13	2	\$1.13
22	VF13503	NUT, LOCK, M8	4	\$1.13
23	VF48104B	AXLE (HEAVY DUTY)	1	\$11.63
	VF48104	AXLE (STANDARD DUTY)	1	\$9.75
24	VF48103	MOUNTING PLATE	1	\$94.50
25	VF48210	MOUNTING BASE, GEAR	1	\$30.63
26	VF13494	SCREW, M8 X 30	4	\$1.13
27	VF48113	BASKET, BOTTLE	1	\$10.88
28	VF48418	BOTTLE	2	\$9.00
29	VF48417	NUT	4	\$2.63
30	VF48424	PLASTIC TUBE, M3 X M5	2	\$1.13
31	VF48416	SCREW	4	\$3.00
32	VF48423	PLASTIC TUBE, M3 X M5	2	\$1.13
33	VF48414	COVER	2	\$1.38
34	VF48415	NUT, BOTTLE	2	\$2.00
35	VF40800	LABEL	1	\$2.00
36	VF47030	COVER, PLASTIC	1	\$9.75
37	VF14209	SCREW, M5 X 15	3	\$1.13
38	VF48112	TOP COVER, MOTOR	1	\$35.00
39	VF48106	COVER, MOTOR	1	\$73.88
40	VF48128	GASKET, RUBBER	1	\$2.50
41	YLQ27000	MOTOR, 115V, 1.5HP	1	\$536.25
42	VF48218	GREASE CUP	1	\$3.63
43	VF40152	HOSE BARB	1	\$4.75
44	VF48101	FRAME	1	\$464.25
45	GT13031	SCREW, M6 X 35	3	\$1.13
46	GT13015	SCREW, M6 X 30	4	\$1.13
47	VF48116	BUMPER	1	\$13.38

DIA NO	PART NUMBER	DESCRIPTION	NO REQ'D	LIST \$ (ea)
48	VF13498	SCREW, M6 X 20	6	\$1.13
49	VF14203	"O"RING, M2.65 X M52.6	1	\$2.63
50	VF48109	BRONZE SHAFT	1	\$50.50
51	VF14208A	SCREW, M6 X 12	5	\$1.13
52	VF14206	SCREW, M10 X 40	6	\$1.75
53	VF48115	GASKET	12	\$1.38
54	VF48114	GASKET	6	\$1.38
55	VF14205	"O"RING, M3.55 X M79.6	1	\$2.38
56	VF48102	GEAR	1	\$128.00
57	VF14204	BEARING, 7206E	2	\$26.25
58	VF14202	WASHER, LOCK	1	\$1.13
59	VF14221	SCREW, M8 X 20	6	\$1.13
60	VF48102-2	BUSHING STEEL	1	\$19.63
61	VF48107	ALUMINUM DISC	1	\$211.63
62	VF13513	NUT, M8	6	\$1.13
63	VF48108	WASHER	6	\$2.13
64	VV13605	SCREW, M6 X 16	6	\$1.13
65	VF13523	SCREW, HEX SOCKET, M6 x 10	1	\$1.13
66	VF48120A	CLUTCH PLATE ASSEMBLY	1	\$58.50
67	VF14223	SCREW, M6 X 25	6	\$1.13
68	VF48120	CLUTCH PLATE	1	\$54.25
69	VF48105	SCREW	1	\$2.63
70	VF14207	NUT, M10	6	\$1.13
71	VF14060	BEARING, 6205 LLU	1	\$23.50
72	YLQ17602	FRONT COVER, MOTOR	1	\$25.75
73	YCQ10300A	CENTRIFUGAL SWITCH	1	\$14.13
74	YCQ10300B	STATIONARY SWITCH	1	\$23.38
75	YCQ10501	BEARING, 6203 RZ	1	\$23.13
76	VV20509	SCREW, M5 X 10	2	\$1.13
77	YLQ17300	SHAFT & ROTOR ASSEMBLY	1	\$197.38
78	AS41902	PLUG PROTECTOR, LARGE FEMALE	1	\$6.25
79	YLQ17507	BOLT ASSEMBLY	2	\$2.13
80	VA13482A	WASHER, PLAIN, M5 X M11 X 0.7	2	\$1.13
81	VA13476	SCREW, M5 X 40	2	\$1.13
82	VF48123	CLAMP, CAPACITOR	1	\$12.75
83	VF48124	PLASTIC TUBE	2	\$2.00
84	VF999841	START-UP CAPACITOR, 400MF/300V	1	\$28.63
85	VF999805	RUNNING CAPACITOR, 50uF/370V	1	\$28.75
86	VF48126	CABLE	4	\$2.13
87	VF48125	PLASTIC TUBE	1	\$1.13
88	VA13475	SCREW, M5 X 25	2	\$1.13

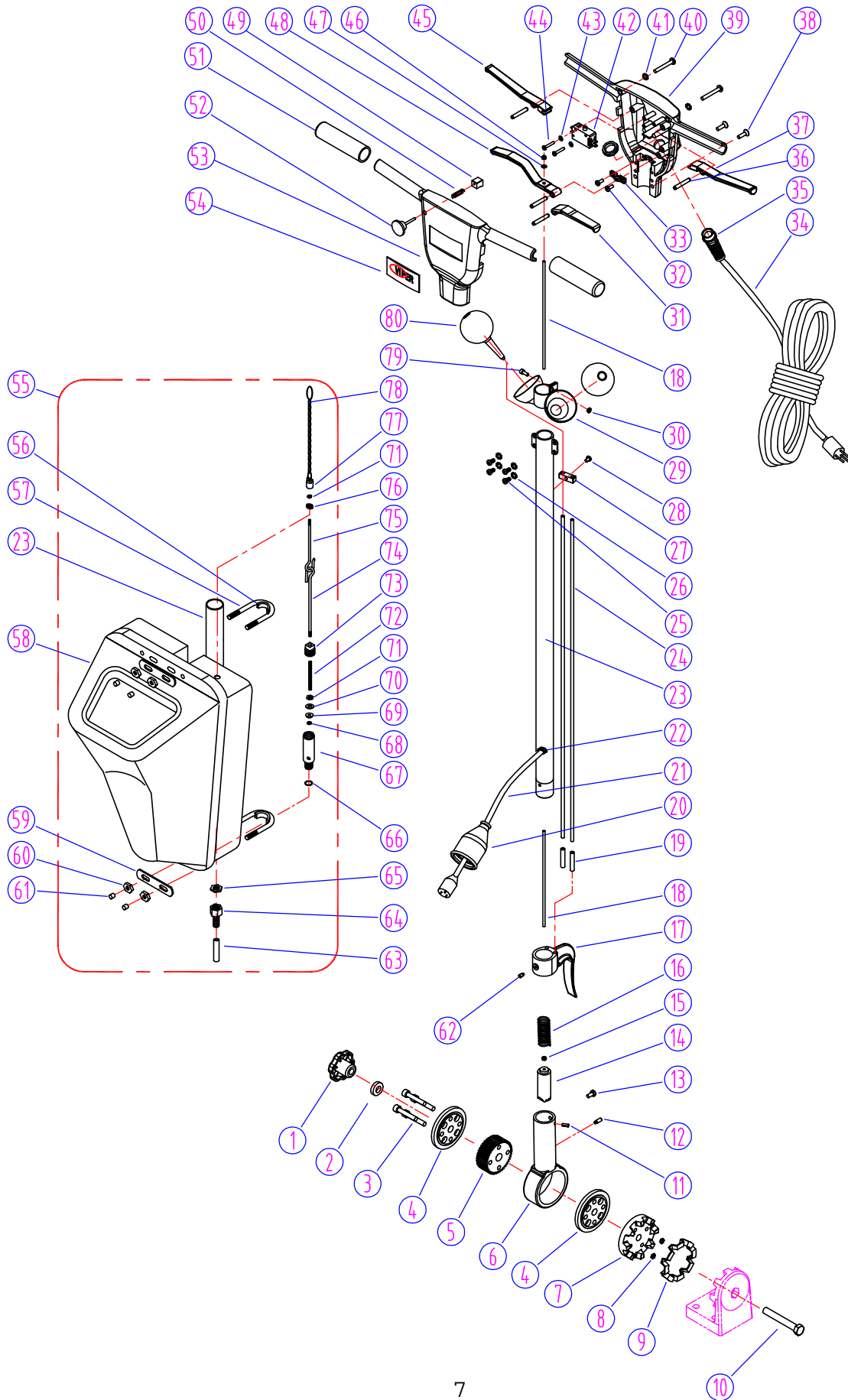


## HANDLE ASSEMBLY - AN17SC

DIA NO	PART NUMBER	DESCRIPTION	NO REQ'D	LIST \$ (ea)
1	VF50103A	KNOB, M12	1	\$8.13
2	VV20434	WASHER, PLAIN, M13	1	\$1.13
3	GT13016	SCREW, M8 X 60	4	\$1.13
4	VF48203	COVER, GEAR	2	\$7.75
5	VF47028	GEAR	1	\$17.88
6	VF48201	GEAR SEAT	1	\$38.00
7	VF48214	CLAMP	1	\$10.88
8	VF13503	NUT, LOCK, M8	4	\$1.13
9	VF48213	GASKET	1	\$5.25
10	VF14058	SCREW, M12 X 90	1	\$1.13
11	VF14217	SCREW, M6 X 10	1	\$1.13
12	VA13473	SCREW, M4 X 16	2	\$1.13
13	VF48217	KEY, M8 X 12 X 25	1	\$5.00
14	VF13523	SCREW, M6 X 10	1	\$1.13
15	VF14124	SCREW, M10 X 12	1	\$2.38
16	VF48212	INSERT	1	\$6.25
17	GT13013	NUT, M4	1	\$1.13
18	VF48209	SPRING, LEVELING INSERT	1	\$2.50
19	VF48206	HOOK, CABLE	1	\$18.88
20	VF48204	LEVELING ROD	1	\$5.25
21	VF48419	PLASTIC TUBE, M5 X M8	2	\$1.38
22	VF45120	CORD, HANDLE	1	\$6.25
	AS41901	PLUG PROTECTOR, LARGE FEMALE	1	\$6.25
23	VF50120	GROMMET	1	\$1.13
24	VF48205	TUBE, HANDLE	1	\$52.88
25	VF48421	PLASTIC TUBE, M3 X M5	2	\$1.13
26	VF14222	SCREW, M5 X 12	4	\$1.13
27	VF48208	CLAMP, PLASTIC TUBE	1	\$1.13
28	VA13474	SCREW, M5 X 16	1	\$1.13
29	VF48207	RUBBER BULB, TWIN CONE	1	\$7.75
30	GT13022	NUT, LOCK, M5	1	\$1.13
31	VF44018	LEVER, SOLUTION	1	\$11.63
32	VV13650	SCREW, M4 X 10	3	\$1.13
33	VF48306	PIN	4	\$1.50
34	VF44016	TRIGGER, LEFT, SWITCH	1	\$11.63
35	VF45119	CORD, POWER SUPPLY	1	\$71.50
36	AS22009	STRAIN RELIEF, CORD	1	\$13.00
37	VF30108	GASKET, SOLUTION HANDLE	1	\$1.88
38	VF14223	SCREW, M6 X 25	2	\$1.13
39	VF14218	SCREW, M6 X 40	2	\$1.13
40	VF44015	REAR COVER, SWITCH HOUSING	1	\$71.00
41	VF30107	GASKET, LEVELING HANDLE	1	\$1.25
42	VF48309	CLAMP BLOCK	1	\$2.63
43	VF44017	TRIGGER, RIGHT, SWITCH	1	\$11.63
44	VF44203	SWITCH ASSY	1	\$23.50
45	VF14212	SCREW, M3 X 25	2	\$1.13
46	GT13014	NUT, LOCK, M4	1	\$1.13
47	GT13017	WASHER, PLAIN, M4	1	\$1.13
48	VF44019	LEVELING ROD	1	\$8.63

DIA NO	PART NUMBER	DESCRIPTION	NO REQ'D	LIST \$ (ea)
49	VF46705	SAFETY BUTTON	1	\$5.25
50	VF48310	GRIP, HANDLE	2	\$10.88
51	GV40218	SPRING, SAFETY BLOCK	1	\$1.50
52	VF44014	FRONT COVER, SWITCH HOUSING	1	\$67.00
53	VF47035A	LOGO	1	\$5.50
54	VF48420	RUBBER BULB	2	\$8.13
55	VF13612	SCREW, M5 X 12	1	\$1.13
56	VF40200	VALVE ASSY KIT	1	\$49.50
57	VF40001	TANK SEAL KIT	1	\$2.50
58	VF40152	HOSE BARB	1	\$4.75
59	VF40139	HOSE, SOLUTION	1	\$2.00
60	VF40000	TANK MOUNTING KIT	1	\$12.75
61	MF-VF001U	SOLUTION TANK ASSY	1	\$107.25

HANDLE GROUP FOR AN17SC



**ANACONDA STONE CARE - HANDLE ASSEMBLY**  
(UP TO SERIAL #42)

<b>DIA NO</b>	<b>PART NUMBER</b>	<b>DESCRIPTION</b>	<b>LIST</b>
1	VF50103A	KNOB	\$8.13
2	VV20434	WASHER, PLAIN, m13	\$1.13
3	VF14069	SCREW, HEX SOCKET, M8 x 50	\$1.13
4	VF48203	COVER, GEAR	\$7.75
5	VF40125B	GEAR	\$17.88
6	VF48201	GEAR SEAT	\$38.00
7	VF48214	CLAMP PLATE, GEAR	\$10.88
8	VF13503	NUT, NYLON INSERT, M8	\$1.13
9	VF48213	GASKET, CLAMP PLATE	\$5.25
10	VF14058	SCREW, HEX, M12 x 80	\$1.13
11	VF14219	SPRING PIN, M5 x 16	\$1.13
12	VF14217	SCREW, HEX SOCKET, M6 x 16	\$1.13
13	VF14216	SCREW, HEX, M6 x 12	\$1.13
14	VF48212	INSERT, LEVELING	\$6.25
15	GT13013	NUT, HEX, M4	\$1.13
16	VF48209	SPRING, INSERT	\$2.50
17	VF48206	HOOK, CABLE	\$18.88
18	VF48204	ROD, LEVELING	\$5.25
19	VF48419	PLASTIC TUBE, M5 x M8	\$1.38
20	AS41901	PLUG PROTECTOR, LARGE FEMALE	\$6.25
21	VF45120	CORD, HANDLE, SJT, 14/3C	\$6.25
22	VF50120	GROMMET	\$1.13
23	VF48205	TUBE, HANDLE, CHROMED	\$52.88
24	VF48421	PLASTIC TUBE, M5 x M3	\$1.13
25	VF13604	WASHER, EXTERNAL TOOTH, M5	\$1.13
26	VF14222	SCREW, PH, M5 x 12	\$1.13
27	VF48208	CLAMP BLOCK, PLASTIC TUBE	\$1.13
28	VA13474	SCREW, PH, M5 x 16	\$1.13
29	VF48207	HOLDER, TWIN CONE	\$7.75
30	GT13022	NUT, M5, HEX, NYLON INSERT	\$1.13
31	VF48305	LEVER, SOLUTION TANK	\$10.50
32	VV13650	SCREW, PH, M4 x 10	\$1.13
33	VF48309	CLAMP BLOCK, CORD, HANDLE	\$2.63
34	VF45119	CORD, POWER SUPPLY	\$71.50
35	AS22009	STRAIN RELIEF, CORD	\$13.00
36	VF48306	PIN, LEVER	\$1.50
37	VF48303	LEVER, LEFT, SWITCH	\$10.50
38	VF14223	SCREW, FH, M6 x 25	\$1.13
39	VF48302	REAR COVER, SWITCH HOUSING	\$71.00
40	VF14218	SCREW, PH, M6 x 40	\$1.13
41	VF13528	WASHER, EXTERNAL TOOTH, M6	\$1.13
42	VF44203	SWITCH ASSEMBLY	\$23.50
43	VF13511	WASHER, LOCK, INTERNAL TOOTH	\$1.13
44	VF14212	SCREW, PH, M3 x 25	\$1.13
45	VF48302B	LEVER, RIGHT, SWITCH	\$10.50
46	GT13014	HEX NUT, NYLON INSERT, M4	\$1.13
47	GT13017	WASHER, PLAIN, M4 x M16	\$1.13



**ANACONDA STONE CARE - HANDLE ASSEMBLY  
(UP TO SERIAL #42)**

<b>DIA NO</b>	<b>PART NUMBER</b>	<b>DESCRIPTION</b>	<b>LIST</b>
48	VF48304	HANDLE, LEVELING	\$10.50
49	VF48307	BLOCK, SAFETY LOCK	\$3.00
50	VF48308	SPRING, SAFETY LOCK	\$1.50
51	VV60278	GRIP, HANDLE	\$10.88
52	VF40114	SAFETY LOCK	\$2.75
53	VF48301	FRONT COVER, SWITCH HOUSING	\$63.88
54	VF47035A	"VIPER" LOGO	\$5.50
55	MF-VF001U	SOLUTION TANK ASSY	\$107.25
56	VF40140	GASKET, "U"SHAPED BOLT, TANK	\$1.13
57	VF40136	BOLT, "U" SHAPE	\$1.88
58	VF40130	SOLUTION TANK	\$57.75
59	VF40141	CLAMP PLATE, BOLT, TANK	\$1.13
60	VF13513	NUT, NYLON INSERT, M8	\$1.13
61	VF99015	PLASTIC CAP, BOLT	\$1.13
62	VF13523	SCREW, HEX SOCKET, M6 x 10	\$1.13
63	VF40139	HOSE, SOLUTION	\$2.00
64	VF40152	BARB, HOSE, TANK	\$4.75
65	VF40142	NUT, HEX, BRASS, M4	\$1.38
66	VF41020	"O"RING, M14	\$1.13
67	VF40131	VALVE BODY	\$16.38
68	VF40155	NUT, BRASS, M5	\$1.13
69	VF40134	SEAL, RUBBER	\$1.13
70	VF40138	WASHER, PLAIN, BRASS, M5	\$1.13
71	VF40144	NUT, BRASS, M5	\$1.13
72	VF40135	SPRING, SST, VALVE	\$1.38
73	VF40133	SCREW, VALVE	\$2.13
74	VF40148	LOWER PULLING ROD, BRASS	\$7.25
75	VF40137	UPPER PULLING ROD, BRASS	\$10.88
76	VF40147	SEAL, TANK	\$1.13
77	VF40156	SEAT, CHAIN	\$1.38
78	VF41021	CHAIN	\$1.25
79	VF13612	SCREW, HEX SOCKET, M5 x 12	\$1.13
80	VF48420	RUBBER BULB	\$8.13