

# **Spare parts list**

**(15171040) RADIUS Manual**

2007 02

59707340

**EN**

# CONTENT LIST

1.0 Individual parts

2.0 SIDE BROOM

2.1 SIDE BROOM

RECHTS/RIGHT/DROI

2.2 SIDE BROOM

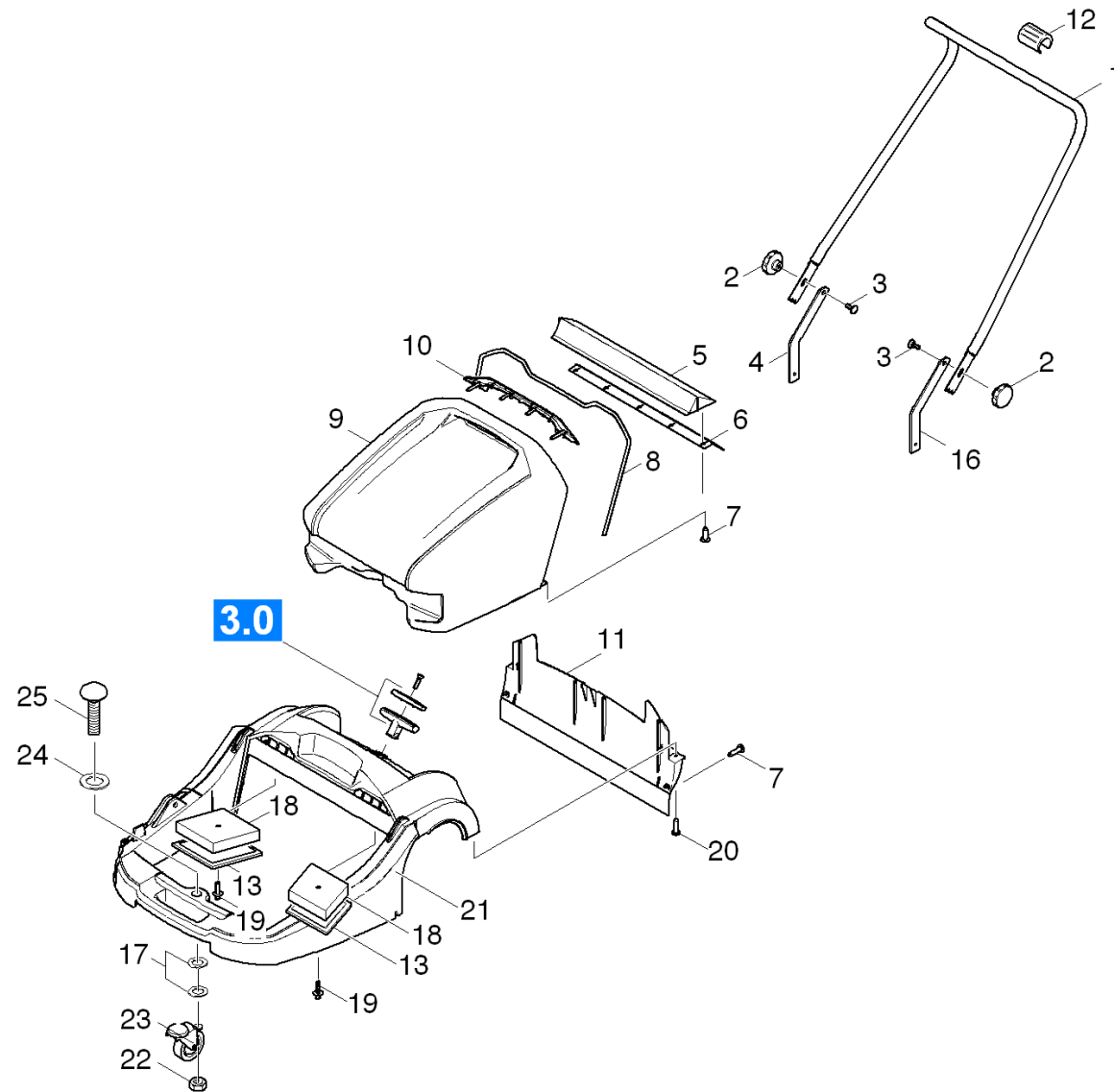
LINKS/LEFT/GAUCHE

3.0 Transmission

4.0 Add-on kit waste gripper

5.0 Shearing shackle

## 1.0 Individual parts



## 1.0 Individual parts

POS	DESCRIPTION ADDITIONAL INFORMATIONS	PART NO	QTY.	FROM SER.NR.	UP TO SER. NR.
1	Tube shearing shackle	51287750	1		
2	TURNING KNOB	63211770	2		
3	Saucer-head screw M8x25-St-AOP DIN 603	73031940	2		
4	Sheet metal component	50589470	1		
5	Holder ground lips sweep tank	69038000	1		
6	Ground lip	69038010	1		
7	Screw 5x16 -10.9-P2R (K-In6Rd)	73031070	7		
8	Seal rubber	53641640	1		
9	Sweep tank complete	40706330	1		
10	COVER	50641630	1		
11	MOULDED PART	50326410	1		
12	CLAMP	63738670	1		
13	Covering cap	50327300	2		
16	Sheet metal component	50589480	1		
17	Washer 10-200HV-A3E ISO 7090	73120050	2		
18	FILTER CARTRIDGE	57316160	2		
19	PLUG	63859340	2		
20	Screw 5x30 -10.9-R2R (K-In6Rd)	73030860	6		
21	Frame	50502440	1		
22	Hexagon nut M10-8-A2E ISO 7040	73115110	1		
23	Castor D=75mm	69660510	1		
24	Washer 10 -100HV-A3E ISO 7094	73122620	1		
25	Saucer-head screw M10x80 -St-AOP DIN 60	73032220	1		

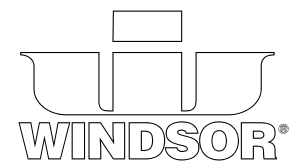
## 2.0 SIDE BROOM

### 2.1 SIDE BROOM

RECHTS/RIGHT/DROI

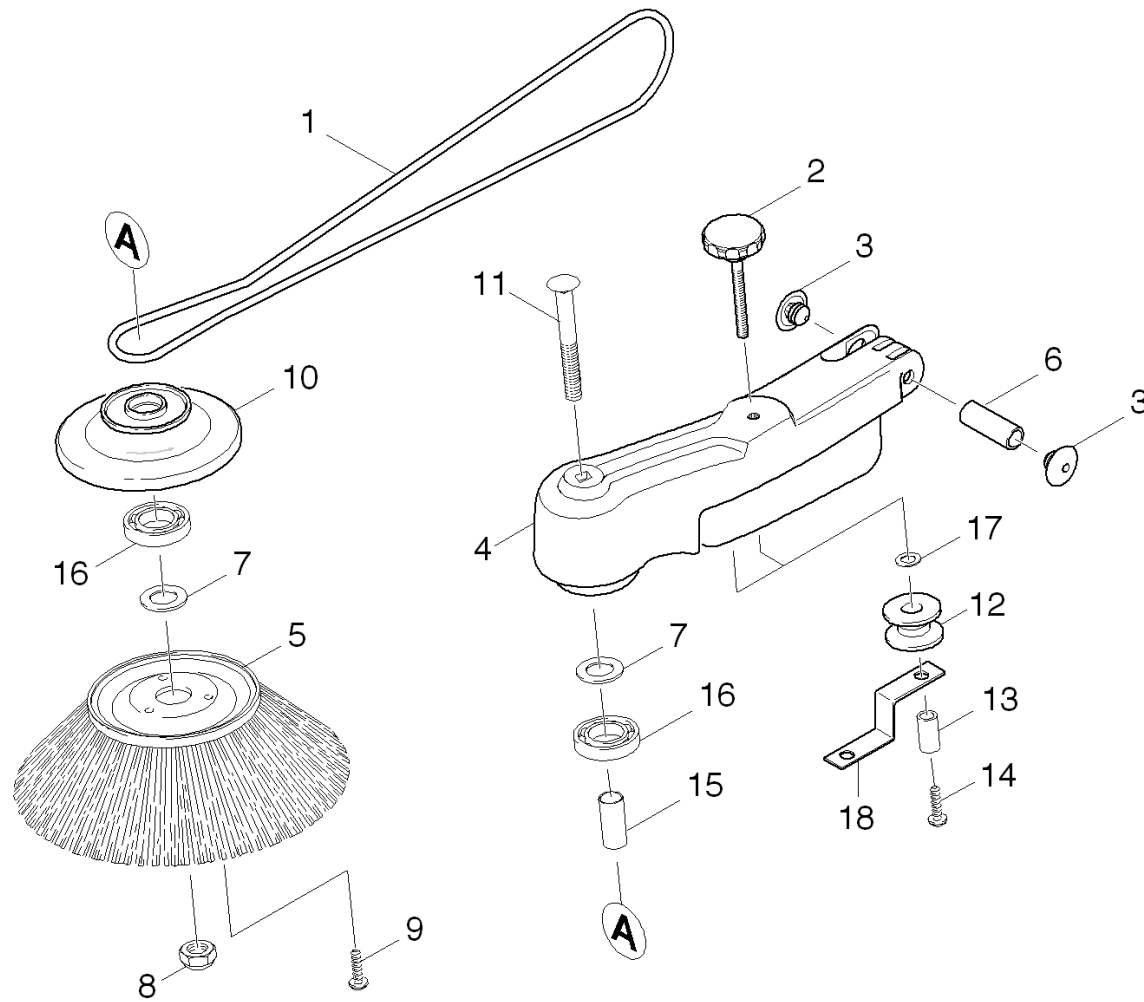
### 2.2 SIDE BROOM

LINKS/LEFT/GAUCHE



## 2.1 SIDE BROOM

### RECHTS/RIGHT/DROI



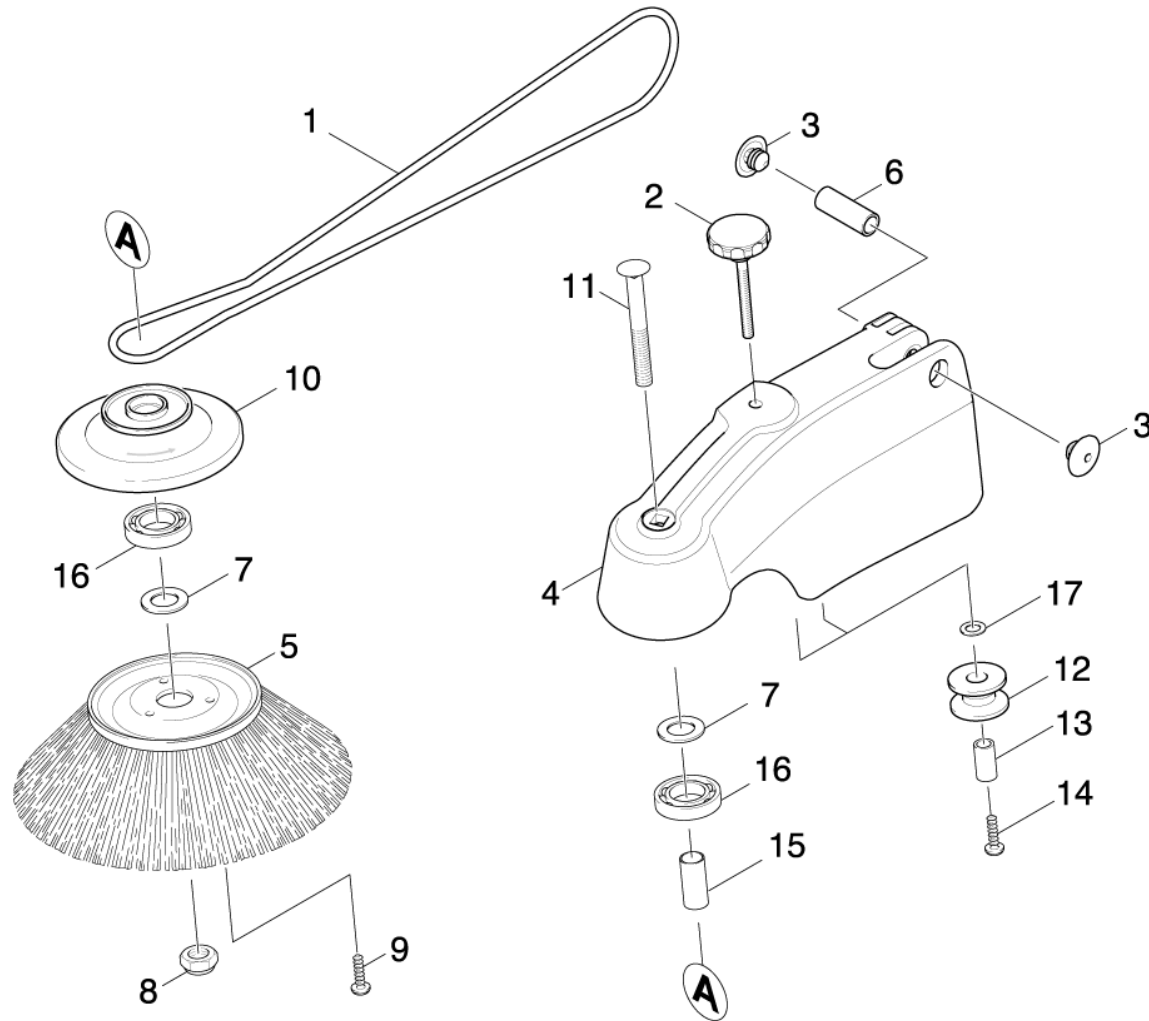
## 2.1 SIDE BROOM

### RECHTS/RIGHT/DROI

POS	DESCRIPTION ADDITIONAL INFORMATIONS	PART NO	QTY.	FROM SER.NR.	UP TO SER. NR.
1	BELT	63482290	1		
2	TURNING KNOB	63211760	1		
3	PLUG	63859350	2		
4	Arm side broom	50326380	1		
5	BROOM	69660050	1		
6	SLEEVE	51161190	1		
7	Washer 10 -160HV-A3E EN28738	73121530	2		
8	Hexagon nut M10-8-A2E ISO 7040	73115110	1		
9	Screw 6x20 -10.9-R2R (In6Rd)	73031120	3		
10	FLANGE	69660020	1		
11	Saucer-head screw M10x130-St-AOP DIN 60	73032080	1		
12	DEFLECTION PULLEY	69660070	2		
13	Tube 10x1,5x16	69660090	2		
14	Screw 6 x 35-ST-10.9-A2R (IN6RD)	73031140	2		
15	Spacer sleeve 12x0,8x31	69660200	1		
16	Ball bearing 6001-2RS-EDELSTAHL DIN 625	74010080	2		
17	Washer 6 -200HV-A2E ISO7093-1	73122760	2		
18	Sheet metal component belt side broom	50613560	1		

## 2.2 SIDE BROOM

### LINKS/LEFT/GAUCHE



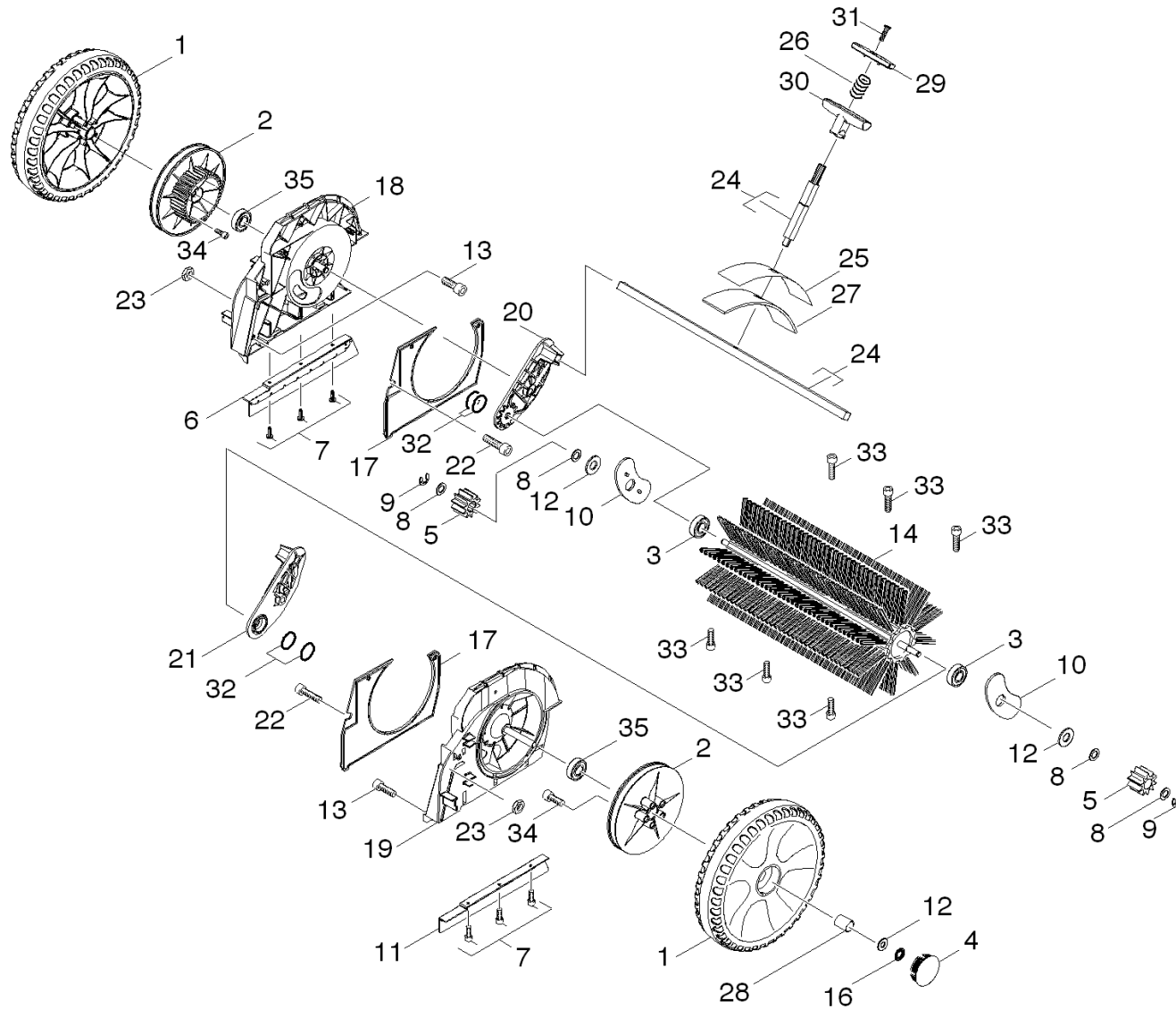


## 2.2 SIDE BROOM

### LINKS/LEFT/GAUCHE

POS	DESCRIPTION ADDITIONAL INFORMATIONS	PART NO	QTY.	FROM SER.NR.	UP TO SER. NR.
1	BELT	63482290	1		
2	TURNING KNOB	63211760	1		
3	PLUG	63859350	2		
4	Arm side broom left	50326710	1		
5	BROOM	69660050	1		
6	SLEEVE	51161190	1		
7	Washer 10 -160HV-A3E EN28738	73121530	2		
8	Hexagon nut M10-8-A2E ISO 7040	73115110	1		
9	Screw 6x20 -10.9-R2R (In6Rd)	73031120	3		
10	FLANGE	69660020	1		
11	Saucer-head screw M10x130-St-AOP DIN 60	73032080	1		
12	DEFLECTION PULLEY	69660070	2		
13	Tube 10x1,5x16	69660090	2		
14	Screw 6 x 35-ST-10.9-A2R (IN6RD)	73031140	2		
15	Spacer sleeve 12x0,8x31	69660200	1		
16	Ball bearing 6001-2RS-EDELSTAHL DIN 625	74010080	2		
17	Washer 6 -200HV-A2E ISO7093-1	73122760	2		

### 3.0 Transmission



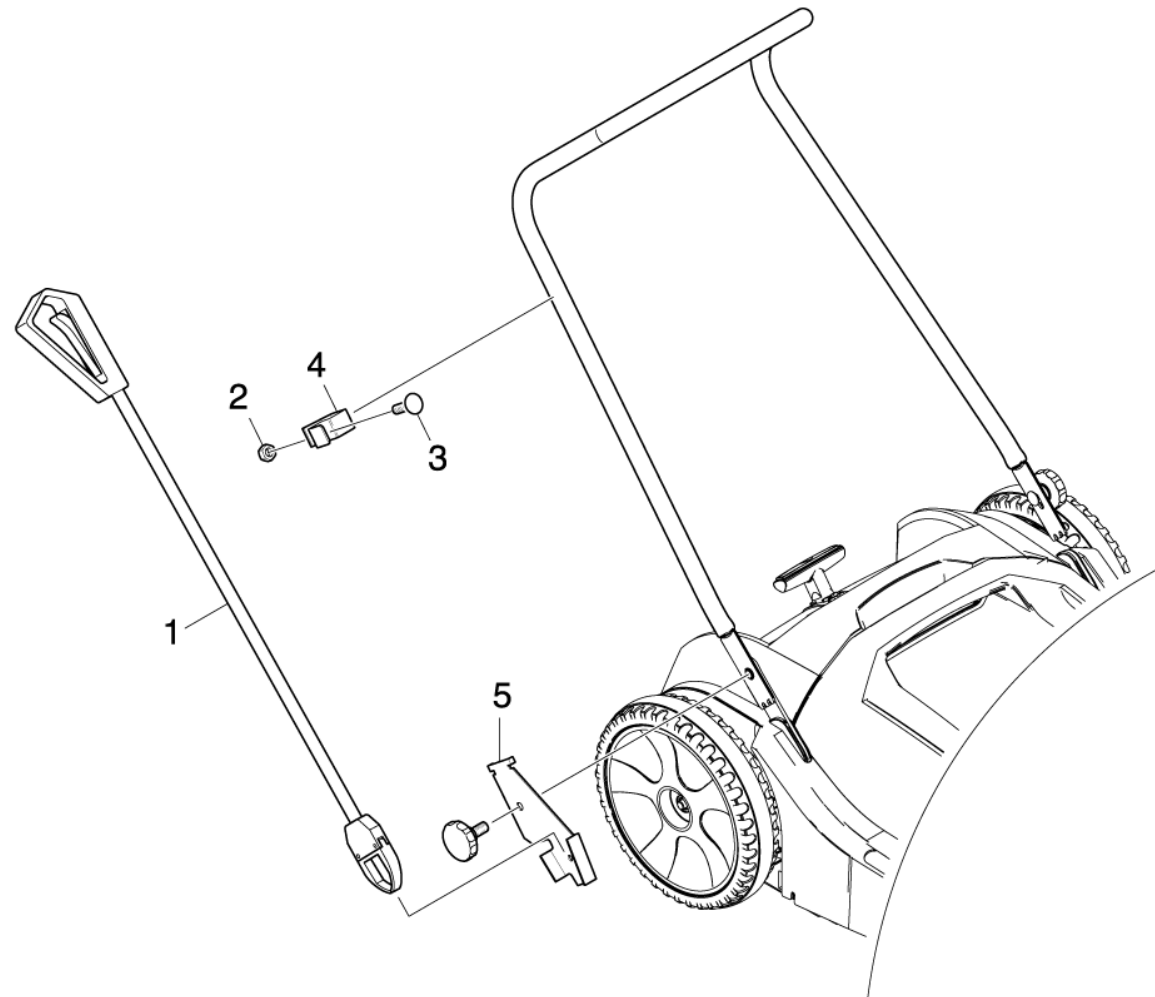
### 3.0 Transmission

POS	DESCRIPTION ADDITIONAL INFORMATIONS	PART NO	QTY.	FROM SER.NR.	UP TO SER. NR.
1	Wheel complete	45152790	2		
2	Belt pulley	56254510	2		
3	Ball bearing 6001-2RS-EDELSTAHL DIN 625	74010080	4		
4	WHEEL CAB YELLOW	53920380	2		
5	Pinion with sprag clutch	43520120	2		
6	Skirting right	53944710	1		
7	Screw 5x16 -10.9-P2R (K-In6Rd)	73031070	6		
8	Shim ring 10x16x0,5-St2K50 DIN988	73432160	8		
9	Lock washer 8 -St-ph DIN 6799	73433020	2		
10	Gasket disc	63653600	2		
11	APRON LINKS	53944720	1		
12	WASHER	51156280	4		
13	Screw 6x25 -10.9-A2R (In6Rd)	73031130	2		
14	Reversing rolling mill	69060410	1		
16	QUICK FASTENER	63431800	2		
17	Covering cap	50326530	2		
18	Axle drum right	50326390	1		
19	Axle drum left	50326440	1		
20	Stub axle right	50326400	1		
21	Stub axle left	50326430	1		
22	Screw M 6x35 -8.8-R3R (In6Rd)	73061180	2		
23	Hexagon nut M6 -04-A2E ISO 4035	73112000	2		
24	square	40211710	1		
25	Seal	53636300	1		
26	HELICAL SPRING	53324810	1		
27	Plate	50082500	1		
28	Plain bearing	64030060	2		
29	BUTTON	53260280	1		
30	HANDLE	53217360	1		
31	Countersunk screw M5x20 -A2-70-s (In6Rd)	73050500	1		
32	O RING	63623660	4		

### 3.0 Transmission

POS	DESCRIPTION ADDITIONAL INFORMATIONS	PART NO	QTY.	FROM SER.NR.	UP TO SER. NR.
33	Screw 5x30 -10.9-A2R (In6Rd)	73032100	6		
34	Screw 5x20 -10.9-R2R (In6Rd)	73031080	10		
35	BALL BEARING	64013630	2		

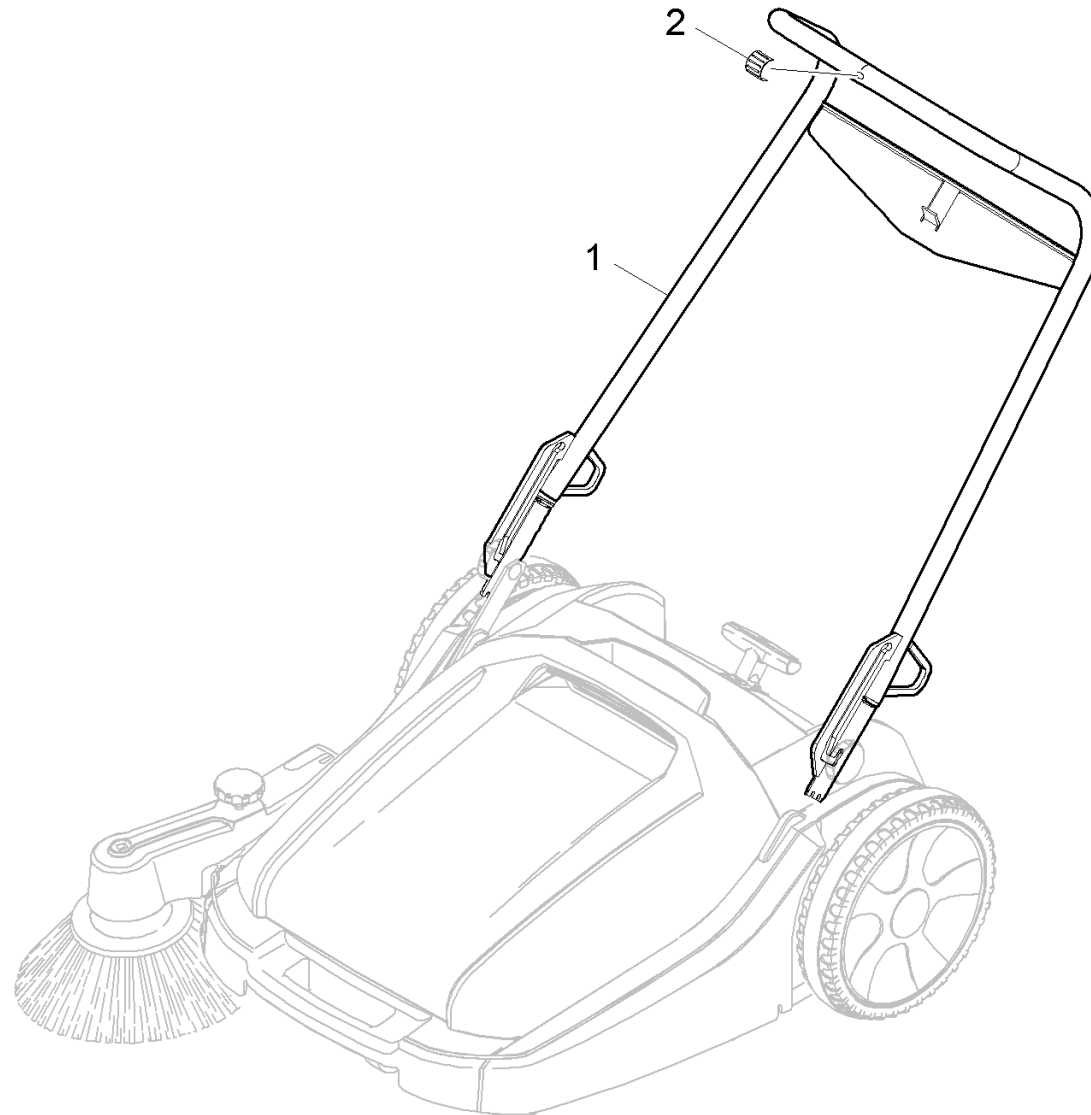
## 4.0 Add-on kit waste gripper



## 4.0 Add-on kit waste gripper

POS	DESCRIPTION <a href="#">ADDITIONAL INFORMATIONS</a>	PART NO	QTY.	FROM SER.NR.	UP TO SER. NR.
1	Accessories waste gripper Greifboy	63699310	1		
2	Hexagon nut M 5-A4-70 ISO 7042	73110290	1		
3	Saucer-head screw M5x16-St-A2R DIN 603	63032240	1		
4	Sheet metal component waste gripper abov	50574480	1		
5	Sheet metal component waste gripper bott	50574470	1		

## 5.0 Shearing shackle



## 5.0 Shearing shackle

POS	DESCRIPTION <a href="#">ADDITIONAL INFORMATIONS</a>	PART NO	QTY.	FROM SER.NR.	UP TO SER. NR.
1	Add-on kit shearing shackle stackable	26409710	1		
2	CLAMP	63738670	1		