

Spare parts list

(14286090) RECOVER 12

2007 01

59707540

EN

CONTENT LIST

1.0 TOP PART

2.0 Tank

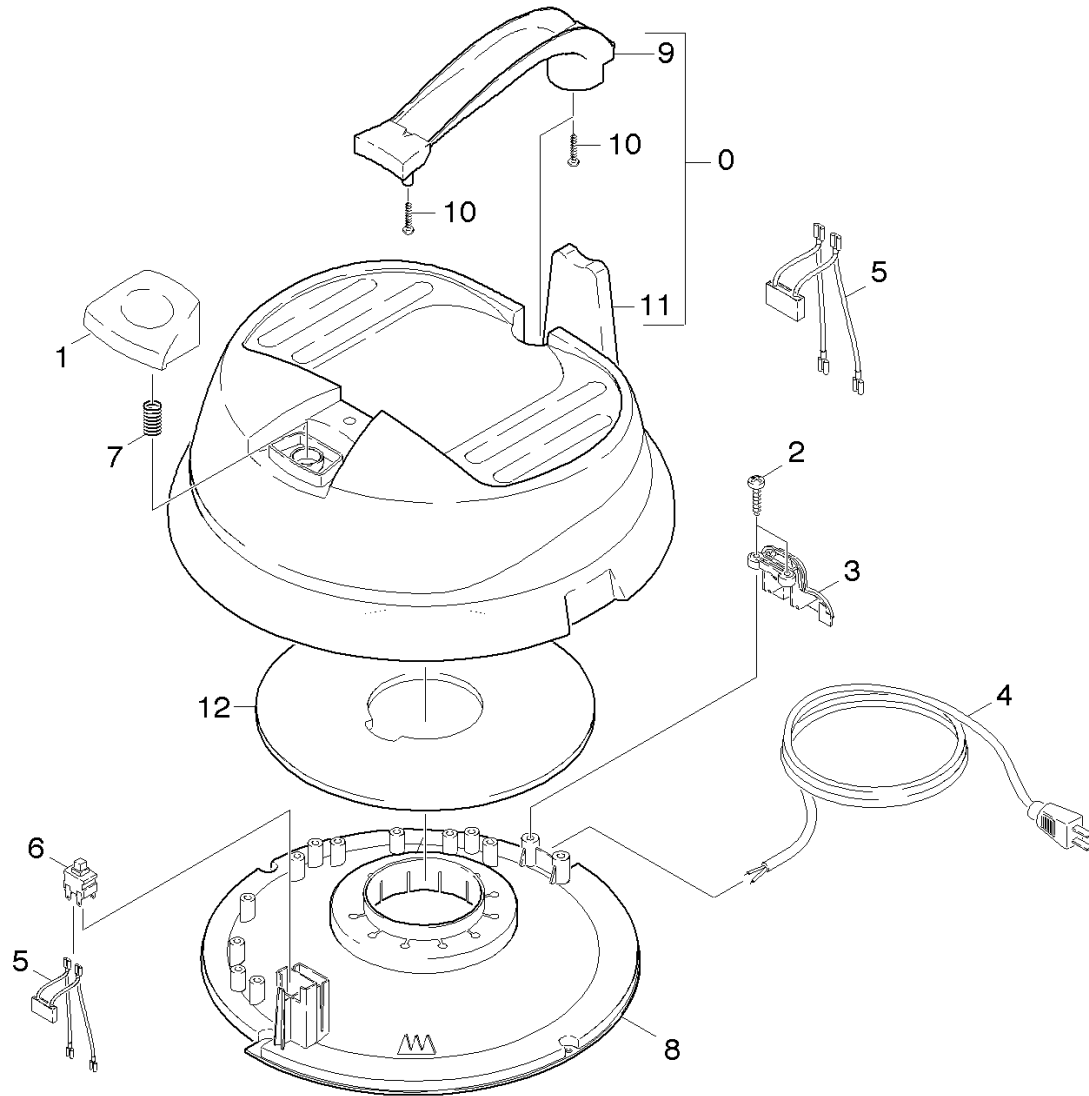
2.1 Tank

2.2 Drain hose

3.0 Vacuum motor

4.0 Accessories

1.0 TOP PART



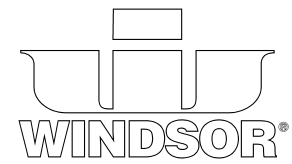
1.0 TOP PART

POS	DESCRIPTION ADDITIONAL INFORMATIONS	PART NO	QTY.	FROM SER.NR.	UP TO SER. NR.
0	Cover complete only for replacement NT 2	40663240	1		
1	CALIPERS	53240400	1		
3	PULL RELIEF	50323630	1		
4	CABLE MIT STECKER	66483700	1		
5	Electrical small parts	48393700	1		
6	SWITCH	66302140	1		
7	Spring switch	53324570	1		
8	Moulded part	50324330	1		
9	Handhold	53217110	1		
10	Screw 4x25 -10.9-R2R (K-In6Rd)	73030840	4		
11	COVER	50690060	1		
12	SOUND INSULATION SET	62864330	1		

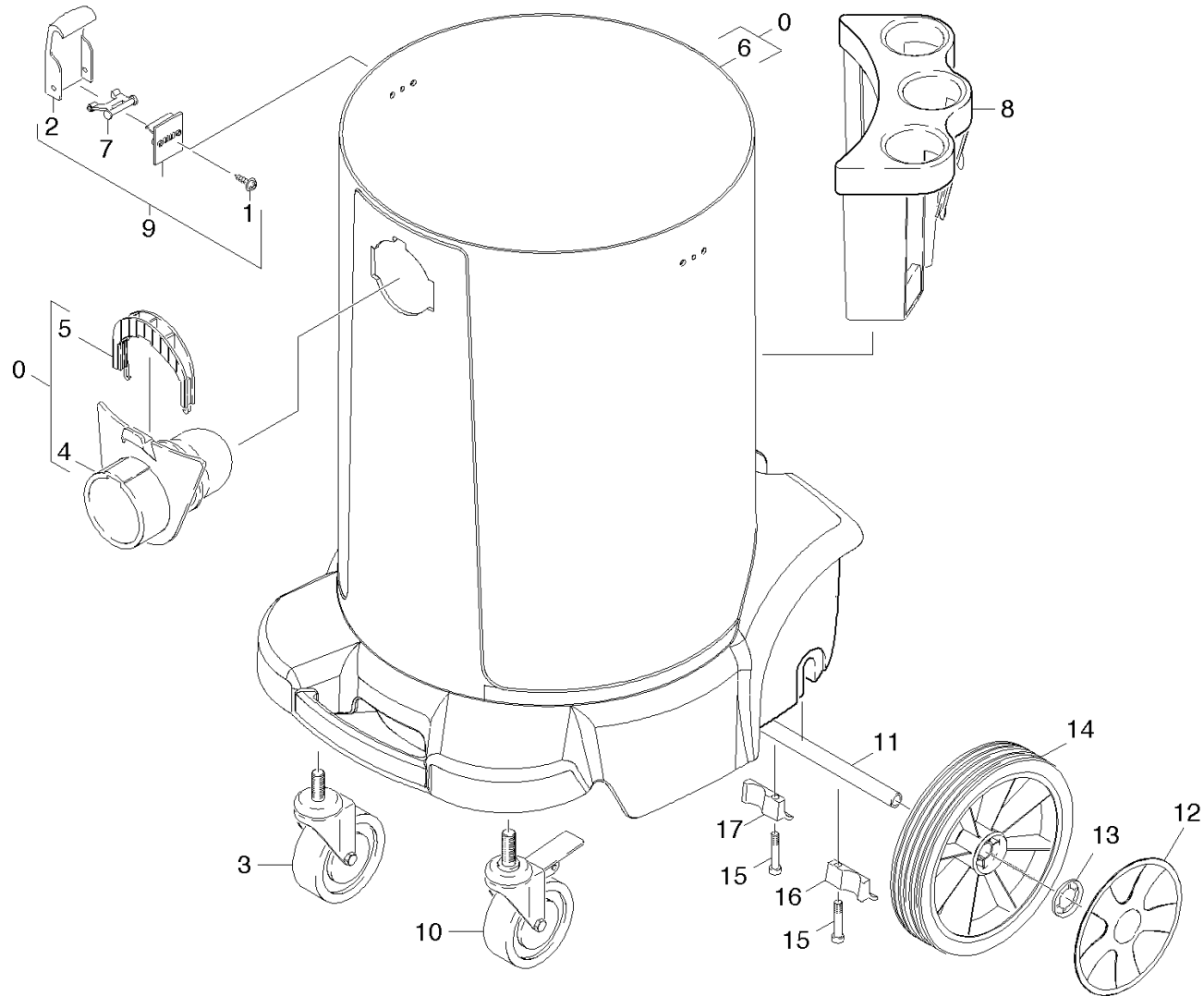
2.0 Tank

2.1 Tank

2.2 Drain hose



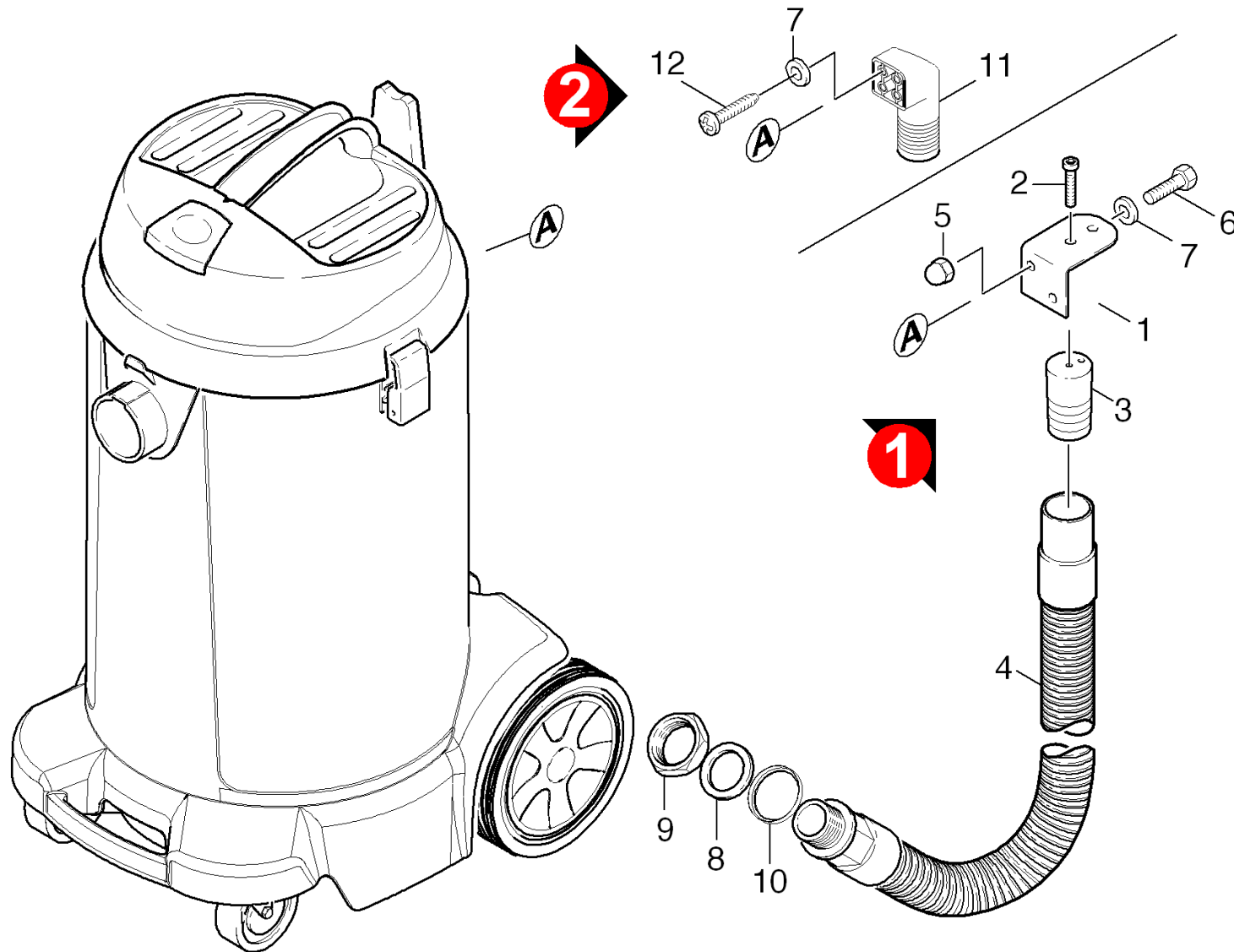
2.1 Tank



2.1 Tank

POS	DESCRIPTION ADDITIONAL INFORMATIONS	PART NO	QTY.	FROM SER.NR.	UP TO SER. NR.
0	Tank complete Recover 12 RAL 5005	40706450	1		
1	Screw 4x12 -10.9-R2R (IN6RD)	73031060	1		
2	LOCKING HOOK	69032920	2		
3	CASTOR 75	64353690	1		
4	IMBOCCO PER CONTENITORE NT 27/1	50323620	1		
5	Holder suction connection	50446360	1		
6	Tank complete Recover 12 RAL 5005	40706450	1		
7	LOCKING JOINT	69032940	2		
8	BRACKET ZUBEHOER	50324300	1		
9	Holder closure only for replacement	69065480	1		
10	CASTOR	64353700	1		
11	Axle	51053670	1		
12	Wheel cab RAL 9005	55153170	2		
13	CHASSIS CLIP	63431680	2		
14	Wheel D200	94817040	2		
15	Screw 5x30 -10.9-R2R (K-In6Rd)	73030860	2		
16	Holder left	50443680	1		
17	Holder right	50443690	1		

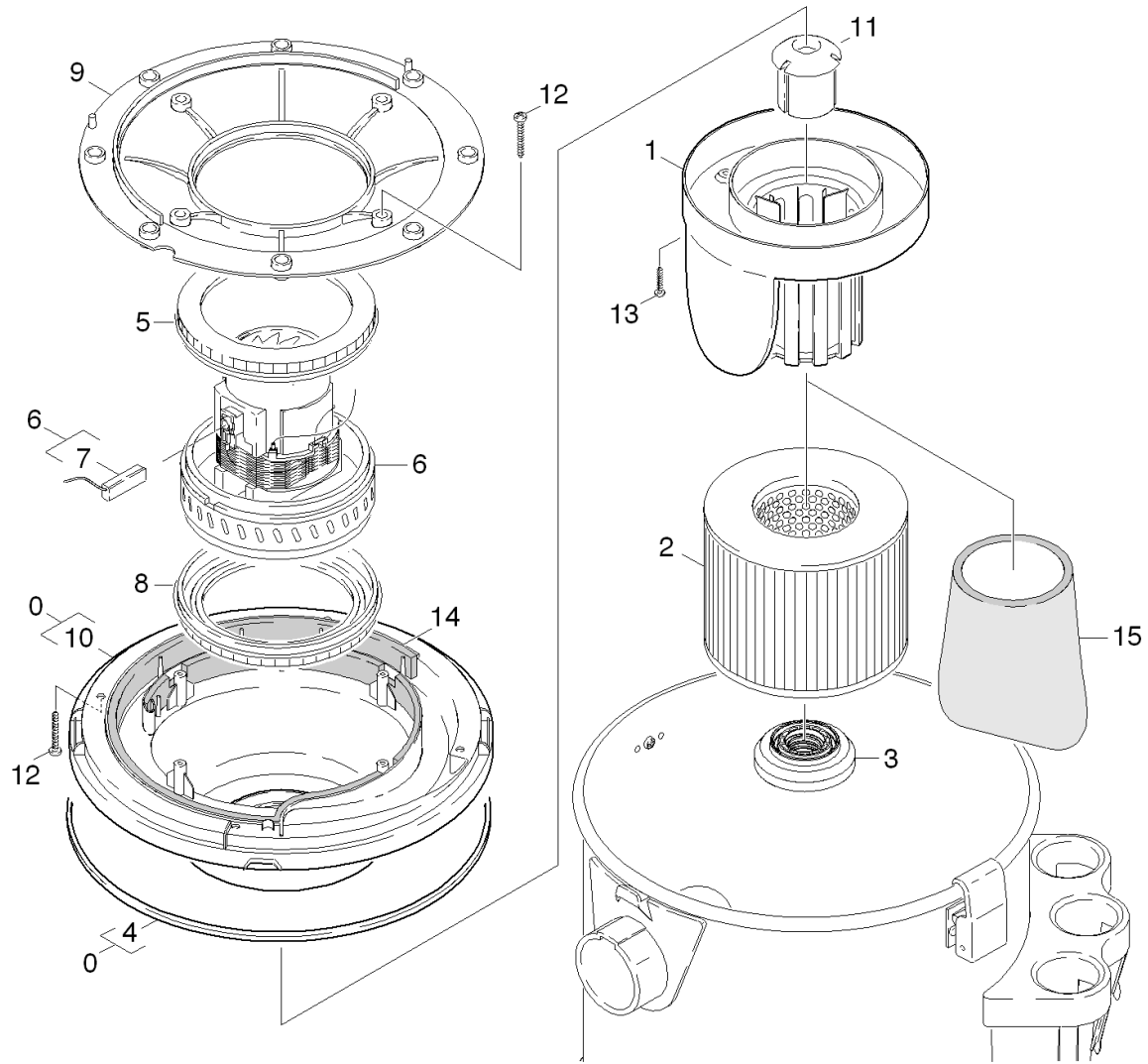
2.2 Drain hose



2.2 Drain hose

POS	DESCRIPTION ADDITIONAL INFORMATIONS	PART NO	QTY.	FROM SER.NR.	UP TO SER. NR.
1	ANGLE VERSION 1	50219560	1		
2	Screw 4x16 -10.9-R2R (K-In6Rd) VERSION 1	73031290	2		
3	Moulded part VERSION 1	50303500	1		
4	Drain hose DN32 L=575mm	63908670	1		
5	Cap nut M 5-A1-50 DIN 1587 VERSION 1	73113850	1		
6	FLAT HEAD SCREW VERSION 1	73064430	2		
7	Washer 5 -A2 ISO 7093-1	73122820	2		
8	Joint ring 32x44	63632500	1		
9	HEX NUT	50319400	1		
10	Ring	94110230	1		
11	Moulded part VERSION 2	94123380	1		
12	SCREW 5X20 VERSION 2	94966220	2		

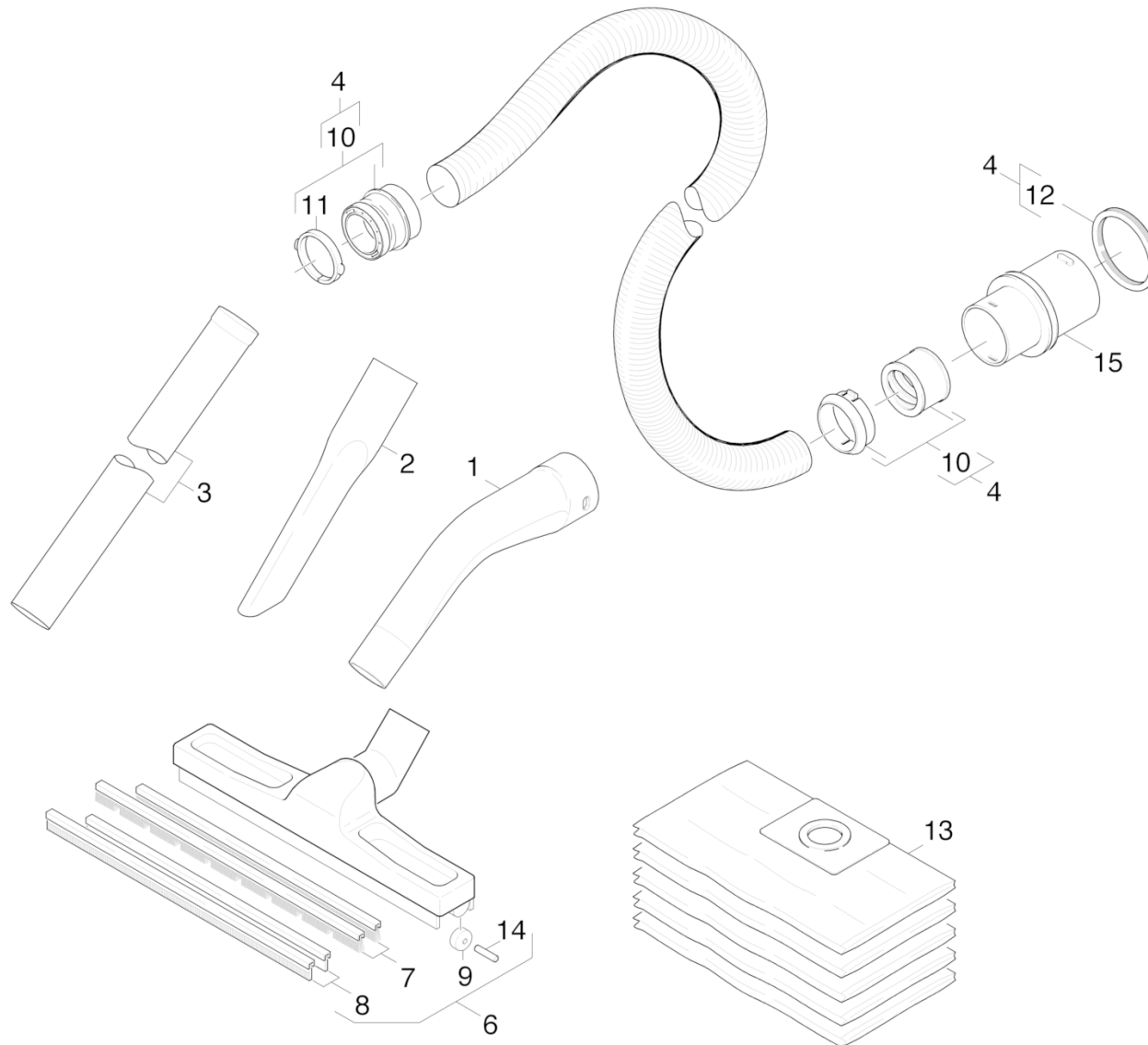
3.0 Vacuum motor



3.0 Vacuum motor

POS	DESCRIPTION ADDITIONAL INFORMATIONS	PART NO	QTY.	FROM SER.NR.	UP TO SER. NR.
0	FLANGIA MOT. NT27/1 PER RIC.	41221220	1		
1	HANDLE	94116310	1		
2	CARTRIDGE FILTER	64147890	1		
3	HANDLE	94119540	1		
4	Seal flange motor	53635860	1		
5	MOTOR SEAL	69033000	1		
6	VACUUM MOTOR 120V	64901770	1		
7	CARBON BRUSH	66102520	2		
8	MOTOR SEAL	69032460	1		
9	Flange water	51224250	1		
10	Flange motor	51224150	1		
11	FLOAT	55850380	1		
12	Screw 4x 35 -10.9-R2R (K-In6Rd)	73030850	8		
13	Screw 4x16-St-10.9-R2R (In6Rd)	73032050	2		
14	SOUND INSULATION SET	62864330	1		
15	Filter	57315950	1		

4.0 Accessories



4.0 Accessories

POS	DESCRIPTION ADDITIONAL INFORMATIONS	PART NO	QTY.	FROM SER.NR.	UP TO SER. NR.
1	ELBOW	50317180	1		
2	Crevice nozzle DN35	69062400	1		
3	SUCTION TUBE	69020460	2		
4	SUCTION HOSE	69062080	1		
6	Floor tool DN35	69065120	1		
7	Brush strips set	69032780	1		
8	PROFILE SEAL	69032770	1		
9	ROLLER	64352920	1		
10	ADD ON KIT	26396900	1		
11	TENSION RING	50317030	1		
12	CELLULAR RUBBER CORD	62732020	1		
13	Filter bags 5St. -NT 65/2 ECO	69042850	1		
14	Axle	64370260	2		
15	CONNECTION PIECE	54434640	1		