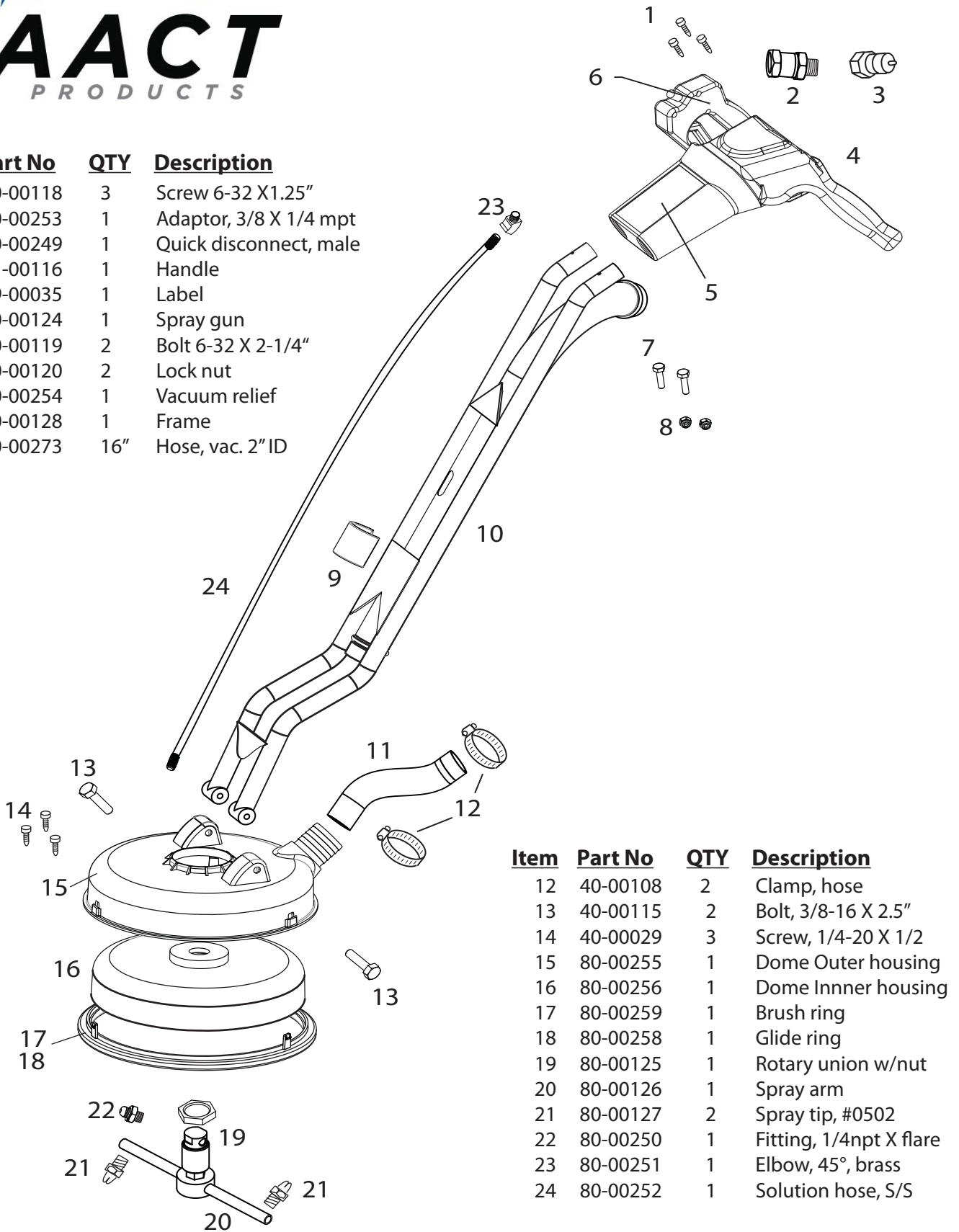




# Hard Surface Tool

Item	Part No	QTY	Description
1	40-00118	3	Screw 6-32 X1.25"
2	80-00253	1	Adaptor, 3/8 X 1/4 mpt
3	80-00249	1	Quick disconnect, male
4	71-00116	1	Handle
5	89-00035	1	Label
6	80-00124	1	Spray gun
7	40-00119	2	Bolt 6-32 X 2-1/4"
8	40-00120	2	Lock nut
9	80-00254	1	Vacuum relief
10	80-00128	1	Frame
11	80-00273	16"	Hose, vac. 2" ID



Item	Part No	QTY	Description
12	40-00108	2	Clamp, hose
13	40-00115	2	Bolt, 3/8-16 X 2.5"
14	40-00029	3	Screw, 1/4-20 X 1/2
15	80-00255	1	Dome Outer housing
16	80-00256	1	Dome Inner housing
17	80-00259	1	Brush ring
18	80-00258	1	Glide ring
19	80-00125	1	Rotary union w/nut
20	80-00126	1	Spray arm
21	80-00127	2	Spray tip, #0502
22	80-00250	1	Fitting, 1/4npt X flare
23	80-00251	1	Elbow, 45°, brass
24	80-00252	1	Solution hose, S/S