

# Xtract 200

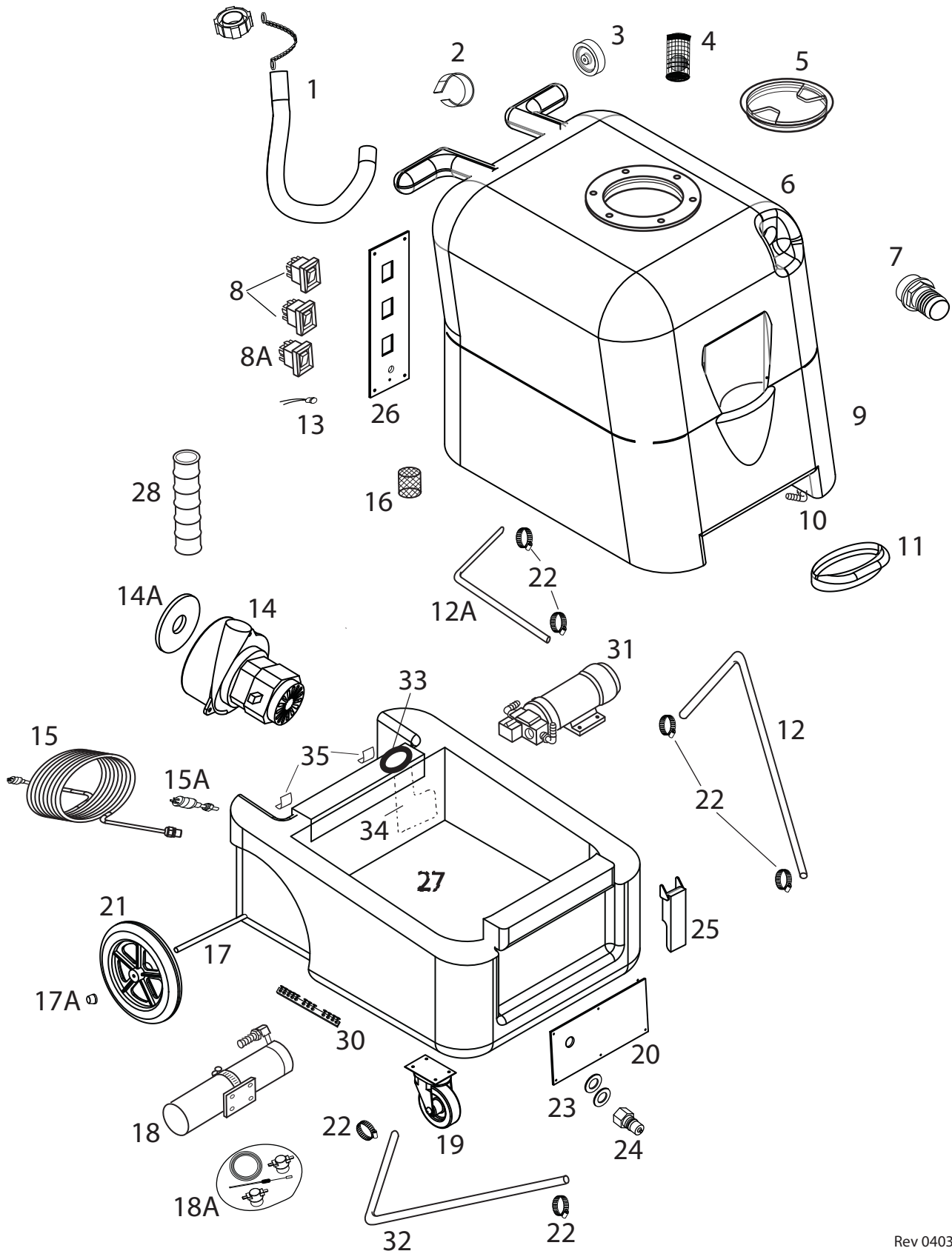
## Part List

120V

<u>Item</u>	<u>Part No.</u>	<u>QTY</u>	<u>Description</u>
1	80-00180	1	Hose, drain, with cap
2	80-00178	1	Hook & Loop strap, for wand hold-down
3	80-00142	2	Wheel, 3"
4	80-00162	1	Ball Float, vac shut-off
5	80-00038	1	Clear lid with mounting plate
6	71-00104	1	Recovery tank, specify model
7	80-00130	1	Hose barb, 1-1/2" vac hose
8	50-00003	2	Switch, pump & vacuum
8A	50-00004	1	Switch, heat
9	88-00010	1	Solution tank, specify model
10	80-00102	1	Hose Barb/Elbow 90°
11	80-00150	1	Lid, solution tank
12	80-00231	1	Hose, pump to heater, 3/8" ID X 48"
12A	80-00027	1	Hose, tank to pump, 25"
13	50-00163	1	Green light
14	51-00004	1	Vacuum motor, 3-stage
14A	80-00182	1	Gasket, vacuum, 5" OD
15	50-00042	2	Power cord, 25 ft
15A	50-00043	2	Power cord pigtail
16	50-00062	1	Filter, pump inlet
17	80-00212	1	Axle
17A	40-00036	2	Axle cap
18	88-00012	1	Heater, complete
18A	30-00145	1	Repair kit, complete, for heater
19	80-00131	2	Caster
20	80-00185	1	Plate
21	80-00172	2	Wheel, 12 inch
22	40-00044	8	Hose clamp
23	40-00020	2	Washer high temp.
24	80-00051	1	Quick disconnect, male, 1/4
25	80-00181	2	Latch
26	80-00190	1	Switch plate
27	71-00102	1	Base compartment, specify model
28	80-00120	1	Hose, wire reinforced
30	50-00052	2	Terminal block
31	60-00006	1	Solution pump, 200 psi
32	80-00169	1	Hose, heater to outlet, 20"
33	80-00184	1	Gasket, vacuum exhaust 2-1/2" OD
34	71-00117	1	Manifold, vacuum
35	80-00177	2	Strikes for latches

# XTRACT 200

Heated 120V



Rev 040312